

IP65 : Suitable for Wet Locations
 IK10 : Impact Resistant (Vandal Resistant)

UTA-95371 - T2 - T3 - T4 - T5

Tango cylindrical pendant downlight HP LED Type II, III, IV, V

Tango pendant luminaire with a selection of beam distributions for various downward lighting requirements. The Tango is unique as it is available with Type II, III, IV & V light distribution options that facilitates wider spacing and even light distribution between the light fixtures. Providing higher energy saving and reduced installation costs.

They are suitable for many applications such as; residential and pedestrian areas, shopping malls, parks and gardens, as well as commercial, historic or modern architectural interiors and exteriors. The luminaires have features such as long life, limited maintenance and constant lifetime performance.

The luminaires use a high quality LED source with low energy consumption and long service life 50,000-80,000 hours.

The luminaire is rated as class I with the high power LED integral driver. Low copper content die-cast aluminum housing and frame. Single cable entry. Housing is treated with a chemical chromated protection before powder coating, ensuring high corrosion resistance. Anodized high purity aluminum reflector

High power LED with three different beam distribution options in 2700K, 3000K and 4000K.



Physical Data

Diameter: 7.32"

Height: 10.82"

Weight: 8.1 lbs

Lamp (Please Specify)

- 20w - White - LED ☉ Type II, III, IV & V Distribution Options
- 28w - White - LED ☉ Type II, III, IV & V Distribution Options
- 38w - White - LED ☉ Type II, III & IV Distribution Options
- 40w - White - LED ☉ Type V Distribution Only

LED Color (Please Specify)

- W27 - 2700K
- W30 - 3000K
- W40 - 4000K

Distribution Type (Please Specify)

- T2 - Type II
- T3 - Type III
- T4 - Type IV
- T5 - Type V - 20w/28w/40w Only

Type V Beam - 20w/28w/40w Only

- N - Narrow: 14° Degree
- M - Medium: 24° Degree
- W - Wide: 40° Degree

Voltage (Please Specify)

- 120V
- 277V
- Other _____

Options (Please Specify)

Color (Please Specify)

- 01-Black - RAL 9011
- 02- Dark Grey - RAL 7043
- 03-White - RAL 9003
- 04 - Metallic Silver - RAL 9006
- 05-Matt Silver - RAL 9006
- 07- Custom - RAL _____
- 06-Bronze - RAL 6014



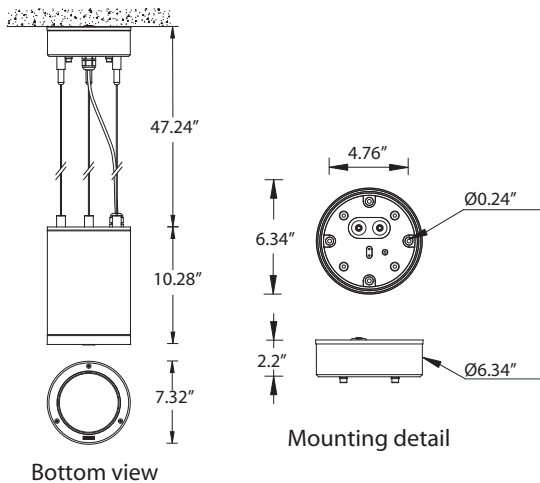
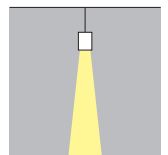
- F - Frosted Lens

- AC- Custom aircraft cable length _____ ft

- RPS- Rigid stem pendant with swivel mount for 4" square junction box mounting. Specify stem length _____ ft

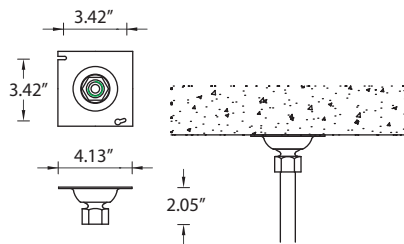
- RPR- Rigid stem pendant with swivel mount for 4" round junction box mounting. Specify stem length _____ ft

- DIM - 0 - 10v Dimming

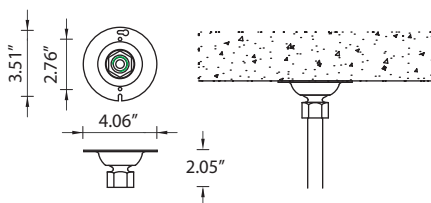


Bottom view

Mounting detail



Swivel Canopy Pendant Square- A90321



Swivel Canopy Pendant Round - A90421

Ordering Example : UTA - 95371 - White- 20w - W30 - T2 - 120v - Options

PROJECT: _____ DATE: _____

TYPE: _____ QUANTITY: _____ NOTE: _____

Ligman Lighting USA reserves the right to change specifications without prior notice, please contact factory for latest information. Due to the continual improvements in LED technology data and components may change without notice.

