

ULB-40435

LBX 1 Recessed - Constant Voltage

(LLTH # ULB-40437)

LIGMAN
LIGHTING USA



Construction

Aluminum Casting

Less than 0.1% copper content - Marine Grade 6060 extruded & LM6 Aluminum High Pressure die casting provides excellent mechanical strength, clean detailed product lines and excellent heat dissipation.

Pre paint

8 step degrease and phosphate process that includes deoxidizing and etching as well as a zinc and nickel phosphate process before product painting.

Memory Retentive -Silicon Gasket

Provided with special injection molded "fit for purpose" long life high temperature memory retentive silicon gaskets. Maintains the gaskets exact profile and seal over years of use and compression.

Thermal management

LM6 Aluminum is used for its excellent mechanical strength and thermal dissipation properties in low and high ambient temperatures. The superior thermal heat sink design by Ligman used in conjunction with the driver, controls thermals below critical temperature range to ensure maximum luminous flux output, as well as providing long LED service life and ensuring less than 10% lumen depreciation at 50,000 hours.

BUG Rating

B0 - U1 - G0

Surge Suppression

Standard 10kv surge suppressor provided with all fixtures.

Finishing

All Ligman products go through an extensive finishing process that includes fettling to improve paint adherence.

Paint

UV Stabilized 4.9Mil thick powder coat paint and baked at 200 Deg C. This process ensures that Ligman products can withstand harsh environments. Rated for use in natoriums.

Hardware

Provided Hardware is Marine grade 316 Stainless steel.

Anti Seize Screw Holes

Tapped holes are infused with a special anti seize compound designed to prevent seizure of threaded connections, due to electrolysis from heat, corrosive atmospheres and moisture.

Opal Borosilicate Glass Lens

Provided with opal borosilicate impact resistant glass.

Optics & LED

Precise optic design provides exceptional light control and precise distribution of light. LED CRI > 80

Lumen - Maintenance Life

L80 /B10 at 50,000 hours (This means that at least 90% of the LED still achieve 80% of their original flux)

Contemporary wayfinding fixture for glare free visual comfort. Sophisticated design, with minimal footprint and available with optional surrounds and supply solutions.

A range of square recessed wall luminaires, with an indirect optical system, offering high vandal resistance. Suitable for indoor or outdoor applications for use in shopping malls and pedestrian areas as a decorative wall guide light. Main characteristics are low glare and the limited maintenance concept.

The luminaires are a high quality SMD (LED's) source with low energy consumption and long service life 60,000 - 80,000 Hrs. Fixture is secured to the recessing box using a hidden screw that provides vandal resistant fixture installation.

A remote driver is provided as a standard for outdoor applications. Contractor to provide remote mount waterproof box. This fixture can be provided with a Ligman waterproof box, selected below in options.

As an option, this product can be provided with an integrated driver in the galvanized recessing box, however this is for use in indoor/dry locations only.

Galvanized recessing box supplied standard.

Available in turtle friendly amber and white 2700K, 3000K, 3500K and 4000K.

Note : The LBX black and dark grey paint finish are not recommended due to low light output. This fixture is suitable for concrete pour applications.

All Ligman fixtures can be manufactured using a special pre-treatment and coating process that ensures the fixture can be installed in natoriums as well as environments with high concentrations of chlorine or salt and still maintain the 5 year warranty. For this natorium rated process please specify NAT in options.

This is a constant voltage fixture. It can support one driver for multiple fixtures. Contractor to establish driver requirements based on fixture count and watt usage. This fixture is non dimming.

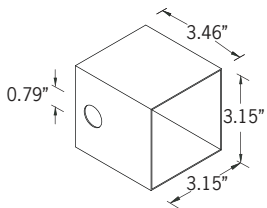
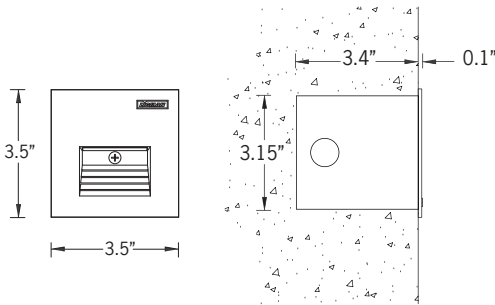


2w LED 39 Lumens

IP65 • Suitable For Wet Locations

IK07 • Impact Resistant (Vandal Resistant)

Weight .66 lbs

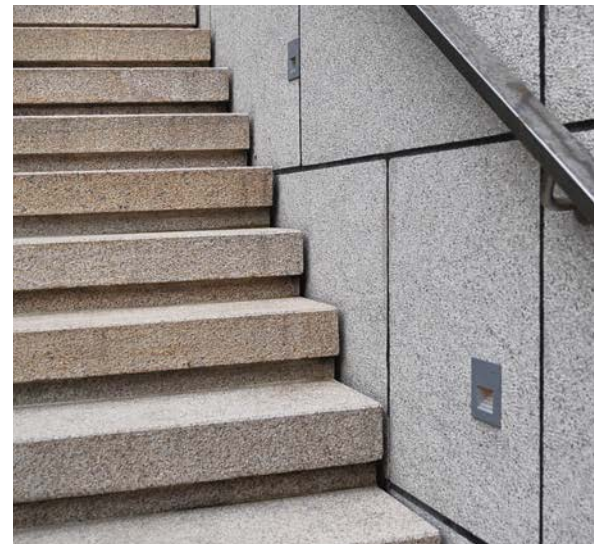


Recessing Box

Additional Options (Consult Factory For Pricing)



A80191
3" x 10" Remote Enclosure Box



ULB-40435

LBX 1 Recessed - Constant Voltage

(LLTH # ULB-40437)

| | | | |
|----------------|--|-------------|--|
| PROJECT | | DATE | |
|----------------|--|-------------|--|

| | | | | | |
|-----------------|--|-------------|--|-------------|--|
| QUANTITY | | TYPE | | NOTE | |
|-----------------|--|-------------|--|-------------|--|

ORDERING EXAMPLE || ULB-40435 - 2w - W30 - 02 - 120/277V

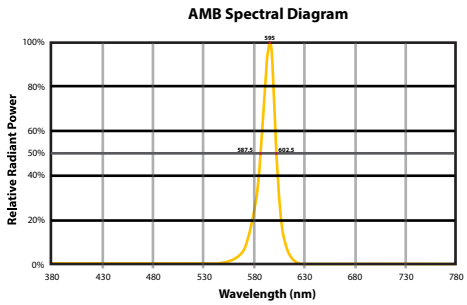
| | | | | |
|---------------------|--|---|---------------------------------|--|
| ULB-40435 | | | | |
| LAMP | LED COLOR | FINISH COLOR | VOLTAGE | |
| 2w LED 39 Lumens | W27 - 2700K W30 - 3000K W35 - 3500K W40 - 4000K | 01 - BLACK RAL 9011 02 - DARK GREY RAL 7043 03 - WHITE RAL 9003 04 - METALLIC SILVER RAL 9006 05 - MATTE SILVER RAL 9006 06 - LIGMAN BRONZE 07 - CUSTOM RAL | 120/277v Other - Specify | |

| | | |
|--|--|--|
| | | |
|--|--|--|

ADDITIONAL OPTIONS

- NAT - Natatorium Rated
- AMB - Turtle Friendly Amber LED
- A80191 - Remote Enclosure Box [Required for Wet Locations]
- ID - Integrated Driver [Indoor Dry Location Only]

CITY OF FLAGSTAFF & TURTLE FRIENDLY COMPLIANT



Narrow-Spectrum Amber LEDs
 Peak wavelength between 585 & 595 nanometers and a full width of 50% power no greater than 15 nanometers.

LBX Product Family



LBX 1

• ULB-40435-2w-39lm



LBX 5

• ULB-10851-14w-453lm [4"x4", 17.7"]



LBX 6

• ULB-10842-21w-900lm [6.3"x6.3", 31.4"]



LBX 7

• ULB-10861-27w-1553lm [7.3"x7.3", 31.4"]