

Four-Light Bath & Vanity

Wall or ceiling mounted • Damp location listed



Description:

Create harmony in a variety of environments with Balance's clean design and environmentally friendly architectural styling. Soft acrylic lens and a brushed nickel finish are highlights of the four-light Energy Star LED fixture. Fixtures can be wall or ceiling mounted. Can be installed vertically or horizontally. 3000K, 90+ CRI, 623 lumens per module (source).

Specifications:

- Brushed Nickel (-09) (plated)
- Steel Construction
- White acrylic diffuser
- Clean design.
- Environmentally friendly architectural styling.
- 623 lumens 69.2 lumens/watt per module (source)
- 3000K color temperature, 90+ CRI.
- Dimmable to 10% brightness (See Dimming Notes)
- Back plate covers a standard 4" octagonal recessed outlet box
- Mounting plate for outlet box included
- 6" of wire supplied
- ENERGY STAR® qualified

Performance:

| | |
|------------------------|---|
| Number of Modules | 4 |
| Input Power | 9w per module |
| Input Voltage | 120 V |
| Input Frequency | 60 Hz |
| Lumens/LPW (Source) | 623/69.2 (LM-82) per module |
| Lumens/LPW (Delivered) | 1290.15/42.3 (LM-79) |
| CCT | 3000 K |
| CRI | 90 CRI |
| Life (hours) | 60,000 (L70/TM-21) |
| FCC | Meets FCC Title 47, Part 15 Class B |
| Min. Start Temp | -30 °C |
| Max. Operating Temp | 30 °C |
| Warranty | 5 year warranty |
| Labels | cCSAus Damp location listed ENERGY STAR® qualified |

P2094-0930K9

Images:



Dimensions:

Width: 22"
Depth: 3"
Height: 5"
H/CTR: 2-1/2"

Glass
Width: 2-1/8"
Length: 20-7/8"
Height: 5"

Photometrics:

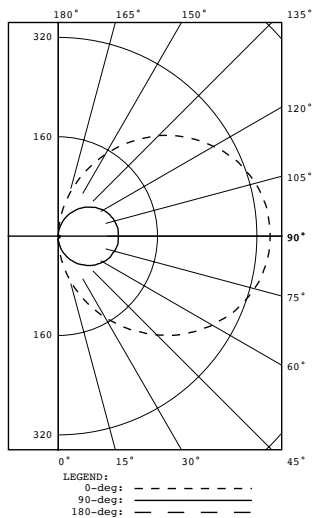
P2094-0930K9

| | |
|------------------------|-------------------------------------|
| ELECTRICAL DATA | P2094-0930K9 |
| Input Voltage | 120 V |
| Input Frequency | 60 Hz |
| Input Current | 0.3 A |
| Input Power | 9 |
| Power Factor | Greater than 0.90 |
| THD | <20% |
| FCC | Meets FCC Title 47, Part 15 Class B |
| Operating Temperature | -30 °C to 30 °C |
| Dimming | Yes* |

*See Dimming Notes for more information

P2094-0930K9

LED Light Engine: 3000 K 90 CRI
 System Wattage: 9
 Fixture delivered lumens: 1290.15
 Fixture Efficacy: 42.3
 Spacing Criteria:



Test 15.00816 Test Date 05/19/15

CANDELA DISTRIBUTION

| CANDELA | DISTRIBUTION | | | FLUX | | |
|---------|--------------|------|------|-------|-------|-----|
| | 0.0 | 45.0 | 90.0 | 135.0 | 180.0 | |
| 0 | 4 | 4 | 4 | 4 | 4 | |
| 5 | 22 | 17 | 9 | 5 | 4 | 1 |
| 15 | 73 | 55 | 24 | 7 | 4 | 9 |
| 25 | 125 | 94 | 39 | 9 | 4 | 24 |
| 35 | 176 | 132 | 54 | 11 | 4 | 45 |
| 45 | 225 | 167 | 67 | 12 | 4 | 70 |
| 55 | 268 | 198 | 78 | 14 | 3 | 96 |
| 65 | 303 | 224 | 88 | 15 | 3 | 119 |
| 75 | 327 | 242 | 94 | 15 | 2 | 136 |
| 85 | 340 | 251 | 97 | 15 | 2 | 145 |
| 90 | 342 | 252 | 97 | 15 | 2 | |
| 95 | 340 | 251 | 97 | 15 | 2 | 146 |
| 105 | 329 | 243 | 94 | 15 | 3 | 137 |
| 115 | 305 | 225 | 88 | 15 | 3 | 119 |
| 125 | 271 | 200 | 78 | 13 | 2 | 96 |
| 135 | 229 | 169 | 66 | 11 | 1 | 70 |
| 145 | 179 | 132 | 52 | 9 | 1 | 44 |
| 155 | 124 | 92 | 37 | 6 | 0 | 23 |
| 165 | 70 | 52 | 20 | 3 | 0 | 8 |
| 175 | 16 | 11 | 4 | 0 | 0 | 1 |
| 180 | 0 | 0 | 0 | 0 | 0 | |

ZONAL LUMEN SUMMARY

| ZONE | LUMENS | %FIXT |
|--------|--------|-------|
| 0-30 | 35 | 2.7 |
| 0-40 | 80 | 6.2 |
| 0-60 | 245 | 19.0 |
| 0-90 | 645 | 50.1 |
| 90-120 | 402 | 31.1 |
| 90-130 | 497 | 38.6 |
| 90-150 | 612 | 47.4 |
| 90-180 | 644 | 49.9 |
| 0-180 | 1289 | 100.0 |

P2094-0930K9

Dimming Notes:

P2094 is designed to be compatible with many ELV/Reverse Phase controls.

The following is a partial list of known compatible dimmer controls.

Dimming Controls

Lutron Nova T NTELV-300

Lutron Vierti VTELV-600

Lutron Ariadni AYCL-153P

Lutron Diva DVCL-153P

Lutron Maestro MAELV-600

Lutron spacer/system SPSELV-600

Leviton Renoir II AWRMG-EAW

Dimming capabilities will vary depending on the dimmer control, load, and circuit installation. Always refer to dimmer manufacturer instructions or a controls specialist for specific requirements.

Dimmer control brand names where identified above are trade names or registered trademarks of each respective company.