

# P8005 Series

6" Pro-Optic® LED  
 Wall Wash Downlight

## SPECIFICATIONS:

### General

- 6" commercial grade LED wall wash utilizing remote phosphor technology to obtain color consistency, energy savings, and low maintenance costs
- Suitable for commercial, retail or other institutional applications with ambient temperatures up to 35°C(95°F)

### Housing

- One piece 22 gauge non-corrosive steel platform
- Wall Wash orientation may be field adjusted in 90° increments to housing
- Light commercial bar hangers included. Universal adjustable mounting brackets also accept 1/2" EMT or lathing channel (by others)
- Pre-wired J-box with snap on cover for easy access
- Approved for 8 (4 in/4 out) No. 12 AWG conductors rated for 90°C through wiring
- Snap in connections from driver compartment allow easy installation of LED trim assembly without tools above or below ceiling
- Standard with ballast disconnect
- Can be upgraded to accommodate technology improvements

### Reflector

- High purity aluminum Alzak, iridescence suppressed, semi-diffuse reflector
- Self-flanged trim standard
- White painted self-flanged trim (-28) option available

### LED Light Engine

- Uses Philips Fortimo DLM Gen 4 1100 lumen or 2000 lumen LED modules
- >50,000 hrs at 70% lumen maintenance
- 80 CRI in 30K, 35K or 40K CCT
- Remote phosphor LED technology utilizes high-brightness royal blue LEDs allowing phosphor lens to be exposed to less heat degradation than traditional LEDs
- Provides more controlled color consistency fixture to fixture and over life
- Energy efficient providing 50 LPW delivered from fixture
- High purity aluminum reflector in white or Alzak. Painted white flange standard.

### LED Driver

- Driver is designed to match the 50,000 hour minimum life expectancy of the system
- Meets UL Class 2, inherent short circuit protection, self limited, overload protected
- Integrated thermal feedback loop will gradually reduce current to protect system life
- Universal driver 120V-277V

### Dimming

- Flicker-free 0 – 10V dimming to 10%

### Labeling

- cCSAus certified to US and Canadian standards
- Suitable for wet locations
- 5 year warranty

CATALOG NUMBER: \_\_\_\_\_

## SAMPLE: P8005-EBG4

Housing	Description	Voltage	Version
P8005- EB	6" LED Wall Wash	blank - 120V - 277V	G4- 4th Generation

## SAMPLE: P8006-21A/30KG4

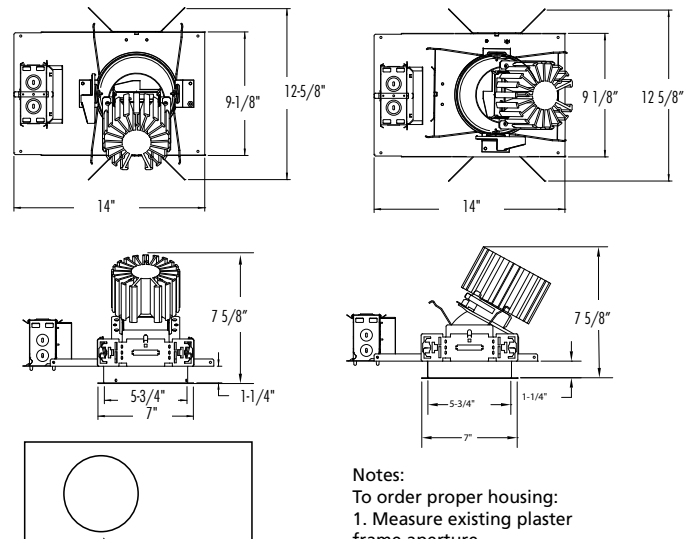
Base	ReflectorFinish	Color Temp	Version
P8006 -1100 Lumens	21A - Clear Alzak	30K - 3000K	G4- 4th Generation
P8051-2000 Lumens	22A - Gold ALzak	35K - 3500K	
	28 - White	40K - 4000K	

### Images:



### Ceiling Cutout: See Guide

#### STANDARD ORIENTATION FIELD CONFIGURABLE ORIENTATION



- Notes:  
 To order proper housing:  
 1. Measure existing plaster frame aperture  
 2. Use Compatibility Guide for selecting hsg

Performance:	P8006-21A/30KG4	P8051-21A/30KG4
Input Voltage	120/277V	120/277V
Input Frequency	50/60Hz	50/60Hz
Input Current	0.12A (120V) 0.52A (277V)	0.22A (120V) 0.10A (277V)
Input Power	14.5W	26.5W
Constant Current Output	200-1000mA	200-1000mA
Power Factor	≥0.90	≥0.90
THD	<20%	<20%
EMI Filtering	FCC 47CFR PART 15, CLASS A	FCC 47CFR PART 15, CLASS A
Operating Temperature	-20° C to 40° C	-20° C to 40° C
Dimming	0-10V	0-10V

Over-voltage, over-current, short-circuit protected  
Power consumption and photometric output may vary with HDM or 2DM driver option

## Dimming Notes:

Dimming 0-10V 100% to 10%

Pro-Optic LED driver is compatible with 0-10V type dimming controls. Recommended dimming controls are listed below.

Control Manufacturer	Wallbox Dimmer	Power Booster Available
Douglas Lighting controls	WPC 5721	
Entertainment Technology	Tap Glide TG600FAM120 (120V) Tap Glide Heatsink TGH1500FAM120 (120V) Oasis OA2000FAMU (120/277V)	
Honeywell, Inc.	EL 7315A1019 and EL7315A1009	EL7305A1010
HUNT Dimming	Preset Slide: PS-010-IV-120V and PS-010-WH-120V Preset Slide: PS-010-3W-IV-120V and PS-010-3W-WH-120V Preset Slide: PS-010-IV-277V and PS-010-WH-277V Preset Slide: PS-010-3W-IV-277V and PS-010-3W-WH-277V Preset Slide, controls FD-010: PS-IFC-010-IV- and PS-IFC-010-WH-120/277V Preset Slide, controls FD-010: PS-IFC-010-3W-IV- and PS-IFC-010-3W-WH-120/277V Remoted mounted unit: FD-010-120V and FD-010-277V	
Lehigh Electric Products Co.	Solitaire	PBX
Leviton Lighting Controls Div.	Leviton Centura Fluorescent Control System IllumaTech™ IP7 Series	CN100 PE300
Lutron Electronics Co., Inc.	Visit <a href="http://www.lutron.com/advance">www.lutron.com/advance</a> for the latest control information and selection	
PDM Electrical products	WPC-5721	
Starfield Controls	TR61 with DALI interface port	RT03 DALI net router
The Watt Stopper, Inc.	LS4 used with LCD-101 and LCD-103	