

P8215 Series

8" Pro-Optic® LED
High Output



SPECIFICATIONS:

General

- 8" commercial grade LED downlight utilizing remote phosphor technology to obtain color consistency, energy savings, and low maintenance costs
- The P8215 is specifically designed to retrofit into ceilings with existing downlights without the need to removed the existing fixture
- 50,000 hours minimum life up to 25°C (75° F) in open plenum applications

Housing

- All components are made from quality die cast aluminum or galvaneal steel.
- Pre-wired J-box with snap-on cover for easy access.
- Snap-in connection from driver compartment allows easy installation of light engine/ trim assembly without tools above or below the ceiling
- Approved for 8 (4 in/4 out) No. 12 AWG conductors rated for 90°C through wiring

Reflector

- High purity aluminum Alzak, iridescence suppressed, semi-diffuse reflector
- Self-flanged trim standard
- White painted self-flanged trim (-28) option available

LED Light Engine

- The P8215 uses the Philips Fortimo DLM LED Module with remote phosphor technology. This technology provides controlled color consistency from fixture to fixture
- The system is designed for optimal life and lumen maintenance (>50,000 hours at 70% lumen maintenance)
- Both reflector and light engine assembly are mechanically retained to housing. The light engine comes standard with 80 CRI for all CCT's

LED Driver

- Driver is designed to match the 50,000 hour minimum life expectancy of the system
- Meets UL Class 2, inherent short circuit protection, self limited, overload protected
- Integrated thermal feedback loop will gradually reduce current to protect system life
- Universal driver 120V-277V

Dimming

- Flicker-free 0 – 10V dimming to 10%

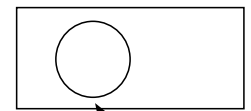
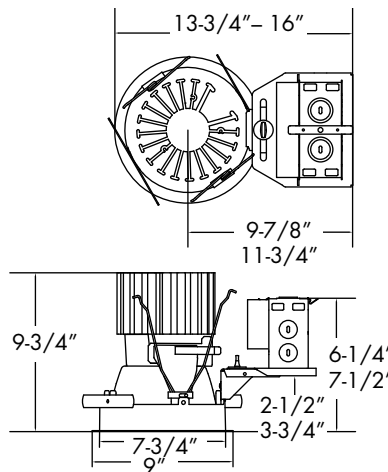
Labeling

- cCSAus certified to US and Canadian standards
- Suitable for wet locations
- 5 year warranty

Images:



Ceiling Cutout: See Guide



Dimensions shown are for the diameter of the frame flange at it's narrowest point.

- Notes:
 To order proper housing:
 1. Measure existing plaster frame aperture
 2. Use Compatibility Guide for selecting hsg

*Dimensions shown are for range of adjustability.

Maximum Ceiling Thickness: 1-1/4"

CATALOG NUMBER:

SAMPLE: P8215-EB120VG4

Housing	Description	Voltage	Version
P8215 - EB	8" LED High Output	120V - 120Volts	G4- 4TH GENERATION
P8215 - EBSD	8" LED High Output Remodel	277V - 277Volts	

SAMPLE: P8120-21A/30KG4

Base	ReflectorFinish	Color Temp	Flange Options	Version
P8120 -3000 Lumens	21A - Clear Alzak	30K - 3000K	WF- Wide Flange*	G4- 4TH GENERATION
	22A - Gold ALzak	35K - 3500K		
	28 - White	40K - 4000K		

* (only for small Diameter housings)

Performance:

Input Voltage	120/277V
Input Frequency	60Hz
Input Current	0.33A (120V) 0.14A (277V)
Input Power	39W
Constant Current Output	.3-1.0A
Power Factor	≥0.90
THD	<20%
EMI Filtering	FCC 47CFR PART 15, CLASS A
Operating Temperature	-20° C to 35° C
Dimming	0-10V

Over-voltage, over-current, short-circuit protected

Power consumption and photometric output may vary with HDM or 2DM driver option

Dimming Notes:

Dimming 0-10V 100% to 10%

Pro-Optic LED driver is compatible with 0-10V type dimming controls. Recommended dimming controls are listed below.

Control Manufacturer	Wallbox Dimmer	Power Booster Available
Douglas Lighting controls	WPC 5721	
Entertainment Technology	Tap Glide TG600FAM120 (120V) Tap Glide Heatsink TGH1500FAM120 (120V) Oasis OA2000FAMU (120/277V)	
Honeywell, Inc.	EL 7315A1019 and EL7315A1009	EL7305A1010
HUNT Dimming	Preset Slide: PS-010-IV-120V and PS-010-WH-120V Preset Slide: PS-010-3W-IV-120V and PS-010-3W-WH-120V Preset Slide: PS-010-IV-277V and PS-010-WH-277V Preset Slide: PS-010-3W-IV-277V and PS-010-3W-WH-277V Preset Slide, controls FD-010: PS-IFC-010-IV- and PS-IFC-010-WH-120/277V Preset Slide, controls FD-010: PS-IFC-010-3W-IV- and PS-IFC-010-3W-WH-120/277V Remoted mounted unit: FD-010-120V and FD-010-277V	
Lehigh Electric Products Co.	Solitaire	PBX
Leviton Lighting Controls Div.	Leviton Centura Fluorescent Control System IllumaTech™ IP7 Series	CN100 PE300
Lutron Electronics Co., Inc.	Visit www.lutron.com/advance for the latest control information and selection	
PDM Electrical products	WPC-5721	
Starfield Controls	TR61 with DALI interface port	RT03 DALI Inet router
The Watt Stopper, Inc.	LS4 used with LCD-101 and LCD-103	

Photometrics:

P8120-21A/30KG4

P8215-EB120VG4 with P8120-21A/30KG4

LED Light Engine: 3000K, 80 CRI
 System Wattage: 38.8W
 Fixture Delivered Lumens: 2834
 Fixture Efficacy: 73.0
 Spacing Criteria: 1.2

ZONAL LUMEN SUMMARY

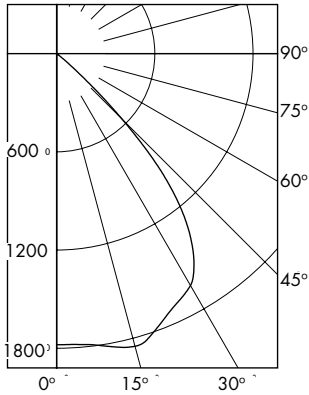
ZONE	LUMENS	%LUMINAIRE
0-30	1593	56.2
0-40	2575	90.9
0-60	2831	99.9
0-90	2834	100.0
90-180	0	0.0
0-180	2834	100.0

LUMINANCE DATA IN CANDELA/SQ. METER

Angle in Vertical	Average
45°	8196
55°	806
65°	219
75°	0
85°	0

CANDELA DISTRIBUTION

DEG	CANDELA	LUMENS
0	1773	
5	1805	172
15	1786	512
25	1976	909
35	1647	982
45	188	241
55	15	14
65	3	3
75	0	0
85	0	0
90	0	



COEFFICIENTS OF UTILIZATION Zonal Cavity Method

Room Cavity Ratio	% Effective Ceiling Cavity Reflectance														
	80%			70%			50%			30%			10%		
	20% Effective Floor Cavity Reflectance														
	% Wall Reflectance														
	70	50	30	10	70	50	30	10	50	30	10	50	30	10	
1	113	110	107	105	111	108	106	103	104	102	100	100	99	97	
2	107	102	97	94	105	100	96	93	97	93	91	94	91	89	
3	101	94	88	84	99	92	87	83	90	86	82	87	84	81	
4	95	87	81	76	93	86	80	76	83	79	75	81	77	74	
5	89	80	74	69	88	79	73	69	77	72	68	76	71	68	
6	84	74	68	63	83	74	67	63	72	67	62	71	66	62	
7	79	69	62	58	78	68	62	58	67	61	57	66	61	57	
8	75	64	58	53	73	64	57	53	63	57	53	61	56	53	
9	71	60	53	49	69	59	53	49	58	53	49	57	52	49	
10	67	56	50	45	66	56	49	45	55	49	45	54	49	45	

P8215-EB120VG4

Test No. 8463

P8120-21A/30KG4

Test No. 8463

Tested at 25°C Ambient in accordance to IESNA LM-79-2008