



CUSTOM LOW VOLTAGE LIGHTING

LED Trim Line Step Light

SERIES **RN12LED**

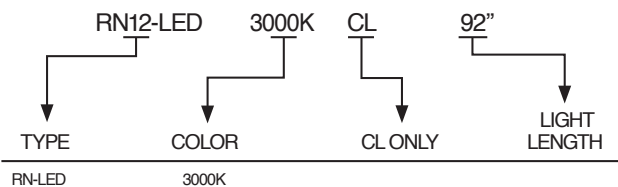
- Slim, trim, and easy to conceal contour of continuous light
- Custom lengths manufactured to the inch nearest 1/4 inch
- Maximum fixture length is 15 feet
- 12v DC for economical power use
 - 50,000 hour average lifetime
- Completely dimmable light system
 - Dimmable and Non-Dimmable drivers are available
 - Drivers are installed remotely with secondary wiring running back to the light locations.
- Housing is white extruded UV stabilized plastic
- Can be mounted with mounting clips (included), VHB tape or sealant/adhesive
- UL 94-V0 flammability rated
- Lead wires are 18", unless ordered longer

The RN 12 Trim line is our smallest profile fixture. The little package provides an abundance of rich light in a highly manageable form. These characteristics make the RN 12 an excellent choice as a concealed light source for any bookcase, fixtures/display, or cabinet application.

SIGNAGE:



ACTUAL SIZE



ORDER/SPECIFY BY CATALOG NUMBERS



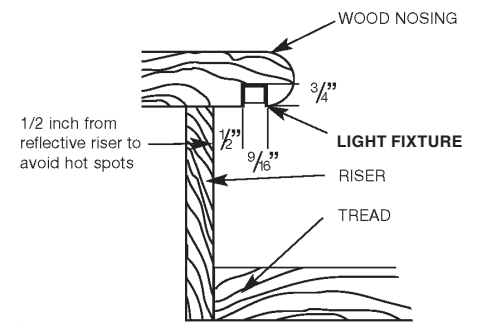
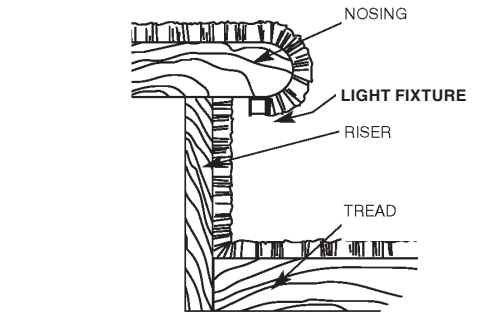


CUSTOM LOW VOLTAGE LIGHTING

LED Trim Line Step Light

SERIES RN12LED

	DESCRIPTION	RATING	NOTES
NON DIM	36w. Dimmable -Magnetic, 120v/ 12v DC	UL/3R	ETL System Listed with RSL LEDs
	60w. Dimmable -Magnetic, 120v/ 12v DC	UL/3R	ETL System Listed with RSL LEDs
	240w. Dimmable -Magnetic, 120v/ 12v DC	ETL/3R	ETL System Listed with RSL LEDs
	60w. Dimmable – 277v Driver	UL/3R	Call for pricing - Allow 3 weeks for delivery
NON DIM DIM.	35w. Indoor/Outdoor LED Driver	UR	Non-Dimmable
	60w. Indoor/Outdoor LED Driver	UR	Non-Dimmable



Custom fabricated fixtures are manufactured to the exact dimension required. Each LED fixture is built with an 18" lead wire from one end. NOTE: various fixtures permit the client to specify from which end the lead wires exit. The maximum fixture length for any type is 15 feet (180 inches.) (Please consult with an RSL representative for solutions on extra-long lengths.) When pricing, always round up to the nearest half foot.

12 VOLT	Driver Power – Fixture Length Max RSL's recommended fixture lengths/driver			
	3.4 Watts	1.9 Watts	1.5 Watts	
NON DIM	36w. Driver	8'	15'	19'
	60w. Driver	14'	25'	32'
	240w. Driver (4-60w. drivers)	56'	101'	128'
NON DIM DIM.	35w. Driver	8'	14'	18'
	60w. Driver	14'	25'	32'

TEMP (K)	COLOR	BRIGHTNESS LUMENS/FOOT	LED SPACING	CRI	POWER CONSUMPTION WATTS/FT.
2700K	WARM WHITE	94	16.7 mm/.66"	80+	1.5
2700K-HB	WARM WHITE-HB	124	8.3 mm/.5"	80+	1.9
3000K	SOFT WHITE	117	16.7 mm/.66"	80+	1.5
3000K-HB	SOFT WHITE-HB	121	12.8 mm/.5"	80+	1.9
4000K	NEUTRAL WHITE	129	16.7 mm/.66"	80+	1.5
6500K	DAYLIGHT WHITE	126	16.7 mm/.66"	80+	1.5
6500K-HB	DAYLIGHT WHITE-HB	165	12.8 mm/.5"	80+	1.9

■ Other colors available, call RSL for details.



ROBERTS STEP-LITE SYSTEMS ■ 8100 SW 15th St. ■ Oklahoma City, OK 73128
 info@robertsstemplite.com ■ www.robertsstemplite.com
 405.728.4895 ■ 800.654.8268 ■ F: 405.728.4878

