

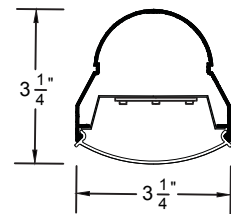
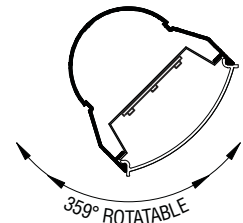
Accentra™ Series - LED



Catalog Number	Type
Project Name	

ACC - LED

3 1/4" x 3 1/4" Direct Rotatable (359°)



S P E C I F I C A T I O N S

Housing

One-piece, .063" thick extruded aluminum with locking provisions on both ends. Die-cast aluminum support modules and end plates are secured with no visible fasteners. Standard lengths are 2', 3', 4', 6' and 8'. Provisions may be made for patterns and continuous rows.

Finish

Standard and premium finishes are baked powder coat electrostatically applied (2.0 mil minimum thickness) to assure aesthetics and durability. Standard finish for stems and canopies is white.

Optical Control

(LOH) LED optimized high transmittance extruded snap-in acrylic lens.

Reflector

.040" thick die-formed aluminum finished with a high reflectance white enamel.

Circuitry

All fixtures are factory pre-wired for a single circuit. Provision for multiple switching/circuiting is optional.

Controls

Contact factory for control by Occupancy Sensors, Photo Controls and Daylight Harvesting.

Driver (Standard)

Osram-Sylvania "Optotronic" power supply is UL/CUL recognized, 0-10V dimming available, 120-277 universal voltage.

Light Engine (Standard)

Osram-Sylvania LED modules available for 3000K, 3500K and 4000K CCT:

HO - High Output

*3326 Total Delivered Lms. at 42 System Watts (Values per 4' using 3500K LED modules)

MO - Medium Output

*2106 Total Delivered Lms. at 24 System Watts (Values per 4' using 3500K LED modules)

Driver (Tunable White)

EldoLED power supply is UL recognized, DALI, 0-10V or DMX available, 120-277 universal voltage.

Light Engine (Tunable White)

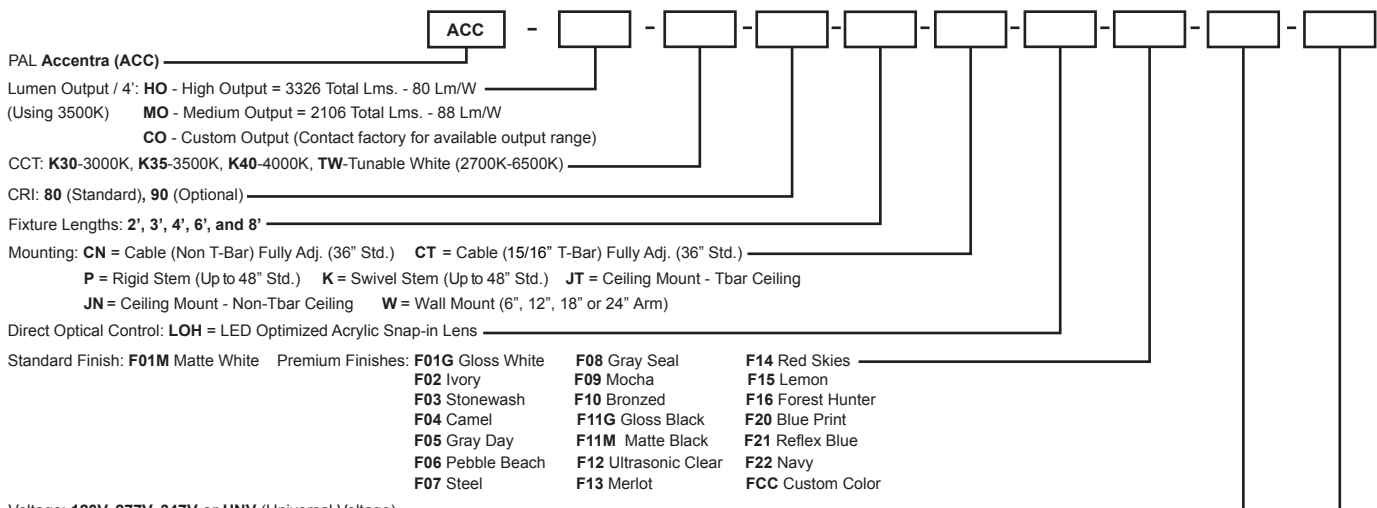
Tunable White LED light source available for 2700K thru 6500K CCT, and 80 or 90 CRI. Contact factory for available outputs.

*Due to continued advancement in LED technology, lumen performance is subject to change. Please visit our website for the most up-to-date information.

Certification

All fixtures are ETL listed conforming to UL/CUL standards and are suitable for use in dry or damp locations.

Sample Catalog Number: ACC - HO - K40 - 80 - 4 - CN - LOH - F01M - 120 - DIM1



Voltage: 120V, 277V, 347V or UNV (Universal Voltage)

Options: **NLCKT** = Night-Light Circuit (Common Neutral) **EMCKT** = Emergency Circuit (Separate Hot & Neutral) **EBPLST** = Self-Testing Battery Pack (6 Watt) (*N/A for 2' or 3')

EBPHST = Self-Testing Battery Pack (10 Watt) (*N/A for 2' or 3') **DALI** = DALI Protocol Driver (Tunable White) **DMX** = DMX Protocol Driver (Tunable White)

0-10V/TW = 0-10V Driver (Tunable White) **DIM1** = Dimming - to 1% (Std.) **DIM0** = Dimming - to 0% (Dark) **FS** = Fused Drivers **DL** = Damp Location



Suspended/Ceiling/Wall Mount

ACC-HO-K35-LOH



High Output

LED Optimized High Transmittance Lens

Catalog Number: ACC-HO-K35-80-4'-X-LOH-120

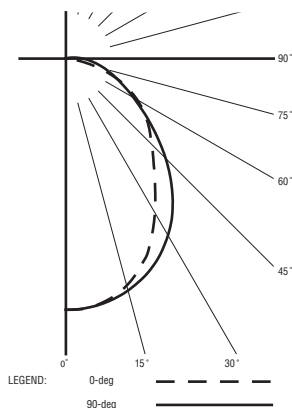
Report Number: ITL#80856.ies

Luminaire Description: Extruded Aluminum Housing with White Aluminum Reflector and LED Optimized Acrylic Lens with Insert

LED Module: Multiple White Low-Power Light Emitting Diodes (LEDs) in a precise lay-out.

Total Luminaire Efficacy = 80.1 Lm/W

Color Rendering Index (CRI) = 83



ZONAL LUMEN SUMMARY

Zone	Lumens	%Fixture
0- 30	1016	30.5
0- 40	1602	48.2
0- 60	2620	78.8
0- 90	3284	98.8
90- 180	42	1.2
0- 180	3326	100.0

CANDELA DISTRIBUTION

	0.0	22.5	45.0	67.5	90.0
0	1360	1360	1360	1360	1360
5	1356	1350	1354	1358	1354
15	1272	1265	1289	1301	1300
25	1086	1103	1154	1184	1188
35	842	872	955	998	1006
45	657	671	723	758	764
55	520	517	518	520	521
65	361	356	352	345	343
75	168	184	213	223	225
85	21	54	98	123	131
90	0	19	56	83	92

PRECISION ARCHITECTURAL LIGHTING

LED lighting facts
A Program of the U.S. DOE

Light Output (Lumens) 3326
Watts 41.5
Lumens per Watt (Efficacy) 80

Color Accuracy
Color Rendering Index (CRI) 83

Light Color
Correlated Color Temperature (CCT) 3465 (Bright White)

2700K 3000K 4500K 6500K

Warm White Bright White Daylight

Warranty** Yes

All results, except LED Lumen Maintenance, are according to IESNA LM-79-2008: Approved Method for the Electrical and Photometric Testing of Solid-State Lighting. The U.S. Department of Energy (DOE) verifies product test data and results.

** See www.lightingfacts.com/products for details.

Registration Number: 1NRP-EVKWRA (4/21/2014)
Model Number: ACC-HO-35K-4-LOH-UNV
Type: Luminaire - Linear

ACC-MO-K35-LOH



Medium Output

LED Optimized High Transmittance Lens

Catalog Number: ACC-MO-K35-80-4'-X-LOH-120

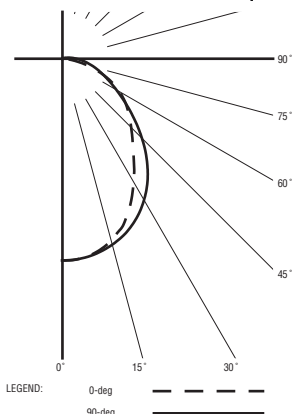
Report Number: ITL#80857.ies

Luminaire Description: Extruded Aluminum Housing with White Aluminum Reflector and LED Optimized Acrylic Lens with Insert

LED Module: Multiple White Low-Power Light Emitting Diodes (LEDs) in a precise lay-out.

Total Luminaire Efficacy = 88.1 Lm/W

Color Rendering Index (CRI) = 83



ZONAL LUMEN SUMMARY

Zone	Lumens	%Fixture
0- 30	644	30.6
0- 40	1014	48.1
0- 60	1659	78.8
0- 90	2080	98.8
90- 180	26	1.2
0- 180	2106	100.0

CANDELA DISTRIBUTION

	0.0	22.5	45.0	67.5	90.0
0	863	863	863	863	863
5	859	851	858	860	859
15	806	802	817	824	824
25	689	696	733	749	752
35	534	551	603	632	636
45	417	424	458	481	482
55	330	327	329	330	329
65	229	226	222	220	217
75	108	117	134	142	142
85	14	34	62	79	82
90	0	12	35	52	57

PRECISION ARCHITECTURAL LIGHTING

LED lighting facts
A Program of the U.S. DOE

Light Output (Lumens) 2106
Watts 23.9
Lumens per Watt (Efficacy) 88

Color Accuracy
Color Rendering Index (CRI) 83

Light Color
Correlated Color Temperature (CCT) 3455 (Bright White)

2700K 3000K 4500K 6500K

Warm White Bright White Daylight

Warranty** Yes

All results, except LED Lumen Maintenance, are according to IESNA LM-79-2008: Approved Method for the Electrical and Photometric Testing of Solid-State Lighting. The U.S. Department of Energy (DOE) verifies product test data and results.

** See www.lightingfacts.com/products for details.

Registration Number: 1NRP-MXWGBY (4/21/2014)
Model Number: ACC-MO-35K-4-LOH-120
Type: Luminaire - Linear

