

Catalog Number	Type
Project Name	

# AR300™ - Suspended Mount 90° Lighted Corners

## S P E C I F I C A T I O N S

### Housing

One-piece .070" thick extruded aluminum, mitered and secured together to form nominal 2' X 2' continuously lit 90° corner.

### Finish

Standard and premium finishes are baked powder coat electrostatically applied (2.0 mil minimum thickness) to assure aesthetics and durability.

### Indirect Optical Controls

- (LOH) LED optimized high transmittance acrylic snap-in lens - Standard Distribution.
- (WSCL) Wide-Spread Optic and clear co-extruded snap-in lens - Wide-Spread Distribution.

### Direct Optical Controls

(LOH) LED optimized high transmittance acrylic snap-in lens.

### Reflector/Heat Sink

- Indirect - .040" thick die-formed aluminum finished with a high reflectance white enamel.
- Direct - .040" thick die-formed aluminum finished with a high reflectance white enamel.

### Circuitry

All corner assemblies are factory pre-wired for a single circuit.

### Wiring

All corner assemblies are provided with factory installed quick-connect wiring.

### Certification

Fixtures are ETL listed for use in 'Dry or Damp Applications.' Conforms to UL Standard #1598 and to CAN/CSA #C22.2No.250.0

### Driver (Standard)

Power supply is UL/CUL recognized, 0-10V dimming available 120-277 universal voltage. 347V is available.

### Light Engine (Standard)

LED light source available standard for 3000K, 3500K and 4000K CCT, in high and medium light outputs, and 80 or 90 CRI. Standard outputs available:

- HO** - High Output (Direct or Indirect-Only Distributions)
- MO** - Medium Output (Direct or Indirect-Only Distributions)
- CO** - Custom Output (Direct or Indirect-Only Distributions)
- HO/HO** - High Output Up/Down (Ind./Direct Distribution)
- MO/MO** - Medium Output Up/Down (Ind./Direct Distribution)
- CO/CO** - Custom Output Up/Down (Indir./Direct Distribution)

### Driver (Tunable White)

EldoLED power supply is UL recognized, DALI, 0-10V or DMX available, 120-277 universal voltage.

### Light Engine (Tunable White)

Tunable White LED light source available for 2700K thru 6500K CCT, and 80 or 90 CRI. Contact factory for available outputs.

# Lighted 90° Mitered Corners - Indirect, Direct, or Ind./Direct

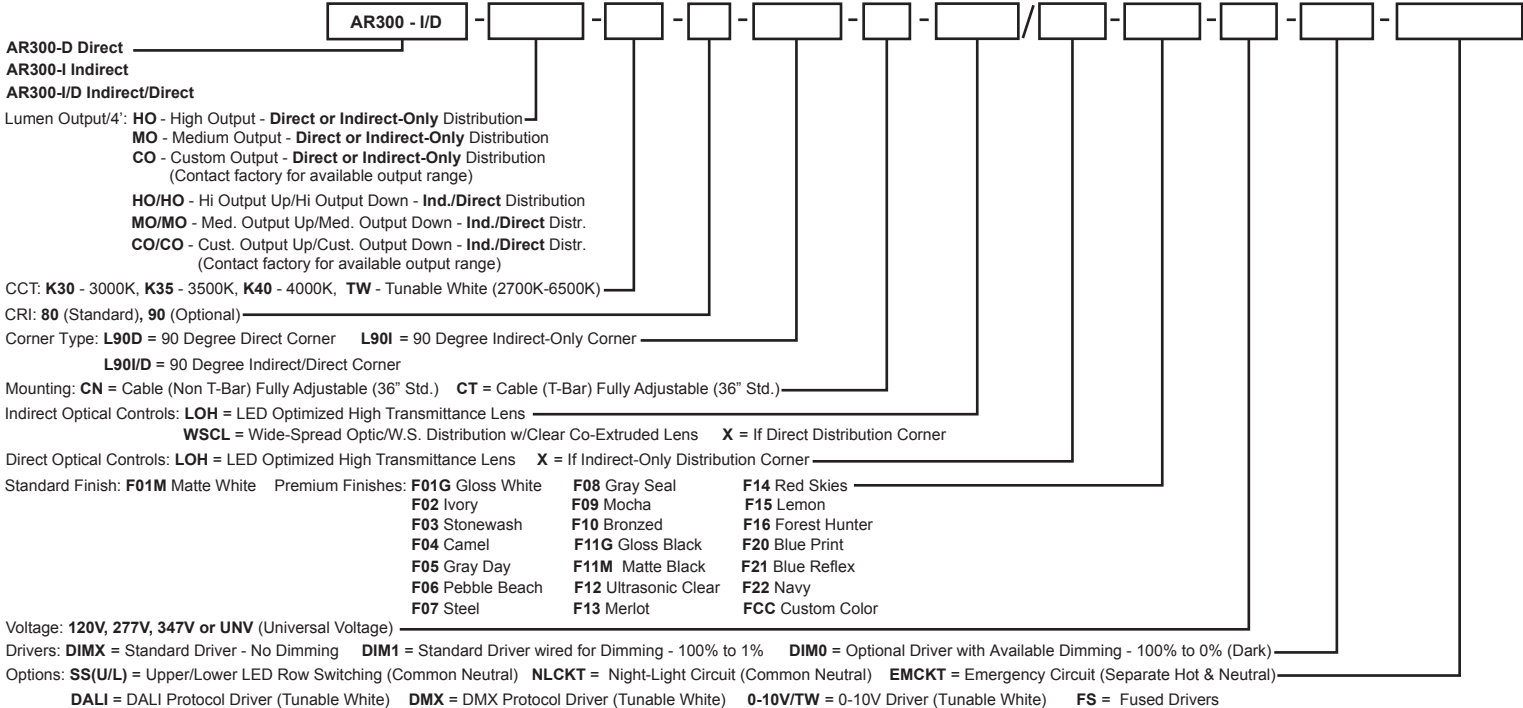


Extruded aluminum 90° mitered corners are available for use when fixture patterns are desired. AR300 corners are available in nominal 2' X 2' long continuously lit configurations.

See reverse for dimensions.

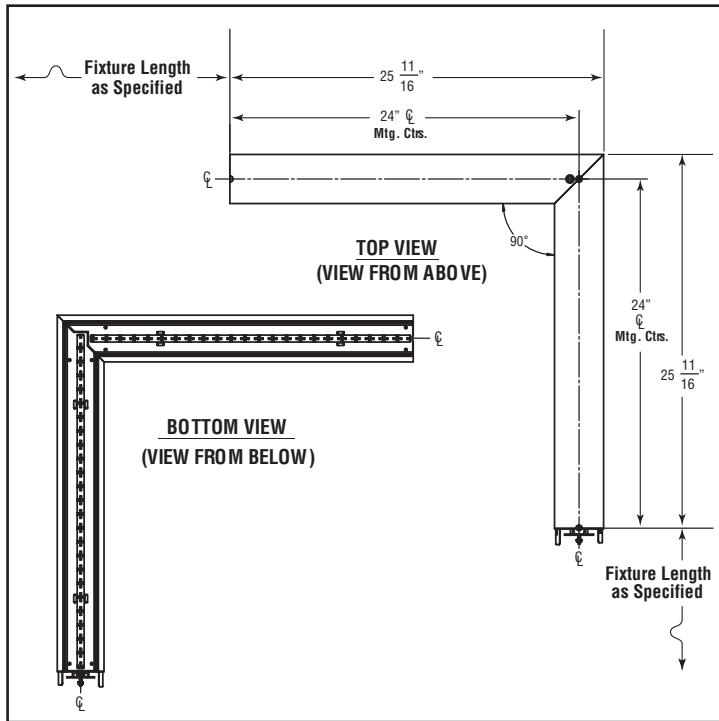
See fixture specification sheets for Delivered Lumens, Power Consumption (Watts), and fixture Efficacies (Lm/W).

Sample Catalog Number: **AR300-I/D - HO/HO - K40 - 80 - L90I/D - CN - WSCL / LOH - F01M - 120 - DIM1 - OPTIONS**



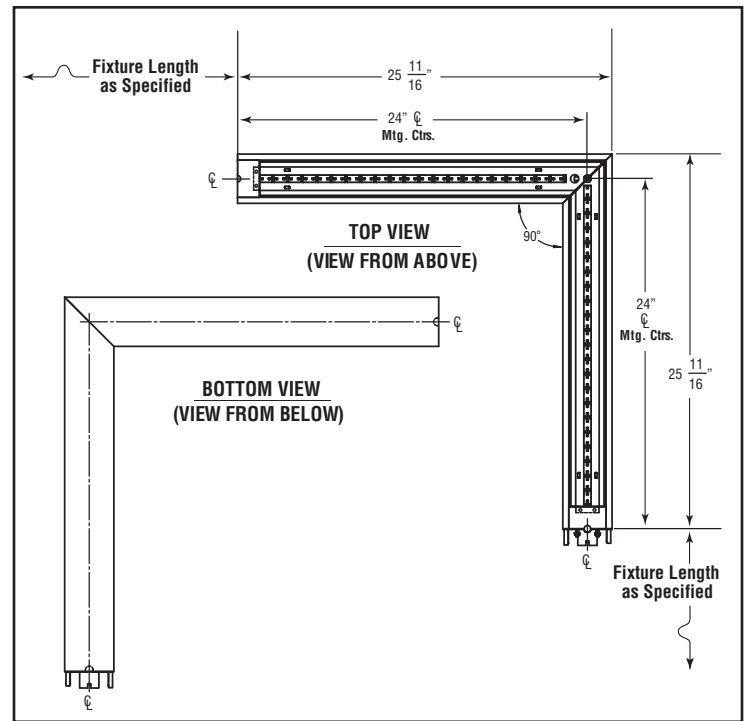
# AR300 Series Suspended Mount Corners

## Direct Mitered Corner - Lighted



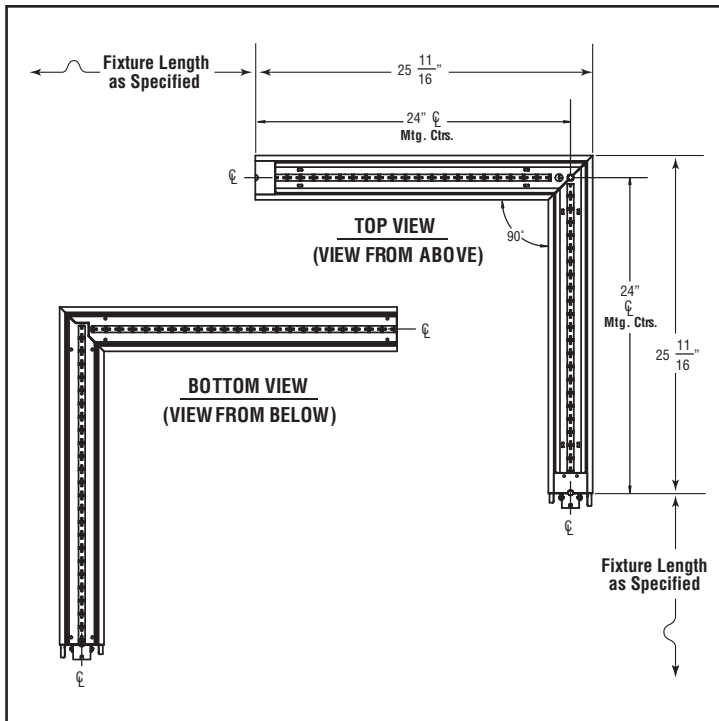
**Lighted Direct Distribution Mitered Corner**  
Medium or High Output LED (Contact Factory for Custom Outputs)

## Indirect-Only Mitered Corner - Lighted



**Lighted Indirect-Only Distribution Mitered Corner**  
Medium or High Output LED (Contact Factory for Custom Outputs)

## Indirect/Direct Mitered Corner - Lighted



**Lighted Indirect/Direct Distribution Mitered Corner**  
Medium or High Output LED Up & Down (Contact Factory for Custom Outputs)

Consult Factory for exact luminaire placement.



Precision Architectural Lighting 4830 Timber Creek Drive Houston, Texas 77017  
Tel 713.946.4343 Fax 713.946.4441 www.pal-lighting.com



Made in America