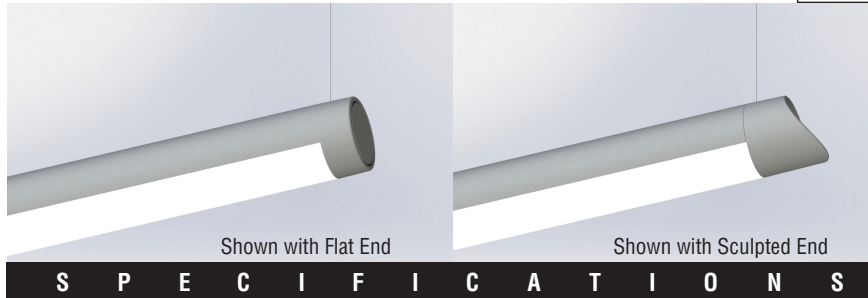


AR300™ - Direct Suspended Series

Catalog Number	Type
Project Name	



AR300-Direct-Susp.

3 3/8" Diameter Round - Direct Suspended Mount



Housing

One-piece .070" thick extruded aluminum. Standard lengths are nominal 4', 8' and 12'. Provisions may be made for continuous rows of any length.

End Caps

- (FE) Flat End - Die-cast aluminum finished to match fixture housing and secured with no visible fasteners.
- (SE) Sculpted End - Die-cast aluminum finished to match fixture housing and secured with no visible fasteners.

Finish

Standard and premium finishes are baked powder coat electrostatically applied (2.0 mil minimum thickness) to assure aesthetics and durability.

Direct Optical Control

(LOH) LED optimized high transmittance acrylic snap-in lens.

Reflector/Heat Sink

.040" thick die-formed aluminum finished with a high reflectance white enamel.

Circuitry

All fixtures are factory pre-wired for a single circuit. Provision for multiple switching/circuiting is optional.

Wiring

All fixtures intended for continuous rows are provided with factory installed quick-connect wiring.

Driver (Standard)

Power supply is UL/CUL recognized, 0-10V dimming available 120-277 universal voltage. 347V is available.

Light Engine (Standard)

LED light source available standard for 3000K, 3500K and 4000K CCT, in high and medium light outputs, and 80 or 90 CRI. Standard outputs:

HO - High Output (LOH)

*3679 Total Delivered Lms. at 28 System Watts

MO - Medium Output (LOH)

*2503 Total Delivered Lms. at 19 System Watts

(*All values per 4' using 4000K LED modules)

Driver (Tunable White)

EldoLED power supply is UL recognized, DALI or DMX available, 120-277 universal voltage.

Light Engine (Tunable White)

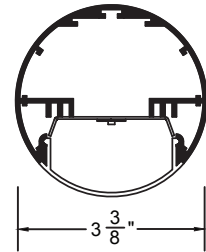
Tunable White LED light source available for 2700K thru 6500K CCT, and 80 or 90 CRI. Contact factory for available outputs.

Integral Controls

Contact factory for daylight and/or occupancy sensor controls.

Certification

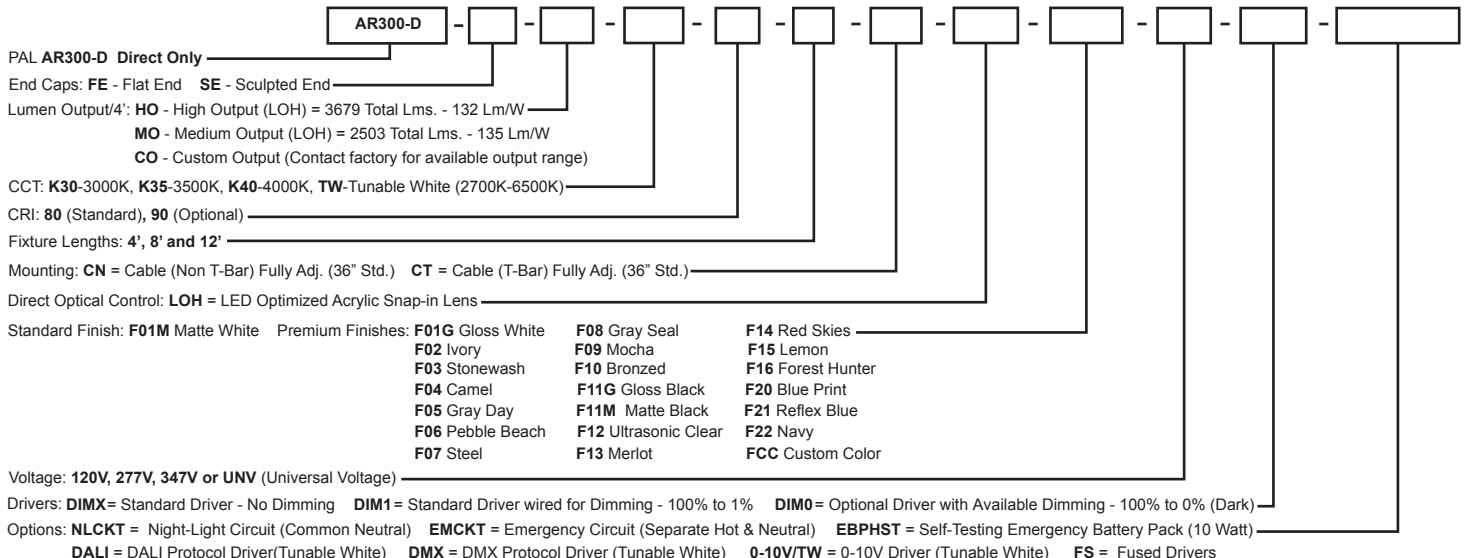
Fixtures are ETL listed for use in 'Dry or Damp Applications.' Conforms to UL Standard #1598 and to CAN/CSA #C22.2No.250.0



AR300-D-HO-C-LOH
AR300-D-MO-C-LOH

*Due to continued advancement in LED technology, lumen performance is subject to change. Please visit our website for the most up-to-date information.

Sample Catalog Number: **AR300-D - FE - HO - K40 - 80 - 4 - CN - LOH - F01M - 120 - DIM1 - OPTIONS**



Wall

AR300-DHO-K40-LOH

High Output - Direct

LED Optimized High Transmittance Lens

Catalog Number: AR300-D-HO-K40-80-4'-X-LOH-120

Report Number: #LLIA000930-002.ies

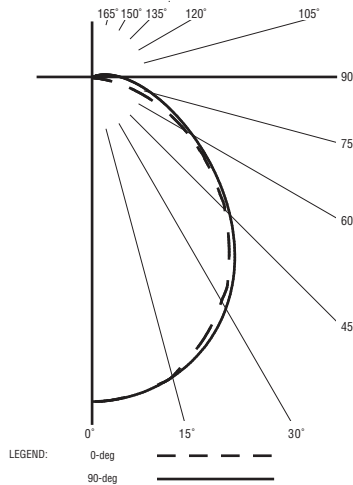
Luminaire Description: Extruded Aluminum Housing with White Aluminum Reflector and LED Optimized Acrylic Lens.

LED Module: Multiple White Low-Power Light Emitting Diodes (LEDs) in a precise layout.

Total Luminaire Efficacy = 131.8 Lm/W

0% Up 100% Down

Color Rendering Index (CRI) = 84



ZONAL LUMEN SUMMARY

Zone	Lumens	%Fixture
0- 30	1005	27.3
0- 40	1624	44.1
0- 60	2761	75.0
0- 90	3550	96.5
90- 180	129	3.5
0- 180	3679	100.0

CANDELA DISTRIBUTION

	0.0	22.5	45.0	67.5	90.0
0	1311	1311	1311	1311	1311
5	1303	1297	1311	1307	1300
15	1256	1251	1258	1257	1253
25	1129	1129	1153	1157	1156
35	970	977	995	1009	1003
45	769	778	805	810	803
55	562	574	597	593	590
65	357	379	404	409	407
75	174	208	253	271	274
85	38	89	146	173	180
90	0	51	107	136	144

AR300-DMO-K40-LOH

Medium Output - Direct

LED Optimized High Transmittance Lens

Catalog Number: AR300-D-MO-K40-80-4'-X-LOH-120

Report Number: #LLIA000930-001.ies

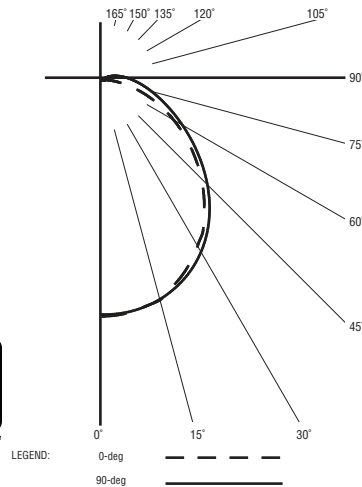
Luminaire Description: Extruded Aluminum Housing with White Aluminum Reflector and LED Optimized Acrylic Lens.

LED Module: Multiple White Low-Power Light Emitting Diodes (LEDs) in a precise layout.

Total Luminaire Efficacy = 134.7 Lm/W

0% Up 100% Down

Color Rendering Index (CRI) = 84



ZONAL LUMEN SUMMARY

Zone	Lumens	%Fixture
0- 30	684	27.3
0- 40	1105	44.1
0- 60	1879	75.0
0- 90	2415	96.5
90- 180	88	3.5
0- 180	2503	100.0

CANDELA DISTRIBUTION

	0.0	22.5	45.0	67.5	90.0
0	892	892	892	892	892
5	886	883	892	890	884
15	855	851	856	856	853
25	768	768	785	787	786
35	660	665	677	686	683
45	523	529	548	551	547
55	382	391	406	403	401
65	243	258	275	278	277
75	119	142	172	184	186
85	26	61	100	118	122
90	0	35	73	93	98

Precision Architectural Lighting, Inc.

LED lighting facts

Light Output (Lumens)	3679
Watts	27.91
Lumens per Watt (Efficacy)	131.82

Color Accuracy <small>Color Rendering Index (CRI)</small>	84
---	-----------

Light Color <small>Correlated Color Temperature (CCT)</small>	3985 (Bright White)
---	----------------------------

All results are according to IESNA LM-79-2008: Approved Method for the Electrical and Photometric Testing of Solid-State Lighting.

Visit www.lightingfacts.com for the Label Reference Guide.

Registration Number: 1NRP-FVRXRC (2/20/2018)
Model Number: AR300-D-HO-K40-80-4'-J-LOH-XXXX-120
Type: Luminaire - Linear

Precision Architectural Lighting, Inc.

LED lighting facts

Light Output (Lumens)	2503
Watts	18.58
Lumens per Watt (Efficacy)	134.71

Color Accuracy <small>Color Rendering Index (CRI)</small>	84
---	-----------

Light Color <small>Correlated Color Temperature (CCT)</small>	3976 (Bright White)
---	----------------------------

All results are according to IESNA LM-79-2008: Approved Method for the Electrical and Photometric Testing of Solid-State Lighting.

Visit www.lightingfacts.com for the Label Reference Guide.

Registration Number: 1NRP-LCBGJR (2/20/2018)
Model Number: AR300-D-MO-K40-80-4'-J-LOH-XXXX-120
Type: Luminaire - Linear

For more information, visit our website at www.pal-lighting.com



Precision Architectural Lighting 4830 Timber Creek Drive Houston, Texas 77017
Tel 713.946.4343 Fax 713.946.4441 www.pal-lighting.com



Made in America