

AR300™-Wall Mount Inside or Outside Miter 90° Lighted Corners

Catalog Number	Type
Project Name	

S P E C I F I C A T I O N S

Housing

One-piece .070" thick extruded aluminum, mitered and secured together to form continuously lit 90° corners.

Finish

Standard and premium finishes are baked powder coat electrostatically applied (2.0 mil minimum thickness) to assure aesthetics and durability.

Indirect Optical Controls

(LOH) LED optimized high transmittance acrylic snap-in lens - Standard Distribution.

Direct Optical Controls

(LOH) LED optimized high transmittance acrylic snap-in lens.

Reflector/Heat Sink

- Indirect - .040" thick die-formed aluminum finished with a high reflectance white enamel.
- Direct - .040" thick die-formed aluminum finished with a high reflectance white enamel.

Circuitry

All corner assemblies are factory pre-wired for a single circuit.

Wiring

All corner assemblies are provided with factory installed quick-connect wiring.

Driver (Standard)

Power supply is UL/CUL recognized, 0-10V dimming available 120-277 universal voltage. 347V is available.

Light Engine (Standard)

LED light source available standard for 3000K, 3500K and 4000K CCT, in high and medium light outputs, and 80 or 90 CRI. Standard outputs available:

HO - High Output (Direct or Indirect-Only Distributions)

MO - Medium Output (Direct or Indirect-Only Distributions)

CO - Custom Output (Direct or Indirect-Only Distributions)

HO/HO - High Output Up/Down (Ind./Direct Distribution)

MO/MO - Medium Output Up/Down (Ind./Direct Distribution)

CO/CO - Custom Output Up/Down (Indir./Direct Distribution)

Driver (Tunable White)

EldoLED power supply is UL recognized, DALI, 0-10V or DMX available, 120-277 universal voltage.

Light Engine (Tunable White)

Tunable White LED light source available for 2700K thru 6500K CCT, and 80 or 90 CRI.

Contact factory for available outputs.

Certification

Fixtures are ETL listed for use in 'Dry or Damp Applications.' Conforms to UL Standard #1598 and to CAN/CSA #C22.2No.250.0

Lighted 90° Mitered Corners - Indirect, Direct, or Ind./Direct

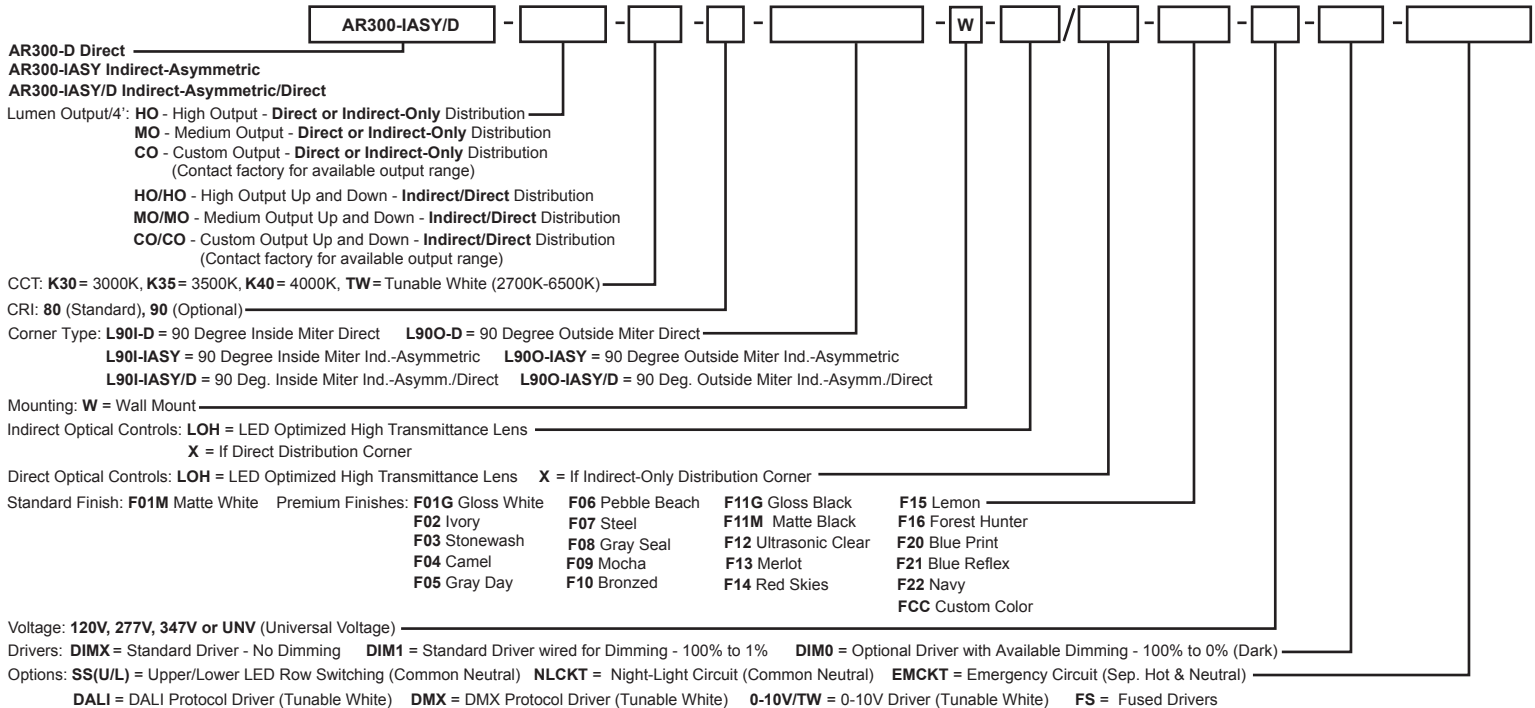


Extruded aluminum 90° mitered corners are available for use when fixture patterns are desired. AR300 corners are available in inside or outside miters for continuously lit wall mount configurations.

See reverse for dimensions.

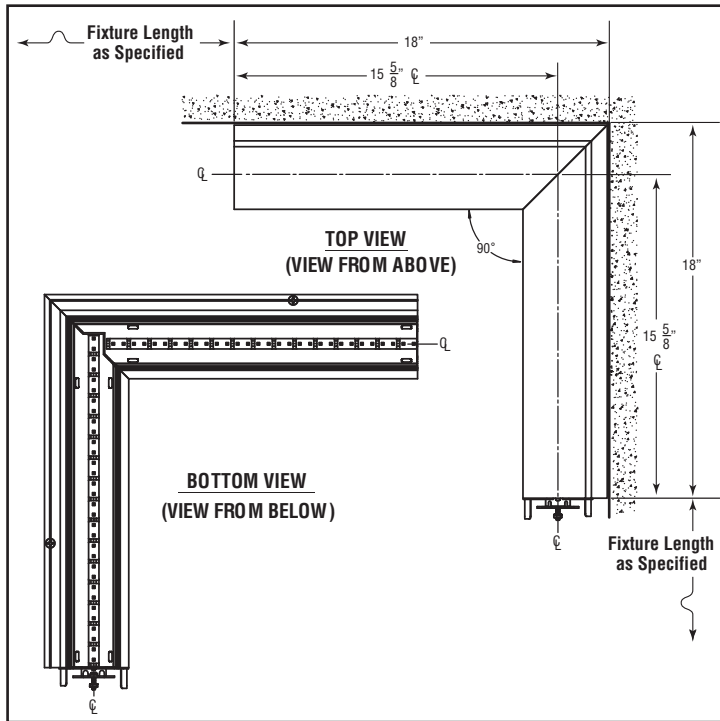
See fixture specification sheets for Delivered Lumens, Power Consumption (Watts), and fixture Efficacies (Lm/W).

Sample Catalog Number: **AR300-IASY/D - HO/HO - K40 - 80 - L90I-IASY/D - W - LOH / LOH - F01M - 120 - DIM1 - OPTIONS**



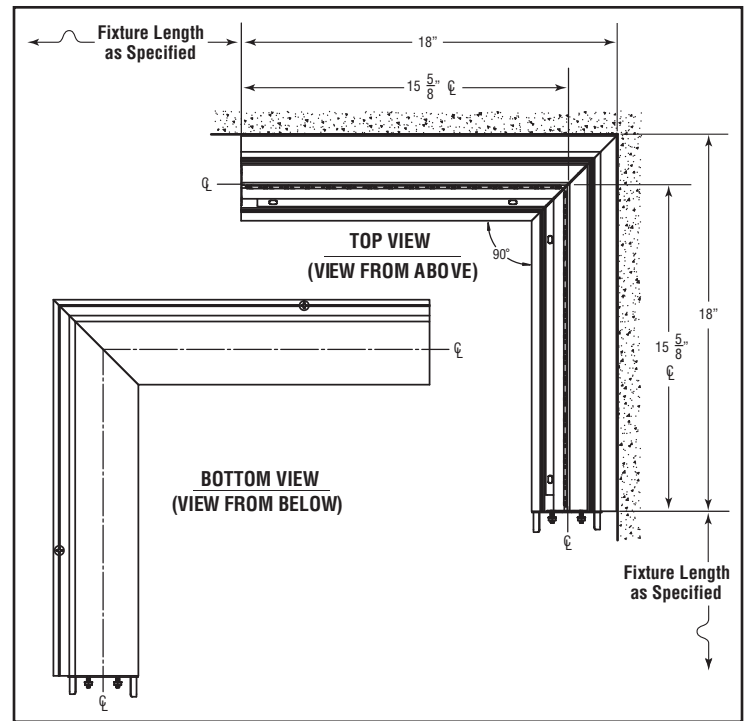
AR300 Series Wall Mount - Inside Miter Corners

Direct Inside Mitered Corner - Lighted



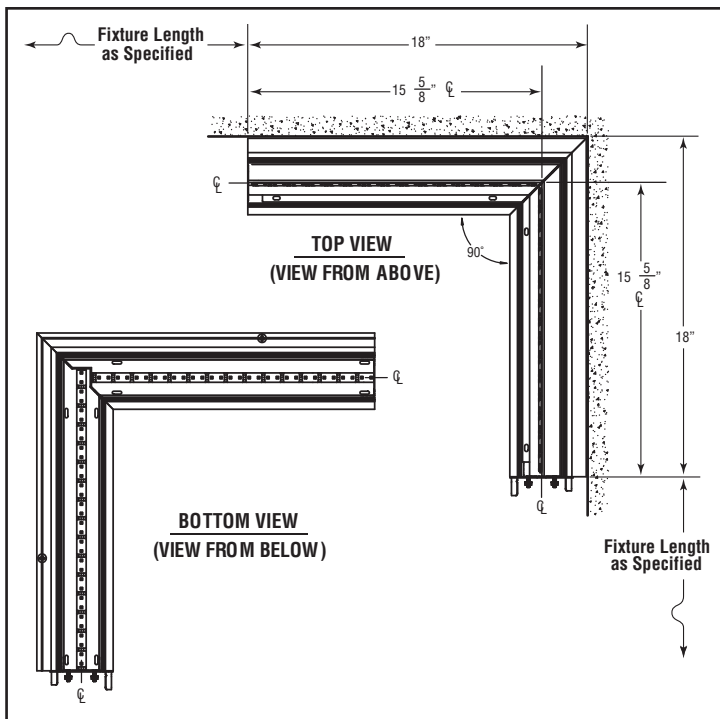
Lighted Direct Distribution Inside Mitered Corner
Medium or High Output LED (Contact Factory for Custom Outputs)

Indirect-Asymmetric Inside Mitered Corner - Lighted



Lighted Indirect-Asymmetric Distribution Inside Mitered Corner
Medium or High Output LED (Contact Factory for Custom Outputs)

Indirect-Asymmetric/Direct Inside Mitered Corner - Lighted



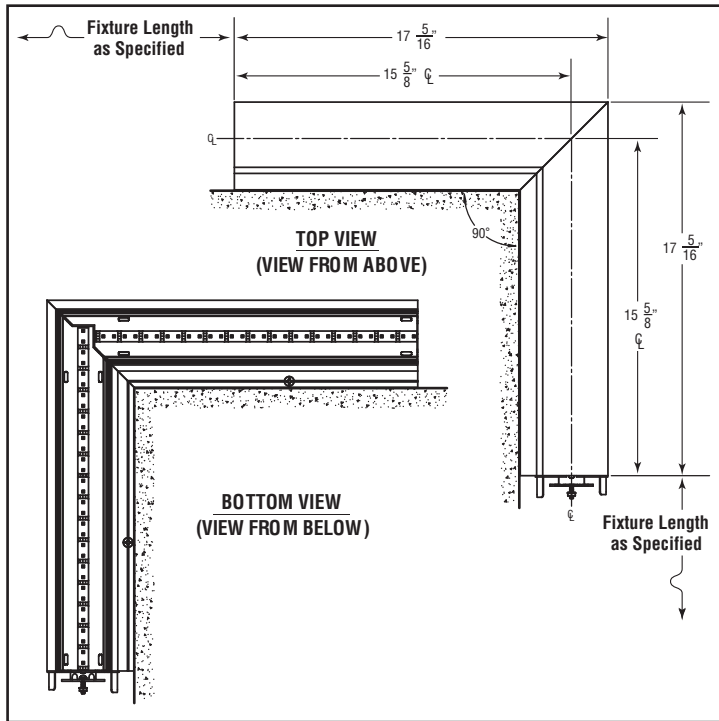
Lighted Indirect-Asymmetric/Direct Distribution Inside Mitered Corner
Medium or High Output LED Up & Down (Contact Factory for Custom Outputs)

Consult Factory for exact luminaire placement.



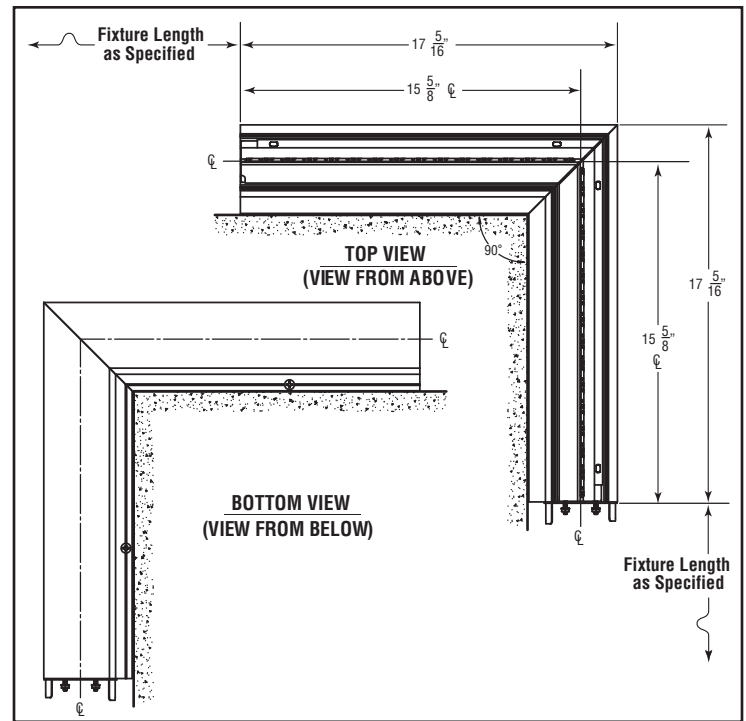
AR300 Series Wall Mount - Outside Miter Corners

Direct Outside Mitered Corner - Lighted



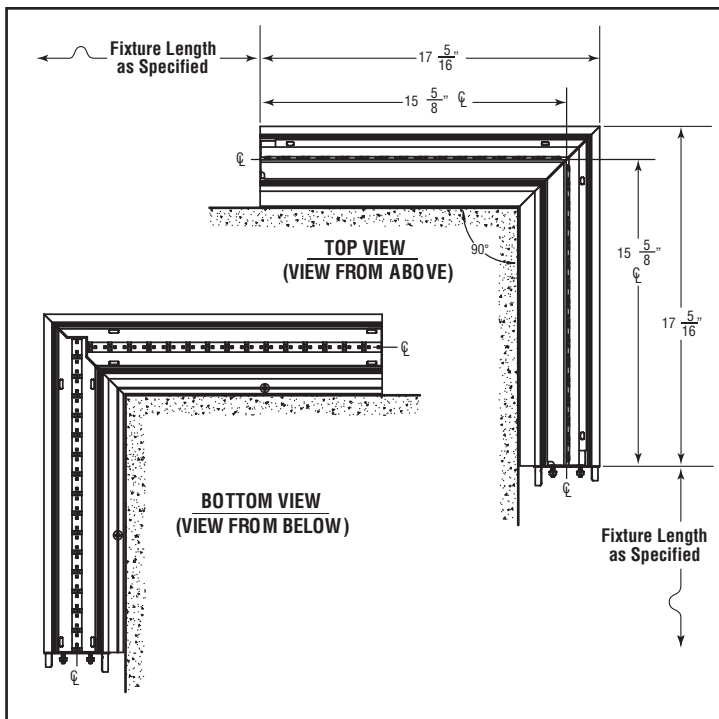
Lighted Direct Distribution Outside Mitered Corner
Medium or High Output LED (Contact Factory for Custom Outputs)

Indirect-Asymmetric Outside Mitered Corner - Lighted



Lighted Indirect-Asymmetric Distribution Outside Mitered Corner
Medium or High Output LED (Contact Factory for Custom Outputs)

Indirect-Asymmetric/Direct Outside Mitered Corner - Lighted



Lighted Indirect-Asymmetric/Direct Distribution Outside Mitered Corner
Medium or High Output LED Up & Down (Contact Factory for Custom Outputs)

Consult Factory for exact luminaire placement.

