

AS350™ - Wall Mount Series

Catalog Number	Type
Project Name	



AS350-Wall Mount

3 1/2" X 4 1/32" Square - Wall Mount



S P E C I F I C A T I O N S

Housing

One-piece .080" thick extruded aluminum. Standard lengths are nominal 2', 3', 4', 6', 8', and 12'. Provisions may be made for continuous rows of any length.

End Caps

Die-cast aluminum flat end cap finished to match fixture housing and secured with no visible fasteners.

Finish

Standard and premium finishes are baked powder coat electrostatically applied (2.0 mil minimum thickness) to assure aesthetics and durability.

Optical Control

(LOH) LED optimized high transmittance acrylic snap-in lens.

Reflector/Heat Sink

.040" thick die-formed aluminum finished with a high reflectance white enamel.

Circuitry

All fixtures are factory pre-wired for a single circuit. Provision for multiple switching/circuiting is optional.

Wiring

All fixtures intended for continuous rows are provided with factory installed quick-connect wiring.

Driver (Standard)

Power supply is UL/CUL recognized, 0-10V dimming available 120-277 universal voltage. 347V is available.

Light Engine (Standard)

LED light source available standard for 3000K, 3500K and 4000K CCT, in high and medium light outputs, and 80 or 90 CRI. Standard outputs at 80 CRI:

HO - High Output (DLC Listed)

*3495 Total Delivered Lms. at 28 System Watts

MO - Medium Output (DLC Listed)

*2167 Total Delivered Lms. at 17 System Watts

(*All values per 4' using 3500K LED modules)

Driver (Tunable White)

EldoLED power supply is UL recognized, DALI, 0-10V or DMX available, 120-277 universal voltage.

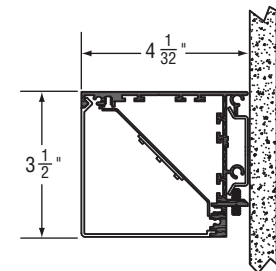
Light Engine (Tunable White)

Tunable White LED light source available for 2700K thru 6500K CCT, and 80 or 90 CRI. Contact factory for available outputs.

*Due to continued advancement in LED technology, lumen performance is subject to change. Please visit our website for the most up-to-date information.

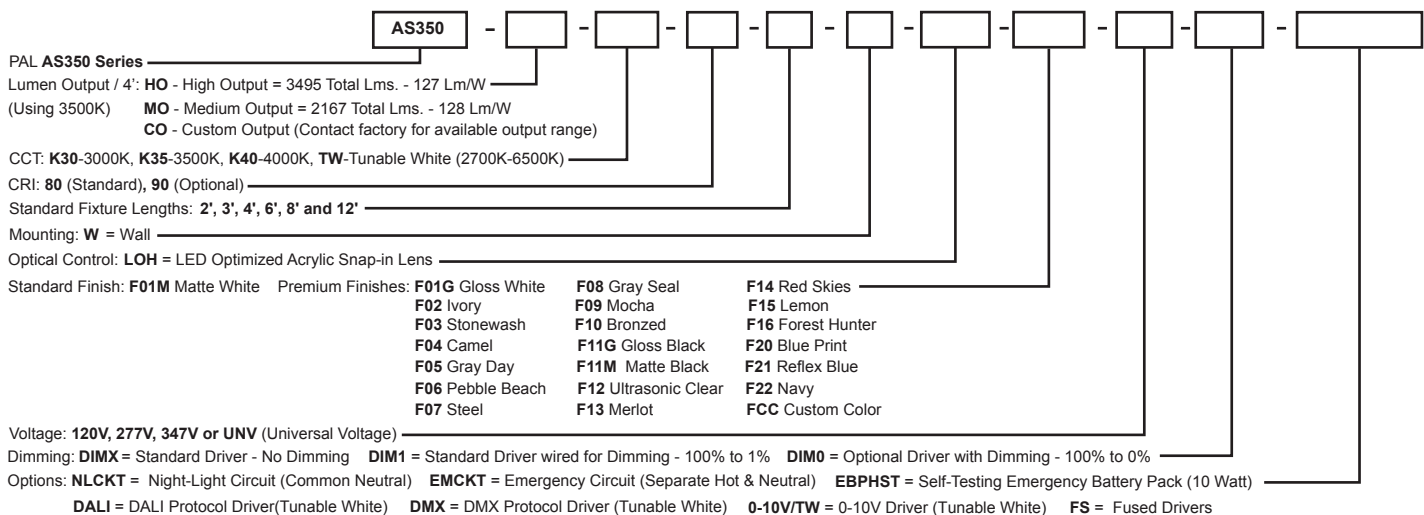
Certification

Fixtures are ETL listed for use in 'Dry or Damp Applications. Conforms to UL Standard #1598 and to CAN/CSA #C22.2No.250.0.



AS350-HO-W-LOH
AS350-MO-W-LOH
AS350-CO-W-LOH
(Wall Mount)

Sample Catalog Number: **AS350 - HO - K40 - 80 - 4 - W - LOH - F01M - 120 - DIM1 - OPTIONS**



Wall Mount with Mounting Cleat

AS350-HO-K40-LOH

Direct - High Output

LED Optimized High Transmittance Lens

Catalog Number: AS350-HO-K40-80-4'-X-LOH-120

Report Number: #LLIA001493-003.ies

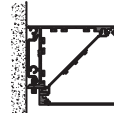
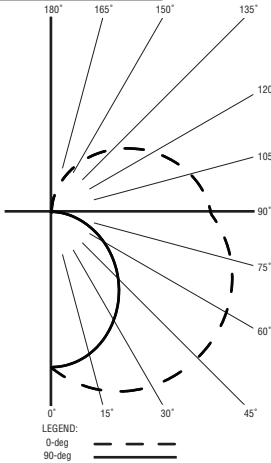
Luminaire Description: Extruded Aluminum Housing with White Aluminum Reflector and LED Optimized Acrylic Lens.

LED Module: Multiple White Low-Power Light Emitting Diodes (LEDs) in a uniform grid pattern.

Total Luminaire Efficacy = 127.1 Lm/W

24% Up 76% Down

Color Rendering Index (CRI) = 85



ZONAL LUMEN SUMMARY

Zone	Lumens	%Fixture
0- 30	541	15.5
0- 40	906	25.9
0- 60	1719	49.2
0- 90	2657	76.0
90- 180	838	24.0
0- 180	3495	100.0

CANDELA DISTRIBUTION

	0.0	22.5	45.0	67.5	90.0
0	658	658	658	658	658
5	703	697	684	666	651
15	778	762	723	671	620
25	830	803	735	646	562
35	861	822	724	599	485
45	872	821	693	536	396
55	863	800	646	461	302
65	834	761	585	379	206
75	783	703	514	296	114
85	709	629	438	218	33
90	671	592	404	185	0
120	505	447	315	149	0
150	240	216	158	78	0
180	0	0	0	0	0

AS350-MO-K40-LOH

Direct - Medium Output

LED Optimized High Transmittance Lens

Catalog Number: AS350-MO-K40-80-4'-X-LOH-120

Report Number: #LLIA001493-001.ies

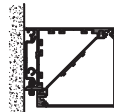
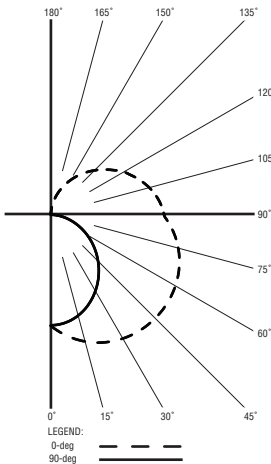
Luminaire Description: Extruded Aluminum Housing with White Aluminum Reflector and LED Optimized Acrylic Lens.

LED Module: Multiple White Low-Power Light Emitting Diodes (LEDs) in a uniform grid pattern.

Total Luminaire Efficacy = 128.1 Lm/W

24% Up 76% Down

Color Rendering Index (CRI) = 85



ZONAL LUMEN SUMMARY

Zone	Lumens	%Fixture
0- 30	335	15.5
0- 40	562	25.9
0- 60	1065	49.2
0- 90	1647	76.0
90- 180	520	24.0
0- 180	2167	100.0

CANDELA DISTRIBUTION

	0.0	22.5	45.0	67.5	90.0
0	408	408	408	408	408
5	436	432	424	413	404
15	482	472	448	416	384
25	515	498	456	401	348
35	534	510	448	371	301
45	540	508	429	332	246
55	535	496	400	286	187
65	517	472	363	235	128
75	485	436	319	183	71
85	440	390	272	135	21
90	416	367	250	115	0
120	313	278	195	92	0
150	149	134	98	48	0
180	0	0	0	0	0

For more information, visit our website at www.pal-lighting.com



Precision Architectural Lighting 4830 Timber Creek Drive Houston, Texas 77017
Tel 713.946.4343 Fax 713.946.4441 www.pal-lighting.com



Made in America