

Microlinea™ Suspended Series 2 - Open or FDC Up / Accent Lens Down

Catalog Number	Type
Project Name	



MLS2-I/D-FDC/AL

2-1/4" x 4-7/8" Indirect/Direct -
Open Aperture or Frosted Dust
Cover Up & Accent Lens Down



S P E C I F I C A T I O N S

Housing

One-piece .070" thick extruded aluminum. Die-cast aluminum endcaps are secured with no visible fasteners. Standard lengths are nominal 2', 3', 4', 6', 8' and 12'. Provisions may be made for continuous rows of any length.

Finish

Standard and premium finishes are baked powder coat electrostatically applied (2.0 mil minimum thickness) to assure aesthetics and durability.

Indirect Optical Controls

- (FDC) Frosted 100% polycarbonate flat dust cover.
- (WSOP) Wide-Spread Optic/Open Aperture
- (WSDC) Wide-Spread Optic/Clear 100% Polycarbonate Dust Cover.

Direct Optical Controls

(AL) .070" thick, high transmittance extruded acrylic snap-in accent lens. Lens extends 3/8" below extrusion edge.

Reflector/Heat Sink

- Indirect - .040" thick die-formed aluminum Finished with a high reflectance white enamel.
- Direct - .040" thick die-formed aluminum Finished with a high reflectance white enamel.

Drivers (Standard)

Osram-Sylvania "Optotronic" power supply is UL/CUL recognized, 0-10V dimming available, 120-277 universal voltage. 347V is available.

Light Engine (Standard)

Mid-Power LED modules available for 3000K, 3500K and 4000K CCT. Standard outputs at 80 CRI:

MO/MO(WSOP/AL): *4077 Total Del'd Lms. / 35 System Wts.

MO/MO(FDC/AL): *3716 Total Del'd Lms. / 35 System Wts.

HO/HO(WSOP/AL): *5920 Total Del'd Lms. / 53 System Wts.

HO/HO(FDC/AL): *5390 Total Del'd Lms. / 53 System Wts.

(*Values per 4' length using 3500K LED modules)

Driver (Tunable White)

EldoLED power supply is UL recognized, DALI or DMX available, 120-277 universal voltage.

Light Engine (Tunable White)

Tunable White LED light source available for 2700K thru 6500K CCT, and 80 or 90 CRI.

Circuitry

All fixtures are factory pre-wired for a single circuit. Provision for multiple switching/circuiting is optional.

Wiring

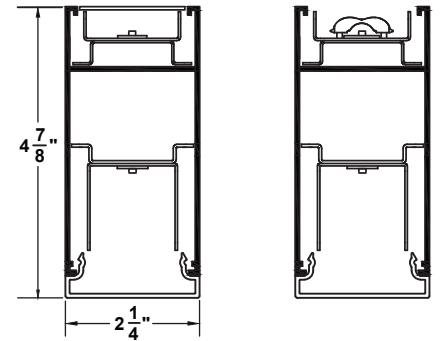
All fixtures intended for continuous rows are provided with factory installed quick-connect wiring.

Controls

Contact factory for control by Occupancy Sensors, Photo Controls and Daylight Harvesting.

Certification

Fixtures are ETL listed for use in 'Dry or Damp Applications.' Conforms to UL Standard #1598 and to CAN/CSA Standard #C22.2No.250.0.



Frosted Dust Cover - Up **Wide-Spread Optic - Up**
MLS2-I/D-MO/MO-FDC/AL **MLS2-I/D-HO/HO-WSOP/AL**
MLS2-I/D-HO/HO-FDC/AL **MLS2-I/D-MO/MO-WSOP/AL**
MLS2-I/D-HO/HO-WSDC/AL **MLS2-I/D-MO/MO-WSDC/AL**

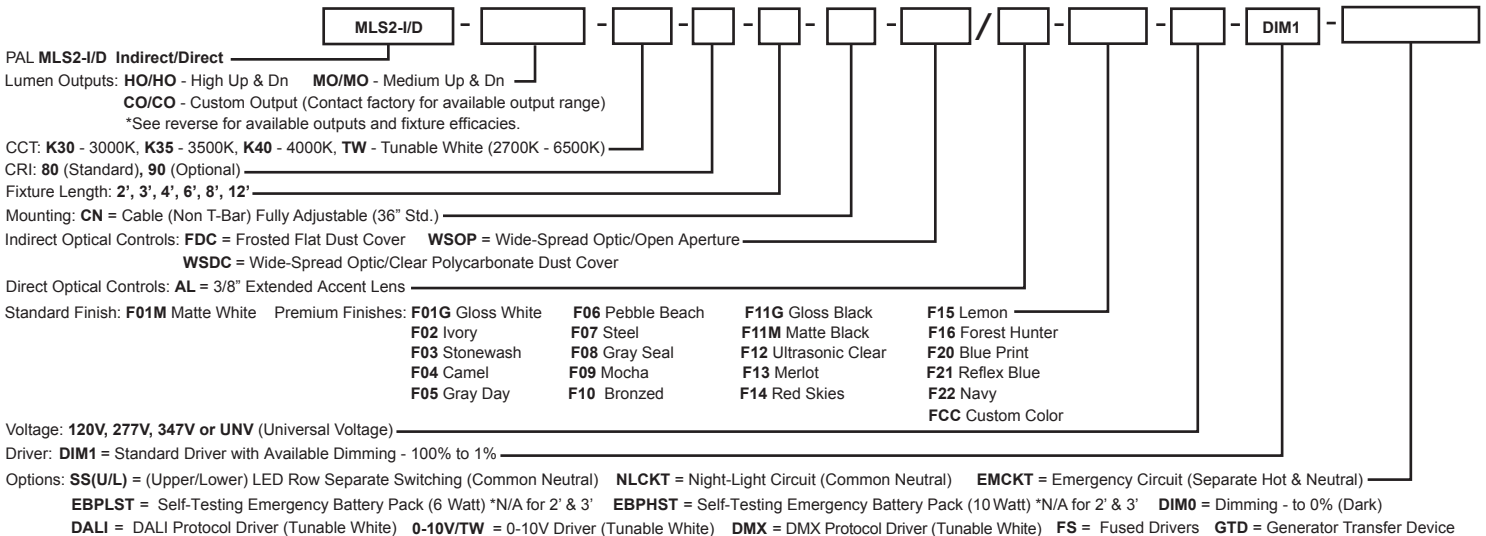


Wide-Spread Optic

The WS optic is a precisely designed, optical-grade acrylic LED-refraction system. Engineered for superior ceiling uniformity, it provides a more comfortable illuminated space while reducing energy requirements.

*Due to continued advancement in LED technology, lumen performance is subject to change. Please visit our website for the most up-to-date information.

Sample Catalog Number: **MLS2-I/D - HO/HO - K40 - 80 - 4 - CN - FDC / AL - F01M - 120 - DIM1 - OPTIONS**



Suspended

MLS2-I/D-HO/HO-K35-FDCAL



High Output Up/High Output Down

Frosted Dust Cover Up / Accent Lens Down

Catalog Number: MLS2-I/D-HO/HO-K35-80-4'-X-FDC/AL-120

Report Number: #LLIA001329-007.ies

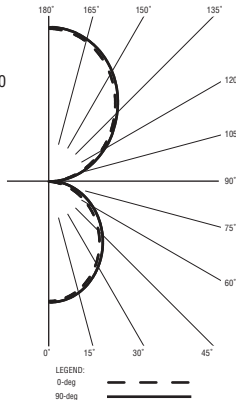
Luminaire Description: Extruded Aluminum Housing with White Aluminum Reflector, Frosted DC up and Extended Accent Lens down

LED Module: Multiple White Low-Power Light Emitting Diodes (LEDs) in a precise lay-out.

Total Luminaire Efficacy = 101.1 Lm/W

Color Rendering Index (CRI) = 84

56% Up 44% Down



ZONAL LUMEN SUMMARY

Zone	Lumens	%Fixture
0- 30	645	12.0
0- 40	1043	19.4
0- 60	1810	33.6
0- 90	2355	43.7
90- 180	3035	56.3
0- 180	5390	100.0

CANDELA DISTRIBUTION

	0.0	22.5	45.0	67.5	90.0
0	849	849	849	849	849
5	840	841	844	847	851
25	722	726	733	739	746
45	504	513	525	535	543
65	256	271	288	303	310
85	39	55	75	91	97
90	1	17	38	54	60
95	60	71	71	74	77
115	354	368	380	381	381
135	662	673	683	690	689
155	935	941	948	956	958
175	1075	1077	1081	1086	1087
180	1084	1084	1084	1084	1084

MLS2-I/D-HO/HO-K35-WSOPAL



High Output Up/High Output Down

Open Top w/Wide Spread Optic Up / Accent Lens Down

Catalog Number: MLS2-I/D-HO/HO-K35-80-4'-X-WSOP/AL-120

Report Number: #LLIA001329-003

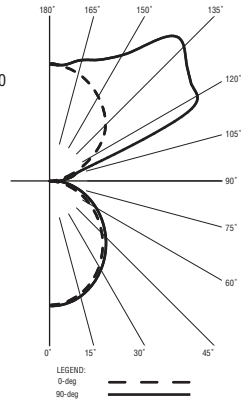
Luminaire Description: Extruded Aluminum Housing with White Aluminum Reflector, Wide-Spread Optic up and Extended Accent Lens down

LED Module: Multiple White Low-Power Light Emitting Diodes (LEDs) in a precise lay-out.

Total Luminaire Efficacy = 110.8 Lm/W

Color Rendering Index (CRI) = 84

60% Up 40% Down



ZONAL LUMEN SUMMARY

Zone	Lumens	%Fixture
0- 30	653	11.0
0- 40	1056	17.8
0- 60	1834	31.0
0- 90	2388	40.3
90- 180	3532	59.7
0- 180	5920	100.0

CANDELA DISTRIBUTION

	0.0	22.5	45.0	67.5	90.0
0	859	859	859	859	859
5	851	851	854	858	861
25	732	735	742	748	755
45	512	520	532	542	550
65	261	274	292	307	315
85	40	56	76	93	99
90	1	18	39	56	62
95	24	48	69	96	101
115	264	331	574	1035	880
135	548	619	857	1221	1315
155	710	737	825	899	934
175	802	802	802	805	806
180	808	808	808	808	808

MLS2-I/D-MO/MO-K35-FDCAL



Medium Output Up/Medium Output Down

Frosted Dust Cover Up / Accent Lens Down

Catalog Number: MLS2-I/D-MO/MO-K35-80-4'-X-FDC/AL-120

Report Number: #LLIA001329-008.ies

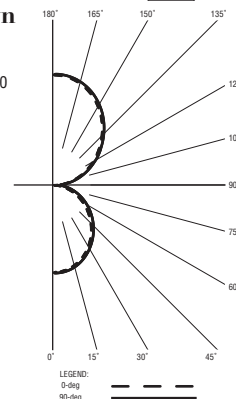
Luminaire Description: Extruded Aluminum Housing with White Aluminum Reflector, Frosted DC up and Extended Accent Lens down

LED Module: Multiple White Low-Power Light Emitting Diodes (LEDs) in a precise lay-out.

Total Luminaire Efficacy = 105.3 Lm/W

Color Rendering Index (CRI) = 84

56% Up 44% Down



ZONAL LUMEN SUMMARY

Zone	Lumens	%Fixture
0- 30	447	12.0
0- 40	723	19.4
0- 60	1253	33.7
0- 90	1630	43.9
90- 180	2086	56.1
0- 180	3716	100.0

CANDELA DISTRIBUTION

	0.0	22.5	45.0	67.5	90.0
0	589	589	589	589	589
5	582	583	585	588	590
25	501	504	508	512	517
45	350	355	364	370	375
65	178	187	199	209	214
85	26	38	51	63	67
90	0	12	26	37	41
95	41	49	49	52	54
115	243	253	261	262	262
135	455	462	469	474	474
155	642	646	651	657	658
175	738	740	742	745	747
180	744	744	744	744	744

MLS2-I/D-MO/MO-K35-WSOPAL



Medium Output Up/Medium Output Down

Open Top w/Wide Spread Optic Up / Accent Lens Down

Catalog Number: MLS2-I/D-MO/MO-K35-80-4'-X-WSOP/AL-120

Report Number: #LLIA001329-004.ies

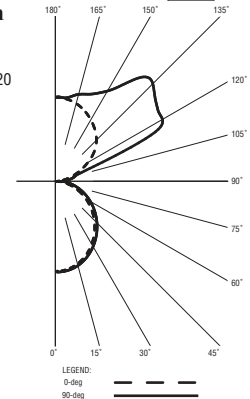
Luminaire Description: Extruded Aluminum Housing with White Aluminum Reflector, Wide-Spread Optic up and Extended Accent Lens down

LED Module: Multiple White Low-Power Light Emitting Diodes (LEDs) in a precise lay-out.

Total Luminaire Efficacy = 115.3 Lm/W

Color Rendering Index (CRI) = 84

60% Up 40% Down



ZONAL LUMEN SUMMARY

Zone	Lumens	%Fixture
0- 30	453	11.1
0- 40	731	17.9
0- 60	1269	31.1
0- 90	1650	40.5
90- 180	2427	59.5
0- 180	4077	100.0

CANDELA DISTRIBUTION

	0.0	22.5	45.0	67.5	90.0
0	596	596	596	596	596
5	590	590	592	595	597
25	507	509	514	518	523
45	353	360	368	375	380
65	180	189	202	212	217
85	27	38	52	64	68
90	0	12	26	38	42
95	16	33	48	66	70
115	181	227	395	711	600
135	376	425	588	840	904
155	488	507	567	618	642
175	551	551	551	553	554
180	555	555	555	555	555

For more information, visit our website at www.pal-lighting.com



Precision Architectural Lighting 4830 Timber Creek Drive Houston, Texas 77017
Tel 713.946.4343 Fax 713.946.4441 www.pal-lighting.com



Made in America