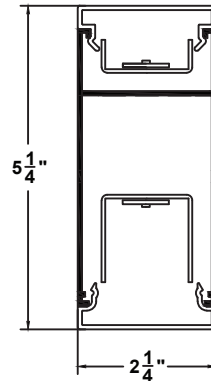


Microlinea™ Suspended Series 2 - I/D with Accent Lenses

Catalog Number	Type
Project Name	



MLS2-I/D-AL/AL 2 1/4" x 5 1/4" Indirect/Direct with Accent Lenses on Top & Bottom



- MLS2-I/D-MO/MO-AL/AL
- MLS2-I/D-MO/HO-AL/AL
- MLS2-I/D-HO/MO-AL/AL
- MLS2-I/D-HO/HO-AL/AL

*Due to continued advancement in LED technology, lumen performance is subject to change. Please visit our website for the most up-to-date information.

S P E C I F I C A T I O N S

Housing

One-piece .070" thick extruded aluminum. Die-cast aluminum endcaps are secured with no visible fasteners. Standard lengths are nominal 2', 3', 4', 6', 8' and 12'. Provisions may be made for continuous rows of any length.

Finish

Standard and premium finishes are baked powder coat electrostatically applied (2.0 mil minimum thickness) to assure aesthetics and durability.

Indirect Optical Controls

(AL) .070" thick, high transmittance extruded acrylic snap-in extended accent lens. Lens extends 3/8" above extrusion edge.

Direct Optical Controls

(AL) .070" thick, high transmittance extruded acrylic snap-in extended accent lens. Lens extends 3/8" below extrusion edge.

Reflector/Heat Sink

- Indirect - .040" thick die-formed aluminum finished with a high reflectance white enamel.
- Direct - .040" thick die-formed aluminum finished with a high reflectance white enamel.

Driver (Standard)

Power supply is UL/CUL recognized, 0-10V dimming available, 120-277 universal voltage. Consult factory for 347V.

Light Engine (Standard)

LED light source available for 3000K, 3500K and 4000K CCT, in high and medium light outputs. Standard outputs at 80 CRI:

- MO/MO:** *4251 Total Del'd Lms. at 37 Watts (DLC Listed)
 - MO/HO:** *5090 Total Del'd Lms. at 46 Watts (Not DLC Listed)
 - HO/MO:** *5369 Total Del'd Lms. at 46 Watts (DLC Listed)
 - HO/HO:** *6252 Total Del'd Lms. at 55 Watts (DLC Listed)
- (*Values per 4' length using 4000K LED modules)

Driver (Tunable White)

EldoLED power supply is UL recognized, DALI or DMX available, 120-277 universal voltage.

Light Engine (Tunable White)

Tunable White LED light source available for 2700K thru 6500K CCT, and 80 or 90 CRI. Contact factory for available outputs.

Circuitry

All fixtures are factory pre-wired for a single circuit. Provision for multiple switching/circuiting is optional.

Wiring

All fixtures intended for continuous rows are provided with factory installed quick-connect wiring.

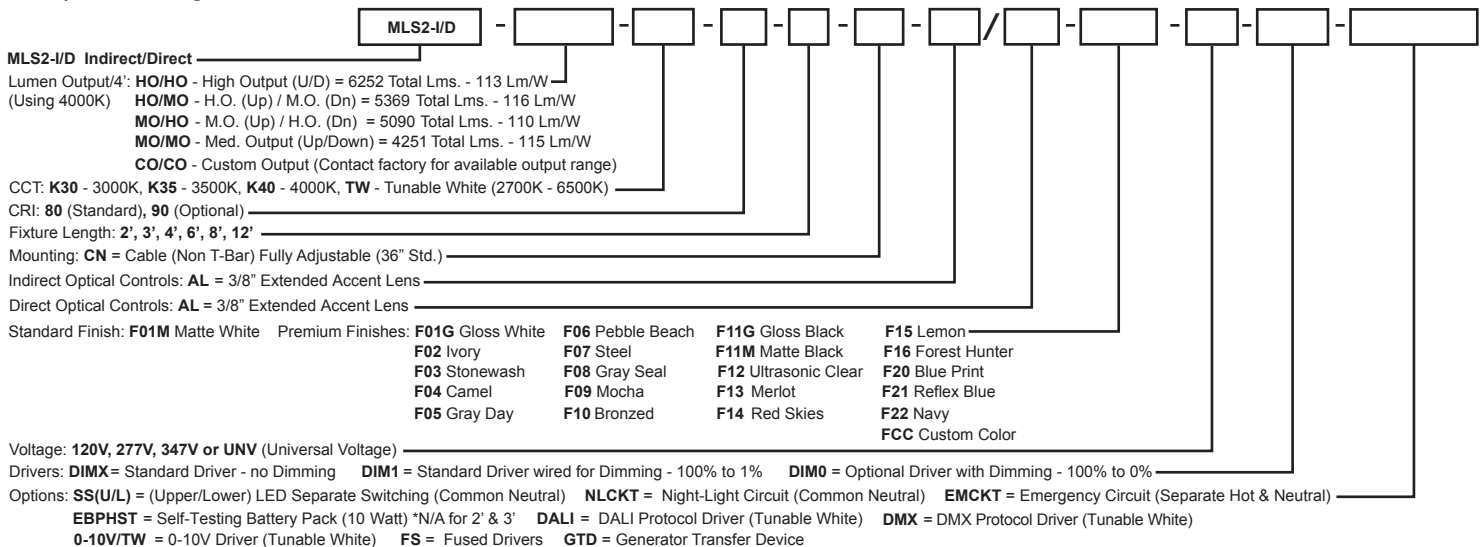
Controls

Contact factory for control by Occupancy Sensors, Photo Controls and Daylight Harvesting.

Certification

Fixtures are ETL listed for use in 'Dry or Damp Applications.' Conforms to UL #1598 and to CAN/CSA #C22.2No.250.0.

Sample Catalog Number: **MLS2-I/D - HO/HO - K40 - 80 - 4 - CN - AL / AL - F01M - 120 - DIM1 - OPTIONS**



Suspended

MLS2-I/D-HO/HO-K40-AL/AL



High Output Up/High Output Down

LED Optimized High Transmittance Lens

Catalog Number: MLS2-I/D-HO/HO-K40-80-4'-X-AL/AL-120

Report Number: #LLIA000817-011.ies

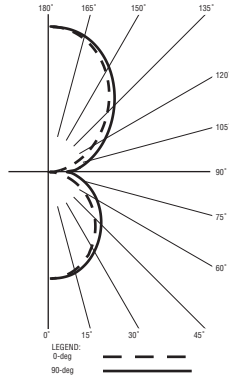
Luminaire Description: Extruded Aluminum Housing with White Aluminum Reflector and LED Optimized Acrylic Extended Accent Lens

LED Module: Multiple White Low-Power Light Emitting Diodes (LEDs) in a precise lay-out.

Total Luminaire Efficacy = 112.9 Lm/W

Color Rendering Index (CRI) = 84

55% Up 45% Down



lighting facts [®]										
A Program of the U.S. DOE										
Light Output (Lumens)	6252									
Watts	55.4									
Lumens per Watt (Efficacy)	112.85									
Color Accuracy Color Rendering Index (CRI)	84									
Light Color Correlated Color Temperature (CCT)	4023 (Bright White)									
<table border="1"> <tr> <td>Warm White</td> <td>Bright White</td> <td>Daylight</td> </tr> <tr> <td>2700K</td> <td>3000K</td> <td>4500K</td> </tr> <tr> <td colspan="3">6500K</td> </tr> </table>		Warm White	Bright White	Daylight	2700K	3000K	4500K	6500K		
Warm White	Bright White	Daylight								
2700K	3000K	4500K								
6500K										
Warranty**	Yes									
<small>All results, except LED Lumen Maintenance, are according to IESNA LM-79-2008. Approved Method for the Electrical and Photometric Testing of Solid-State Lighting. The U.S. Department of Energy (DOE) verifies product test data and results.</small>										
<small>** See www.lightingfacts.com/products for details.</small>										
<small>Registration Number: INRP-NWRJFC (7/23/2017) Model Number: MLS2-I/D-HO/HO-K40-80-4'-X-AL/AL-XXX-UNV Type: Luminaire - Linear</small>										



MLS2-I/D-MO/HO-K40-AL/AL



Medium Output Up/High Output Down

LED Optimized High Transmittance Lens

Catalog Number: MLS2-I/D-MO/HO-K40-80-4'-X-AL/AL-120

Report Number: #LLIA000817-013.ies

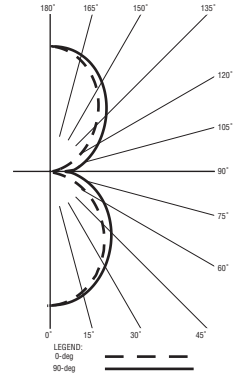
Luminaire Description: Extruded Aluminum Housing with White Aluminum Reflector and LED Optimized Acrylic Extended Accent Lens

LED Module: Multiple White Low-Power Light Emitting Diodes (LEDs) in a precise lay-out.

Total Luminaire Efficacy = 110.4 Lm/W

Color Rendering Index (CRI) = 84

47% Up 53% Down



lighting facts [®]										
A Program of the U.S. DOE										
Light Output (Lumens)	5090									
Watts	46.12									
Lumens per Watt (Efficacy)	110.36									
Color Accuracy Color Rendering Index (CRI)	84									
Light Color Correlated Color Temperature (CCT)	4025 (Bright White)									
<table border="1"> <tr> <td>Warm White</td> <td>Bright White</td> <td>Daylight</td> </tr> <tr> <td>2700K</td> <td>3000K</td> <td>4500K</td> </tr> <tr> <td colspan="3">6500K</td> </tr> </table>		Warm White	Bright White	Daylight	2700K	3000K	4500K	6500K		
Warm White	Bright White	Daylight								
2700K	3000K	4500K								
6500K										
Warranty**	Yes									
<small>All results, except LED Lumen Maintenance, are according to IESNA LM-79-2008. Approved Method for the Electrical and Photometric Testing of Solid-State Lighting. The U.S. Department of Energy (DOE) verifies product test data and results.</small>										
<small>Visit www.lightingfacts.com for the Label Reference Guide.</small>										
<small>Registration Number: INRP-SJURJ (7/23/2017) Model Number: MLS2-I/D-MO/HO-K40-80-4'-X-AL/AL-XXX-UNV Type: Luminaire - Linear</small>										

MLS2-I/D-HO/MO-K40-AL/AL



High Output Up/Medium Output Down

LED Optimized High Transmittance Lens

Catalog Number: MLS2-I/D-HO/MO-K40-80-4'-X-AL/AL-120

Report Number: #LLIA000817-012.ies

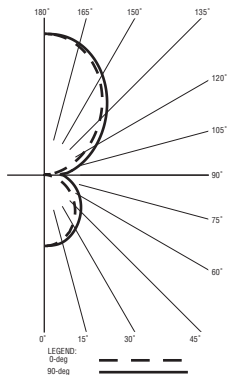
Luminaire Description: Extruded Aluminum Housing with White Aluminum Reflector and LED Optimized Acrylic Extended Accent Lens

LED Module: Multiple White Low-Power Light Emitting Diodes (LEDs) in a precise lay-out.

Total Luminaire Efficacy = 116.4 Lm/W

Color Rendering Index (CRI) = 84

63% Up 37% Down



lighting facts [®]										
A Program of the U.S. DOE										
Light Output (Lumens)	5369									
Watts	46.14									
Lumens per Watt (Efficacy)	116.36									
Color Accuracy Color Rendering Index (CRI)	84									
Light Color Correlated Color Temperature (CCT)	4018 (Bright White)									
<table border="1"> <tr> <td>Warm White</td> <td>Bright White</td> <td>Daylight</td> </tr> <tr> <td>2700K</td> <td>3000K</td> <td>4500K</td> </tr> <tr> <td colspan="3">6500K</td> </tr> </table>		Warm White	Bright White	Daylight	2700K	3000K	4500K	6500K		
Warm White	Bright White	Daylight								
2700K	3000K	4500K								
6500K										
Warranty**	Yes									
<small>All results, except LED Lumen Maintenance, are according to IESNA LM-79-2008. Approved Method for the Electrical and Photometric Testing of Solid-State Lighting. The U.S. Department of Energy (DOE) verifies product test data and results.</small>										
<small>Visit www.lightingfacts.com for the Label Reference Guide.</small>										
<small>Registration Number: INRP-WFEGJ (7/23/2017) Model Number: MLS2-I/D-HO/MO-K40-80-4'-X-AL/AL-XXX-UNV Type: Luminaire - Linear</small>										



MLS2-I/D-MO/MO-K40-AL/AL



Medium Output Up/Medium Output Down

LED Optimized High Transmittance Lens

Catalog Number: MLS2-I/D-MO/MO-K40-80-4'-X-AL/AL-120

Report Number: #LLIA000817-014.ies

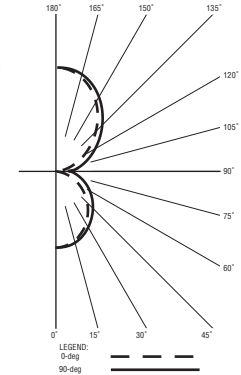
Luminaire Description: Extruded Aluminum Housing with White Aluminum Reflector and LED Optimized Acrylic Extended Accent Lens

LED Module: Multiple White Low-Power Light Emitting Diodes (LEDs) in a precise lay-out.

Total Luminaire Efficacy = 115.1 Lm/W

Color Rendering Index (CRI) = 84

55% Up 45% Down



lighting facts [®]										
A Program of the U.S. DOE										
Light Output (Lumens)	4251									
Watts	36.92									
Lumens per Watt (Efficacy)	115.14									
Color Accuracy Color Rendering Index (CRI)	84									
Light Color Correlated Color Temperature (CCT)	4005 (Bright White)									
<table border="1"> <tr> <td>Warm White</td> <td>Bright White</td> <td>Daylight</td> </tr> <tr> <td>2700K</td> <td>3000K</td> <td>4500K</td> </tr> <tr> <td colspan="3">6500K</td> </tr> </table>		Warm White	Bright White	Daylight	2700K	3000K	4500K	6500K		
Warm White	Bright White	Daylight								
2700K	3000K	4500K								
6500K										
Warranty**	Yes									
<small>All results, except LED Lumen Maintenance, are according to IESNA LM-79-2008. Approved Method for the Electrical and Photometric Testing of Solid-State Lighting. The U.S. Department of Energy (DOE) verifies product test data and results.</small>										
<small>** See www.lightingfacts.com/products for details.</small>										
<small>Registration Number: INRP-PAYLKO (7/23/2017) Model Number: MLS2-I/D-MO/MO-K40-80-4'-X-AL/AL-XXX-UNV Type: Luminaire - Linear</small>										



For more information, visit our website at www.pal-lighting.com



Precision Architectural Lighting 4830 Timber Creek Drive Houston, Texas 77017
Tel 713.946.4343 Fax 713.946.4441 www.pal-lighting.com



Made in America