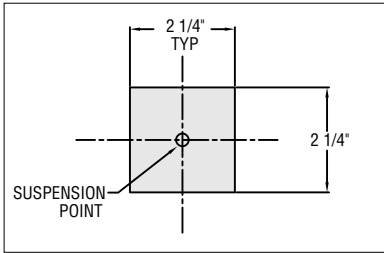


# Microlinea Series 2, 3 & 5

## Unlit Connector Specifications

### S P E C I F I C A T I O N S



**Microlinea Series 2**

**Direct only** 2 1/4" w x 2 1/4" h fixtures

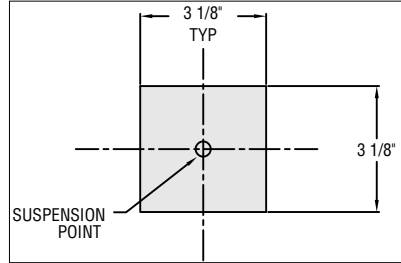
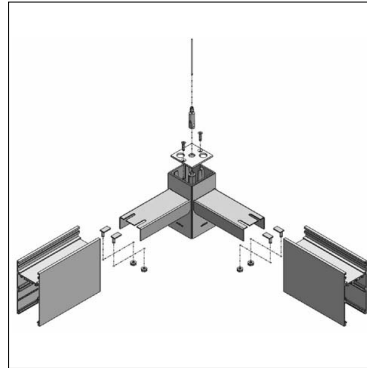
**Indirect/Direct** 2 1/4" w x 4 1/2" h fixtures

**Connector**

**Construction:** With Direct Fixtures: 2 1/4" high one piece .070" thick extruded aluminum with removable cover plate for easy access.

With Indirect/Direct Fixtures: 4 1/2" high one piece .070" thick extruded aluminum with removable cover plate for easy access.

**Finish:** Standard and premium finishes are baked powder coat electrostatically applied (2.0 mil. minimum thickness) to assure aesthetics and durability.



**Microlinea Series 3**

**Direct only** 3 1/8" w x 3 1/2" h fixtures

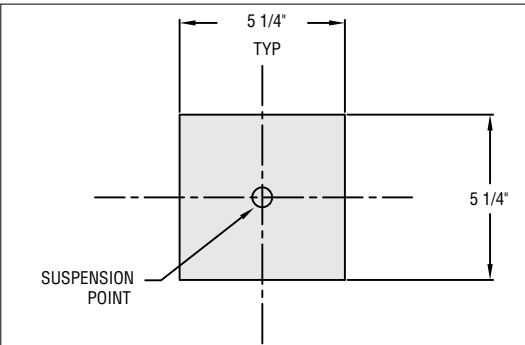
**Indirect/Direct** 3 1/8" w x 5" h fixtures

**Connector**

**Construction:** With Direct Fixtures: 3 1/2" high one piece .090" thick extruded aluminum with removable cover plate for easy access.

With Indirect/Direct Fixtures: 5" high one piece .090" thick extruded aluminum with removable cover plate for easy access.

**Finish:** Standard and premium finishes are baked powder coat electrostatically applied (2.0 mil. minimum thickness) to assure aesthetics and durability.



**Microlinea Series 5**

**Direct only** 5 1/4" w x 3 11/16" h fixtures

**Indirect/Direct** 5 1/4" w x 5 3/8" h fixtures

**Connector**

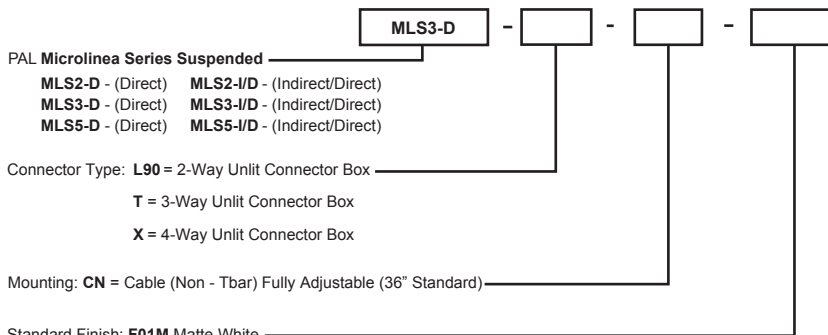
**Construction:** With Direct Fixtures: 3 11/16" high one piece .090" thick extruded aluminum with removable cover plate for easy access.

With Indirect/Direct Fixtures: 5 3/8" high one piece .090" thick extruded aluminum with removable cover plate for easy access.

**Finish:** Standard and premium finishes are baked powder coat electrostatically applied (2.0 mil. minimum thickness) to assure aesthetics and durability.

### H O W T O O R D E R

Sample Catalog Number: **MLS3-D - L90 - CN - F01M**



- PAL Microlinea Series Suspended
- MLS2-D - (Direct)    MLS2-I/D - (Indirect/Direct)
  - MLS3-D - (Direct)    MLS3-I/D - (Indirect/Direct)
  - MLS5-D - (Direct)    MLS5-I/D - (Indirect/Direct)

- Connector Type: **L90** = 2-Way Unlit Connector Box
- T** = 3-Way Unlit Connector Box
  - X** = 4-Way Unlit Connector Box

Mounting: **CN** = Cable (Non - Tbar) Fully Adjustable (36" Standard)

Standard Finish: **F01M** Matte White

- Premium Finishes:
- F01G** Gloss White    **F08** Gray Seal    **F14** Red Skies
  - F02** Ivory    **F09** Mocha    **F15** Lemon
  - F03** Stonewash    **F10** Bronzed    **F16** Forest Hunter
  - F04** Camel    **F11G** Gloss Black    **F20** Blue Print
  - F05** Gray Day    **F11M** Matte Black    **F21** Reflex Blue
  - F06** Pebble Beach    **F12** Ultrasonic Clear    **F22** Navy
  - F07** Steel    **F13** Merlot    **FCC** Custom Color

