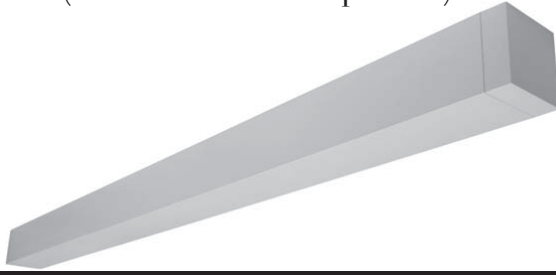


Microlinea™ Wall Mount Series 3 - Indirect - Asymmetric

(2 7/8" Luminous Aperture)



Catalog Number	Type
Project Name	

MLP3-IASY

3 11/16" X 3 1/2" Indirect-Asymmetric Wall Mount

ADA Compliant



S P E C I F I C A T I O N S

Housing

Two-piece construction comprised of .080" thick extruded aluminum. Die-cast aluminum end caps are secured with no visible fasteners. Standard lengths are nominal 2', 3', 4', 6', 8' and 12'. Provisions may be made for continuous rows of any length.

Finish

Standard and premium finishes are baked powder coat electrostatically applied (2.0 mil minimum thickness) to assure aesthetics and durability.

Indirect Optical Controls

(OP) Open Top - Asymmetric Distribution
(FDC) Lightly Frosted 100% extruded acrylic snap-in dust cover.

Reflector/Heat Sink

.040" thick die-formed aluminum finished with a high reflectance white enamel.

Circuitry

All fixtures are factory pre-wired for a single circuit. Provision for multiple switching/circuiting is optional.

Wiring

All fixtures intended for continuous rows are provided with factory installed quick-connect wiring.

Driver

Osram-Sylvania "Optotronic" power supply is UL/CUL recognized, 0-10V dimming available 120-277 universal voltage. 347V is available.

Light Engine

LED light source available for 3000K, 3500K, and 4000K CCT, in high and medium light outputs, and 80 or 90 CRI:

- HO** -High Output - Open Aperture
*3816 Total Delivered Lumens at 28 System Watts
- HO** -High Output - Frosted Dust Cover
*3234 Total Delivered Lumens at 28 System Watts
- MO** -Medium Output - Open Aperture
*2602 Total Delivered Lumens at 19 System Watts
- MO** -Medium Output - Frosted Dust Cover
*2205 Total Delivered Lumens at 19 System Watts
- CO** -Custom Output (Contact factory for available outputs)

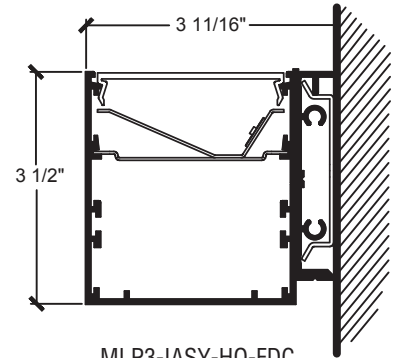
*Due to continued advancement in LED technology, lumen performance is subject to change. Please visit our website for the most up-to-date information.

Integral Controls

Contact factory for daylight and/or occupancy sensor controls.

Certification

All fixtures are ETL listed for use in 'Dry or Damp Locations'.



MLP3-IASY-HO-FDC
MLP3-IASY-MO-FDC
MLP3-IASY-CO-FDC
Shown with optional Frosted Dust Cover

Sample Catalog Number: **MLP3-IASY - HO - K35 - 80 - 4 - W - OP - F01M - 120 - DIM10**

PAL MLP3-IASY Indirect-Asymmetric	MLP3-IASY	-		-		-		-		-		-		-		-		-	
Lumen Output/4':	HO - High Output (Open) = 3816 Total Lms. - 136 Lm/W																		
(Using 3500K)	HO - High Output (FDC) = 3234 Total Lms. - 115 Lm/W																		
	MO - Medium Output (Open) = 2602 Total Lms. - 140 Lm/W																		
	MO - Medium Output (FDC) = 2205 Total Lms. - 119 Lm/W																		
	CO - Custom Outputs (Contact factory for available outputs)																		
CCT:	K30 - 3000K, K35 - 3500K, K40 - 4000K																		
CRI:	80 (Standard), 90 (Optional)																		
Fixture Length:	2', 3', 4', 6', 8', 12'																		
Mounting:	W = Wall Mount																		
Indirect Optical Controls:	OP = Open Top FDC = Frosted Dust Cover																		
Standard Finish:	F01M Matte White	Premium Finishes:	F01G Gloss White	F06 Pebble Beach	F11G Gloss Black	F15 Lemon													
	F02 Ivory		F07 Steel	F11M Matte Black	F16 Forest Hunter														
	F03 Stonewash		F08 Gray Seal	F12 Ultrasonic Clear	F20 Blue Print														
	F04 Camel		F09 Mocha	F13 Merlot	F21 Reflex Blue														
	F05 Gray Day		F10 Bronzed	F14 Red Skies	F22 Navy														
					FCC Custom Color														
Voltage:	120V, 277V, 347V or UNV (Universal Voltage)																		
Options:	NLCKT = Night-Light Circuit (Common Neutral)	EMCKT = Emergency Circuit (Separate Hot & Neutral)	EBPLST = Self-Test EM Battery Pack (6 Watt) *N/A for 2' & 3'																
	EBPHST = Self-Testing EM Battery Pack (10 Watt) *N/A for 2' & 3'	DIM10 = Dimming to 10%	DIM1 = Dimming - to 1%	DIM0 = Dimming - to 0% (Dark)															
	FS = Fused Drivers DL = Damp Location																		

Wall

MLP3-IASY-HO-K35-FDC

High Output - Indirect Asymmetric

Lightly Frosted Dust Cover

Catalog Number: MLP3-IASY-HO-K35-80-4'-X-FDC-120

Report Number: #LLIA001116-002.ies

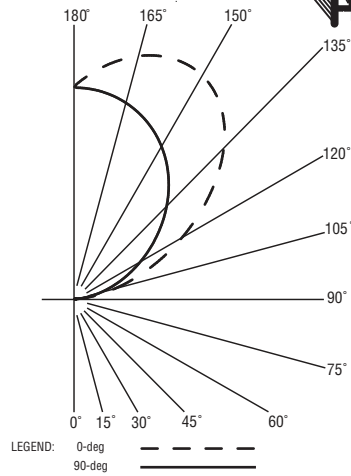
Luminaire Description: Extruded Aluminum Housing with White Aluminum Reflector and Lightly Frosted Acrylic Dust Cover.

LED Module: Multiple White Low-Power Light Emitting Diodes (LEDs) in a precise layout.

Total Luminaire Efficacy = 115.5 Lm/W

100% Up 0% Down

Color Rendering Index (CRI) = 82



ZONAL LUMEN SUMMARY

Zone	Lumens	%Fixture
180- 150	936	28.9
180- 140	1532	47.4
180- 120	2645	81.8
180- 90	3234	100.0
90- 0	0	0.0
180- 0	3234	100.0

CANDELA DISTRIBUTION

	0.0	22.5	45.0	67.5	90.0
90	0	0	0	0	0
95	48	49	50	45	35
105	249	250	242	213	166
115	541	537	508	440	340
125	876	862	806	692	535
135	1190	1165	1080	928	734
145	1401	1368	1268	1107	912
155	1472	1439	1348	1210	1052
165	1424	1400	1336	1245	1144
175	1292	1281	1256	1224	1190
180	1200	1200	1200	1200	1200

MLP3-IASY-HO-K35-OP

High Output - Indirect Asymmetric

Open Aperture

Catalog Number: MLP3-IASY-HO-K35-80-4'-X-OP-120

Report Number: #LLIA001116-003.ies

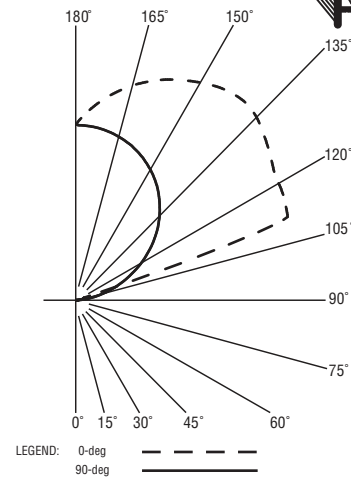
Luminaire Description: Extruded Aluminum Housing with White Aluminum Reflector and Open Aperture.

LED Module: Multiple White Low-Power Light Emitting Diodes (LEDs) in a precise layout.

Total Luminaire Efficacy = 136.3 Lm/W

100% Up 0% Down

Color Rendering Index (CRI) = 82



ZONAL LUMEN SUMMARY

Zone	Lumens	%Fixture
180- 150	873	22.9
180- 140	1459	38.2
180- 120	2798	73.3
180- 90	3816	100.0
90- 0	0	0.0
180- 0	3816	100.0

CANDELA DISTRIBUTION

	0.0	22.5	45.0	67.5	90.0
90	0	0	0	0	0
95	17	17	20	16	44
105	48	46	942	616	195
115	1469	1389	1140	884	380
125	1525	1474	1329	1025	573
135	1634	1594	1429	1122	747
145	1642	1590	1428	1189	892
155	1550	1513	1394	1216	1001
165	1421	1393	1315	1204	1073
175	1238	1224	1194	1155	1111
180	1120	1120	1120	1120	1120

For more information, visit our website at www.pal-lighting.com

