

Microlinea™ Wall Series 3 - LED

(2 7/8" Luminous Aperture)



Catalog Number	Type
Project Name	

MLP3-Direct

3 1/8" H X 3 1/8" W Direct Wall Mount

ADA Compliant



S P E C I F I C A T I O N S

Housing

One-piece .080" thick extruded aluminum. Die-cast aluminum end caps are secured with no visible fasteners. Standard lengths are nominal 2', 3', 4', 6', 8' and 12'. Provisions may be made for patterns and continuous rows of any length.

Finish

Standard and premium finishes are baked powder coat electrostatically applied (2.0 mil minimum thickness) to assure aesthetics and durability.

Optical Controls

(LOH) LED optimized high transmittance acrylic snap-in lens.

Reflector/Heat Sink

.040" thick die-formed aluminum finished with a high reflectance white enamel.

Circuitry

All fixtures are factory pre-wired for a single circuit. Provision for multiple switching/circuiting is optional.

Wiring

All fixtures intended for continuous rows are provided with factory installed quick-connect wiring.

Driver (Standard)

Osram-Sylvania "Optotronic" power supply is UL/CUL recognized, 0-10V dimming available, 120-277 universal voltage. 347V is available.

Light Engine (Standard)

LED light source available standard for 3000K, 3500K and 4000K CCT, in high and medium light outputs, and 80 or 90 CRI. Standard outputs at 80 CRI:

HO - High Output

*2983 Total Delivered Lms. at 29 System Watts

MO - Medium Output

*1853 Total Delivered Lms. at 17 System Watts

(*All values per 4' using 3500K LED modules)

Driver (Tunable White)

EldoLED power supply is UL recognized, DALI, 0-10V or DMX available, 120-277 universal voltage.

Light Engine (Tunable White)

Tunable White LED light source available for 2700K thru 6500K CCT, and 80 or 90 CRI.

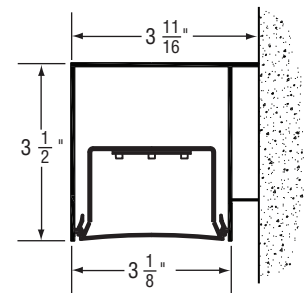
Contact factory for available outputs.

Integral Controls

Contact factory for daylight and/or occupancy sensor controls.

Certification

Fixtures are ETL listed for use in 'Dry or Damp Applications.' Conforms to UL #1598 and to CAN/CSA #C22.2No.250.0.



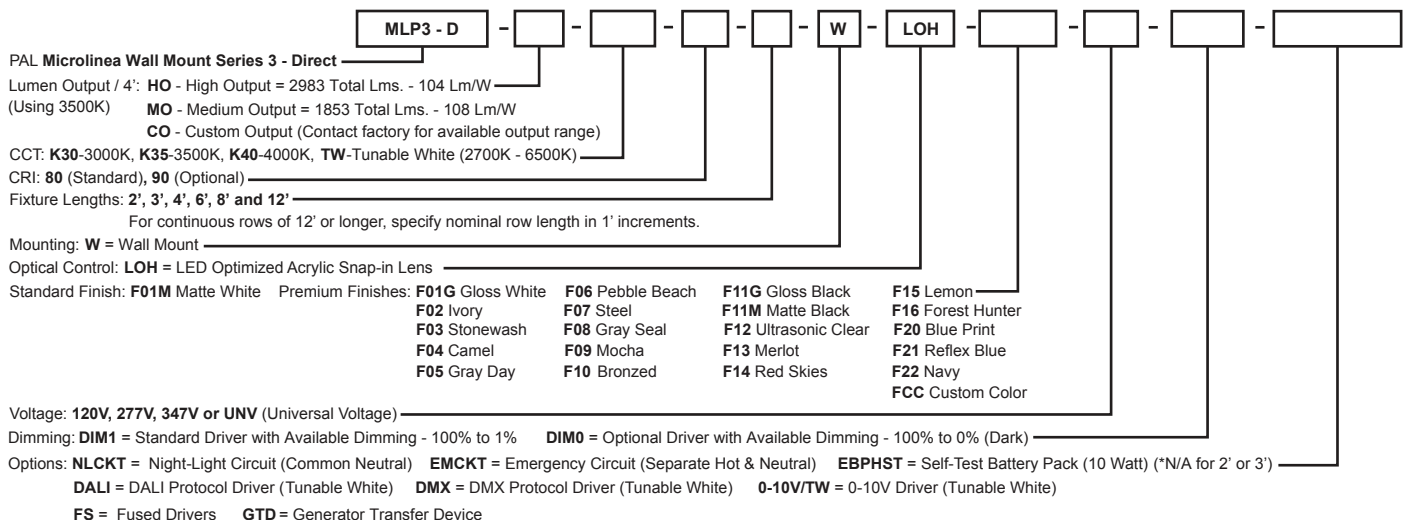
MLP3-D-HO

MLP3-D-MO

Note: LED drivers are factory programmable. Custom lumen outputs are available at no additional charge. Consult factory.

*Due to continued advancement in LED technology, lumen performance is subject to change. Please visit our website for the most up-to-date information.

Sample Catalog Number: **MLP3 - D - HO - K40 - 80 - 4 - W - LOH - F01M - 120 - DIM1 - OPTIONS**



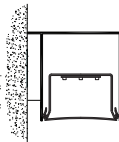
Precision Architectural Lighting 4830 Timber Creek Drive Houston, Texas 77017
 Tel 713.946.4343 Fax 713.946.4441 www.pal-lighting.com



Made in America

Wall Mount

MLP3-HO-K35-LOH



High Output

LED Optimized High Transmittance Lens

Catalog Number: MLP3-HO-K35-80-4'-X-LOH-120

Report Number: #LLIA001201-002.ies

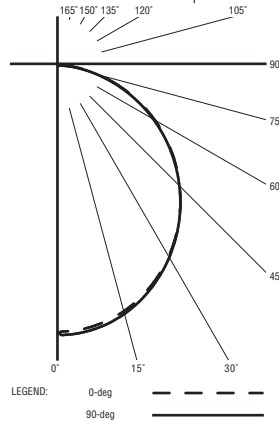
Luminaire Description: Extruded Aluminum Housing with White Aluminum Reflector and LED Optimized Acrylic Lens.

LED Module: Multiple White Low-Power Light Emitting Diodes (LEDs) in a precise layout.

Total Luminaire Efficacy = 103.9 Lm/W

0% Up 100% Down

Color Rendering Index (CRI) = 82



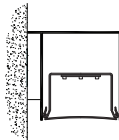
ZONAL LUMEN SUMMARY

Zone	Lumens	% Fixture
0- 30	832	27.9
0- 40	1354	45.4
0- 60	2368	79.4
0- 90	2983	100.0
90- 180	0	0.0
0- 180	2983	100.0

CANDELA DISTRIBUTION

	0.0	22.5	45.0	67.5	90.0
0	1086	1086	1086	1086	1086
5	1075	1076	1079	1083	1088
15	1032	1032	1034	1038	1041
25	948	948	949	952	954
35	833	833	832	834	835
45	694	695	693	694	693
55	538	538	536	535	533
65	367	368	365	363	361
75	191	191	191	190	189
85	41	43	45	46	46
90	0	0	1	1	1

MLP3-MO-K35-LOH



Medium Output

LED Optimized High Transmittance Lens

Catalog Number: MLP3-MO-K35-80-4'-X-LOH-120

Report Number: #LLIA001201-001.ies

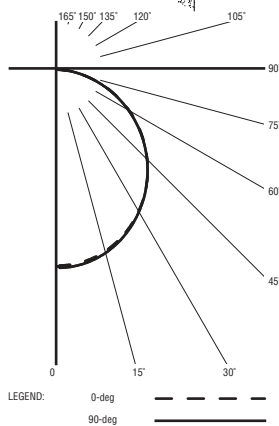
Luminaire Description: Extruded Aluminum Housing with White Aluminum Reflector and LED Optimized Acrylic Lens.

LED Module: Multiple White Low-Power Light Emitting Diodes (LEDs) in a precise layout.

Total Luminaire Efficacy = 107.5 Lm/W

0% Up 100% Down

Color Rendering Index (CRI) = 82



ZONAL LUMEN SUMMARY

Zone	Lumens	% Fixture
0- 30	517	27.9
0- 40	841	45.4
0- 60	1471	79.4
0- 90	1853	100.0
90- 180	0	0.0
0- 180	1853	100.0

CANDELA DISTRIBUTION

	0.0	22.5	45.0	67.5	90.0
0	675	675	675	675	675
5	668	669	671	673	676
15	641	642	643	645	647
25	589	589	590	592	593
35	518	518	517	519	519
45	432	432	431	431	430
55	334	334	333	332	331
65	228	228	227	226	224
75	119	119	118	118	117
85	26	26	28	29	28
90	0	0	0	1	1

For more information, visit our website at www.pal-lighting.com



Precision Architectural Lighting 4830 Timber Creek Drive Houston, Texas 77017
Tel 713.946.4343 Fax 713.946.4441 www.pal-lighting.com



Made in America