



# PUK-L Fixture Guide



Indoor | Surface | Low output up to 190lm/module

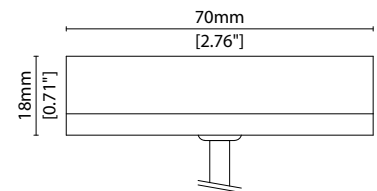


### Key applications

- ✓ Bathrooms
- ✓ Cabinet/Furniture
- ✓ Display case
- ✓ Downlighting
- ✓ Interior
- ✓ Orientation lighting
- ✓ Shelving display
- ✓ Under cabinet
- ✓ Wardrobe

### Key features

- ✓ Decorative
- ✓ Diffusion: Homogenous
- ✓ Direct view
- ✓ Flat Panel
- ✓ Form factor: Medium
- ✓ IP44
- ✓ Output low





# PUK-L

## Specification sheet



<b>Dimension</b>	H18/Ø70mm (H0.71/Ø2.76in)
<b>Chip</b>	<b>k-line</b> Toyoda Gosei or Equivalent
<b>Beam angle</b>	90° (Clear Cover) 115° (Diffused Cover) 45° (Louvre+Clear Cover)
<b>Colours</b>	<b>k-line</b> 1900K/2100K/2300K/2500K/2700K/3000K/3500K/4000K/5000K
<b>Bin/Step</b>	<b>k-line</b> 3-step MacAdam ellipse
<b>CRI</b>	≥ 90
<b>Lifetime</b>	50,000 hours @ 25°C (50,000 hours @ 77°F)
<b>Operating temp</b>	T <sub>a</sub> = -25 to 45°C (T <sub>c</sub> max = 71.4°C) T <sub>a</sub> = -13 to 113°F (T <sub>c</sub> max = 160.5°F)
<b>IP rating</b>	IP44
<b>Finish</b>	Silver anodised or Black
<b>Cover/lens</b>	Diffused/Clear (Optional honeycomb Louvre accessory)
<b>Mounting</b>	Surface mounted via screws (supplied)
<b>Power feed</b>	Single sheathed hardwire tail
<b>Control</b>	0-10V/1-10V/DMX/DALI



### LED Grading Key

#### Base Grade

- k-line**  
3-step commercial range  
Energy Star CCTs

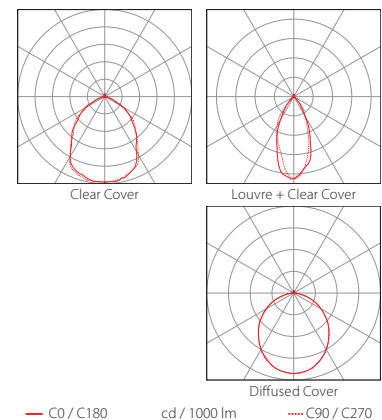
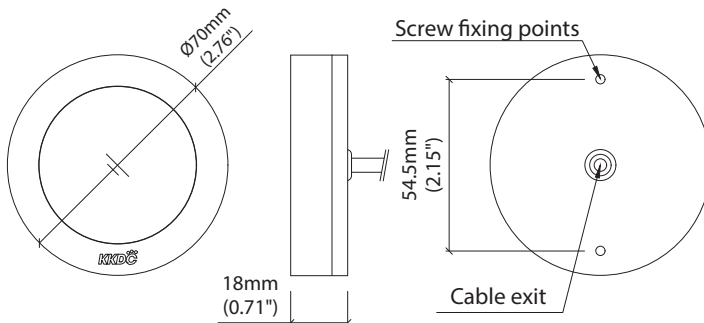
### PERFORMANCE DATA @ 3000K

Power consumption	Supply voltage	Supply current
3.60W	24V DC	0.15A

### Colour Rendering Index (CRI)

	R1	R2	R3	R4	R5	R6	R7	R8	R9	R10	R11	R12	R13	R14
<b>k-line</b>	94	97	98	93	93	96	92	83	60	93	94	82	95	99

	Clear Cover	Louvre + Clear Cover	Diffused Cover	CRI	R9	Rf	Rg
<b>k-line</b>	190lm/module 52.9lm/W	60lm/module 16.6lm/w	150lm/module 41lm/W	92	61	90	100



Data derived from independent UKAS/IESNA LM-79-08 accredited testing of production samples.



# PUK-L Code Table



## FIXTURE

Model	Finish	Cover	Grade <sup>1</sup>	LED	Colour (CCT)	IP	Cable Length	Power Feed	Lens	Input													
PUK-L	PL	Silver Anodised	SA	Clear	B	k	142	1900K	19	IP44	44	1000mm/39.37"	1000	Single ø4.3mm sheath tail	S00A	No lens	XX	DC 24V	g				
																				Diffused	C	2100K	21
																				Clear+Micro Louvre	K	2300K	23
																						2500K	25
																						2700K	27
																						3000K	30
																						3500K	35
																						4000K	38
																						5000K	50

<sup>1</sup> Refer to LED Grading Key on Specification sheet page

## Code Example:

PL	-	SA	-	B	-	k	-	142	-	30	-	44	-	1000	-	S00A	-	XX	-	g
PUK-L		Silver Anodised		Clear		k		PUK-L		3000K		IP44		1000mm/39.37"		Single ø4.3mm sheath tail		No lens		DC 24V

## ACCESSORIES

### Mounting Accessories

PUHC-01	5mm Honeycomb louvre
---------	----------------------

\* Refer to Mounting accessories on Accessories pages

### PSU/Driver

0-10V/1-10V/DALI/DMX

\* Refer to Driver/PSU Options page for details or provide requirement and KKDC to offer the suitable option

## LED ENGINE VARIANTS (LED STRIP TYPE)

Luminaire	Output	LED	Lumen/module	W	Spec Doc	Dimension
PUK-L	Low	143	190/module	3.6	PUK-L	H18/Ø70mm (H0.71/Ø2.76in)

\* Performance data: k-line, clear cover, 3000K

**MOUNTING ACCESSORIES**

Note: Accessories are to be ordered separately with corresponding code shown below.



**PUHC-01**

5mm Honeycomb louvre  
(Includes clip)  
Black finish

**KKDC CONTROL**



IP20  
Plastic housing  
L170/W59/H29mm  
(L6.69/W2.32/H1.14in)

**KKDM-06** 1-10V

visDIM dimmable sub-controller  
(4 x 8A max @ 12-36V)



IP20  
Plastic housing  
L170/W53.4/H28mm  
(L6.69/W2.10/H1.10in)

**KKSC-05** DMX

visDIM dimmable sub-controller  
(4 x 5A max @ 12-36V)



IP20  
Plastic housing  
L170/W59/H29mm  
(L6.69/W2.32/H1.14in)

**KKDL-02** DALI

visDIM dimmable sub-controller  
(4 x 8A max @ 12-36V)



IP20  
Plastic housing  
L166/W53.4/H23mm  
(L6.54/W2.10/H0.91in)

**KKDL-03** DALI

visDIM dimmable sub-controller  
(4 x 5A max @ 12-36V)



# PUK-L Driver/PSU Options



## AVAILABLE PSU OPTIONS

Control Mode	PSU (Order Code)	Input Voltage AC	Output Voltage DC	Rated Output Current	Rated Power	Dim %	IP Rating
Switched	CEN-60-24	90-295V	24V	2.5A	60W	-	IP67
	HLG-60H-24	90-305V	24V	2.5A	60W	-	IP67
	HLG-100H-24	90-305V	24V	4.0A	100W	-	IP67
	HLG-150H-24	90-305V	24V	6.3A	150W	-	IP67
	HLG-240H-24	90-305V	24V	10A	240W	-	IP67
0-10V (1-10V)	PWM-40-24	90-305V	24V	1.67A	40W	100-0.15 (100-10)	IP67
	PWM-60-24	90-305V	24V	2.5A	60W	100-0.15 (100-10)	IP67
	PWM-90-24	90-305V	24V	3.67A	90W	100-0.15 (100-10)	IP67
	PWM-120-24	90-305V	24V	5.0A	120W	100-0.15 (100-10)	IP67
DALI	LIN100A1	120-277V	24V	1A per channel	100W	100-0.1	IP66/IP40
DMX RGB	LIN100A1	120-277V	24V	1.33A per channel	100W	100-0.1	IP66/IP40
DMX RGBW	LIN100A1	120-277A	24V	1A per channel	100W	100-0.1	IP66/IP40

## Flicker Free Options - Combination of PSU+ sub-controller

Control Mode	PSU (Order Code)	Sub-controller (Order Code)	Input Voltage AC	Output Voltage DC	Rated Output Current	Rated Power	Dim %	IP Rating PSU/ Sub-controller
0-10V or 1-10V	CEN-60-24	KKDM-06	90-295V	24V	2.5A	60W	100-0.9	IP67/IP20
	HLG-60H-24	KKDM-06	90-295V	24V	2.5A	60W	100-0.9	IP67/IP20
	HLG-100H-24	KKDM-06	90-295V	24V	4.0A	100W	100-0.9	IP67/IP20
	HLG-150H-24	KKDM-06	90-295V	24V	6.3A	150W	100-0.9	IP67/IP20
	HLG-240H-24	KKDM-06	90-295V	24V	10.0A	240W	100-0.9	IP67/IP20
DALI	CEN-60-24	KKDL-02/03	90-295V	24V	2.5A	60W	100-0.1	IP67/IP20
	HLG-60H-24	KKDL-02/03	90-305V	24V	2.5A	60W	100-0.1	IP67/IP20
	HLG-100H-24	KKDL-02/03	90-305V	24V	4.0A	100W	100-0.1	IP67/IP20
	HLG-150H-24	KKDL-02/03	90-305V	24V	6.3A	150W	100-0.1	IP67/IP20
	HLG-240H-24	KKDL-02/03	90-305V	24V	10.0A	240W	100-0.1	IP67/IP20
DMX RGB	CEN-60-24	KKSC-05	90-295V	24V	2.5A	60W	100-0.9	IP67/IP20
	HLG-60H-24	KKSC-05	90-305V	24V	2.5A	60W	100-0.9	IP67/IP20
	HLG-100H-24	KKSC-05	90-305V	24V	4A	100W	100-0.9	IP67/IP20
	HLG-150H-24	KKSC-05	90-305V	24V	6.3A	150W	100-0.9	IP67/IP20
	HLG-240H-24	KKSC-05	90-305V	24V	10.0A	240W	100-0.9	IP67/IP20

<sup>1</sup> The items shown above cover the most frequently used specification but does not exhaust the possible options

<sup>2</sup> PSU and/or driver can be chosen from the table, or KKDC may recommend the best option upon receipt of the controls requirement and installation environment

<sup>3</sup> Electrical shop drawing will include detailed information of PSU and relevant control drivers

<sup>4</sup> Cut sheets are available on the controls section of [www.kkdc.lighting](http://www.kkdc.lighting) or upon request