

Medical MRI Downlight: ML-IBD-LED

Non-Magnetic Sealed 6" Aperture LED Recessed Downlight

- **Non-Ferrous Construction for use in MRI Suites**
- **IP65 Rated**
- **Available Entrance Filters for MRI Compatibility**
- **Each Fixture Supplied With Remote Mounted Driver**
- **B.A.A. Compliant & Made in the USA by a Family Owned US Corporation**



DISCLAIMER: Although KURTZON has prepared the information contained in this document with all due care, KURTZON does not warrant or represent that the information is free from errors or omission. Whilst the information is considered to be true and correct at the date of publication, changes in circumstances after the time of publication may impact on the accuracy of the information. The information may change without notice and KURTZON is not in any way liable for the accuracy of any information printed and stored or in any way interpreted or used.

ORDERING GUIDE

Series	Material	Size	LED Type	CCT/CRI	Voltage	Baffle	Door (Trim)	Optics	Options			
ML-IBD	4	8			UNV							
Series	Material	Size	Light Source		Voltage	Baffle	Door (Trim) Finish	Optics	Options			
ML-IBD	4 Non-Magnetic	8" Housing	LED Type	CCT/CRI	UNV: 120V-277V	WB: White Grooved Baffle BB: Black Grooved Baffle NB: Nickel Baffle SR: Specular Reflector	WF: White Painted Trim ST: Polished Stainless Trim	LEX: 0.125" Clear Flat Polycarbonate Lens FPL: 0.125" Frosted Flat Polycarbonate Lens FAL: 0.125" Frosted Flat Acrylic Lens GH65: 0.125" Flat Diffused Polycarbonate With Glare Suppression Distribution	FC Fuse & Holder (One Supplied Per Circuit) EM7 Remote Mount 7W Battery Pack (Specify Input Voltage) PxL* Programmed to User Specified Lumen Value. PxW* Programmed to User Specified Wattage Value. 10KV 10KV Parallel Surge Protection (One Supplied Per Circuit)			
			DLM15:1500LM Package	83						3000K	90+ CRI:	
			DLM20:2000LM Package	830						3500K	930	3000K
			DLM30:3000LM Package	835						4000K	935	3500K
				840						5000K	940	4000K
				850								

NOTE: Lumen packages are nominal, verify actual values on the energy data chart

Note*: LEX option is standard and will be provided when no other option is selected.

Note*: Specify Value in Ordering Notes Below

Required Accessories Ordered Separately

- MRIF3 Three circuit filter for 3 fixtures
- MRIF6 Entrance filter for 6 fixtures
- MRIF9 Entrance filter for 9 fixtures

Ordering Notes, if Applicable

Medical MRI Downlight: ML-IBD-LED

Non-Magnetic Sealed 6" Aperture LED Recessed Downlight

SPECIFICATIONS

HOUSING: Non-magnetic stainless steel body and spun aluminum housing and plaster frame. All hardware and components are not magnetic.

DOOR FRAME: Aluminum or stainless steel formed with continuous lens hold-down system and screwless entry. Cleanroom style construction with a smooth cleanable surface with no crevices.

GASKETS: Closed microcellular extruded gasket located at interface of door to housing. Silicone seals the lens to the door.

BAFFLE: Supplied with a wide variety of baffles and reflectors. See options for availability.

OPTICS: Clear non-prismatic nominal 1/8" thick polycarbonate lens is standard and will be provided when no options are selected. Other options include frosted or glare suppression film overlays. All lenses are mechanically secured and silicone sealed to door frame.

LED: LEDs are available in several lumen configurations as well as 80 & 90 CRI. Up to 3400 Lumens delivered and supplied with an integrated heatsink to maintain thermal efficiency and prolong the life of the light engine.

ELECTRICAL: Constant current static low voltage DC provided from included remote driver. Drivers are 0-10v dimming standard as 1% and are supplied with the fixtures in a remote enclosure. Proprietary MRI Entrance filters comply with MIL-461 for conducted emissions and must be purchased separately.

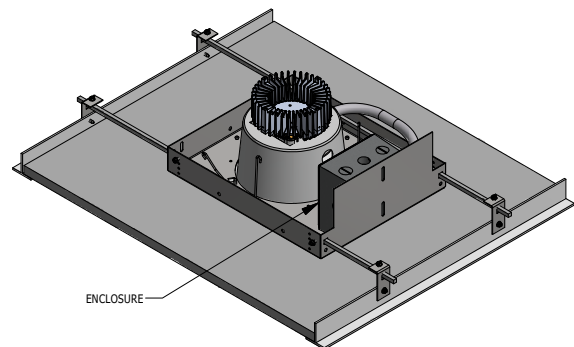
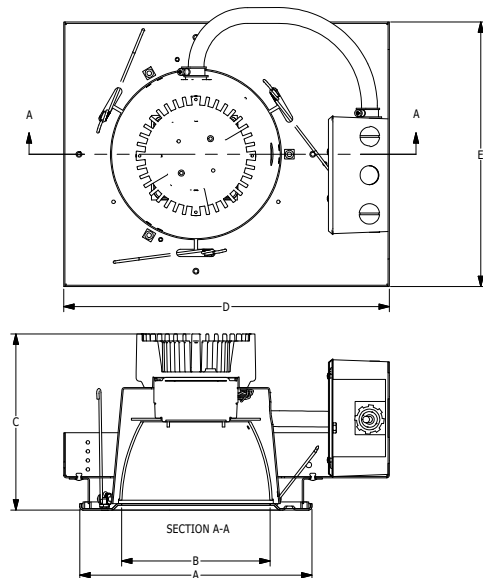
INSTALLATION: Suitable for recessed Non-IC Installations into covered ceilings. Adjustable brackets allow for seismic support and secure attachment to metal T-Bars, joists or structural metal framing. Sealed 1/2 inch trade size knockouts for wiring. Suitable for 1, 1.5 and 2 inch T-bar widths as well as drywall or plaster ceiling.

FINISH: Antimicrobial white polyester powder coat on doorframe surface. Stainless steel trims are satin polished.

LISTINGS: IP65 rated for dust and water ingress. ETL listed per UL_1598 for wet locations. Military Standard 461F compliant for conducted and radiated emissions. Non-Magnetic construction. Drivers and LEDs are covered by a 5 year warranty, the remaining fixture is covered by a 10 year warranty. This product is Buy American Act (B.A.A.) compliant.

PRODUCT DRAWINGS

DOWNLIGHT REFERENCE DIMENSIONS						
MODEL	DIM A	DIM B	DIM C	DIM D	DIM E	DIM F
SBD/IBD	9.00"	5.75"	6.85"	12.65"	10.25"	26.00"



12-AA-L-DOWNLIGHT DWG DATE: 4/11/2107

Medical MRI Downlight: ML-IBD-LED

Non-Magnetic Sealed 6" Aperture LED Recessed Downlight

ENERGY DATA

SEALED LED DOWNLIGHT						
LIGHT PACKAGE	CRI	DELIVERED LUMENS (Lm) ¹	WATTAGE (W) ²	EFFICACY (LM/W)	DIMMING AVAILABILITY	MAX AMBIENT TEMP (°C) ³
DLM15	80+	1,536	18	85.3	0-10V 1%	40°C (104°F)
DLM15	90+	1,532	21	73.0	0-10V 1%	40°C (104°F)
DLM20	80+	2,117	21	100.8	0-10V 1%	40°C (104°F)
DLM20	90+	2,047	30	68.2	0-10V 1%	40°C (104°F)
DLM30	80+	3,454	42	82.2	0-10V 1%	40°C (104°F)
DLM30	90+	3,277	51	64.3	0-10V 1%	40°C (104°F)
EM7	NA	440-570Lm	4	NA	0-10V 1%	35°C (95°F)

- 1: DELIVERED LUMEN DATA IS EXTRAPOLATED FROM MEASURED DATA @25C WITH NO EXTRA OPTIONS.
- 2: WATTAGE IS MEASURED @ 120vAC AND Tambient = 25C. WATTAGES MAY VARY AND WHEN OPTIONS ARE SELECTED
- 3: MAX TEMP RATING IS WITH NO OTHER OPTIONS SELECTED.(NON-IC)

PHOTOMETRICS

CLEAR LENS

Key:

