

Medical Surgical Downlight: ML-SBD-LED

Sealed Filtered LED Recessed Downlight with 6" Aperture

- **For Medical Patient, Exam, & Operating Rooms**
- **IP65 Rating**
- **Provided With Line Voltage Filter for Conducted Emissions**
- **Up to 3,400 Lumens Delivered**
- **B.A.A. Compliant & Made in the USA by a Family Owned US Corporation**



DISCLAIMER: Although KURTZON has prepared the information contained in this document with all due care, KURTZON does not warrant or represent that the information is free from errors or omission. Whilst the information is considered to be true and correct at the date of publication, changes in circumstances after the time of publication may impact on the accuracy of the information. The information may change without notice and KURTZON is not in any way liable for the accuracy of any information printed and stored or in any way interpreted or used.

ORDERING GUIDE

Series	Material	Size	LED Type	CCT/CRI	Voltage	Baffle	Door (Trim)	Optics	Options	
ML-SBD	4	8			UNV					
Series	Material	Size	Light Source		Voltage	Baffle	Door (Trim) Finish	Optics	Options	
ML-SBD	4 Non-Magnetic	8" Housing	LED Type	CCT/CRI	UNV: 120V-277V	WB: White Grooved Baffle BB: Black Grooved Baffle NB: Nickel Baffle SR: Specular Reflector	WF: White Painted Trim SF: Polished Stainless Trim	LEX:	FC	
			DLM15: 1500LM Package	83				3000K	FPL:	EM7
			DLM20: 2000LM Package	835				3500K	FAL:	PxL*
			DLM30: 3000LM Package	840				4000K	GH85:	PxW*
				850				5000K		10KV
										LDE1

Ordering Notes, If Applicable

Medical Surgical Downlight: ML-SBD-LED

Sealed Filtered LED Recessed Downlight with 6" Aperture

SPECIFICATIONS

HOUSING: Stainless steel body and spun aluminum housing and plaster frame.

DOOR FRAME: Aluminum or stainless steel formed with continuous lens hold-down system and screwless entry. Cleanroom style construction with a smooth cleanable surface with no crevices.

GASKETS: One piece gasket located at interface of door to housing silicone seals the door to the lens.

REFLECTOR: Supplied with a wide variety of baffles and reflectors. See options for availability.

OPTICS: Clear non-prismatic nominal 1/8" thick polycarbonate lens is standard and will be provided when no options are selected. Other options include frosted or glare suppression film overlays. All lenses are mechanically secured and silicone sealed to door frame.

LED: LEDs are available in several lumen configurations as well as 80 & 90 CRI. Up to 3400 Lumens delivered and supplied with an integrated heatsink to maintain thermal efficiency and prolong the life of the light engine.

ELECTRICAL: Integrated constant current static low voltage DC commercial driver designed specifically for LED array. Driver has 0-10V dimming control to 1%. See options for specified drivers, Lutron controls compatible driver, or other electrical component availability. Provided with Line voltage filter to reduce risk of electrical interference.

INSTALLATION: Suitable for recessed Non-IC Installations into covered ceilings. Four adjustable L-brackets allow for seismic support and secure attachment to metal T-Bars, joists or structural metal framing. Sealed 1/2 inch trade size knockouts for wiring. Suitable for 1, 1.5 and 2 inch T-bar widths as well as drywall or plaster ceilings. Suitable for NON-IC installation.

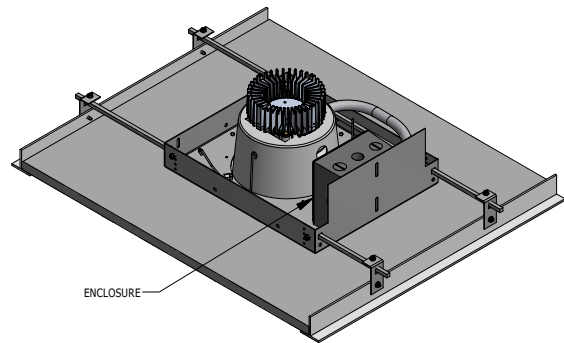
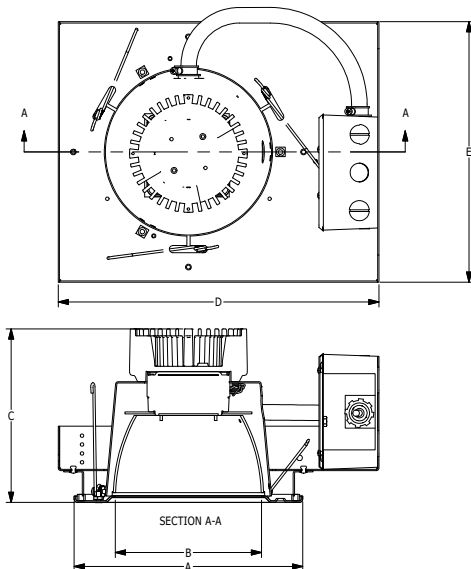
FINISH: Antimicrobial white polyester powder coat on doorframe surface. Stainless steel trims are satin polished.

LISTINGS: ETL Listed for Wet Locations. Suitable for non-IC installation. IP-65 dust and water jet resistance. IBEW Union Label. Compliant with MIL-461F for conducted and radiated emissions. This product is Buy American Act (B.A.A.) compliant.

5/10 YEAR WARRANTY: The driver(s), LED's and EM packs are covered by a five (5) year warranty. The remaining fixture is covered by a ten (10) year warranty. See warranty statement at kurtzon.com for complete details

PRODUCT DRAWINGS

DOWNLIGHT REFERENCE DIMENSIONS						
MODEL	DIM A	DIM B	DIM C	DIM D	DIM E	DIM F
SBD/IBD	9.00"	5.75"	6.85"	12.65"	10.25"	26.00"



12-AA-L-DOWNLIGHT DWG DATE: 4/11/2107

Medical Surgical Downlight: ML-SBD-LED

Sealed Filtered LED Recessed Downlight with 6" Aperture

ENERGY DATA

SEALED LED DOWNLIGHT						
LIGHT PACKAGE	CRI	DELIVERED LUMENS (Lm) ¹	WATTAGE (W) ²	EFFICACY (LM/W)	DIMMING AVAILABILITY	MAX AMBIENT TEMP (°C) ³
DLM15	80+	1,536	18	85.3	0-10V 1%	40°C (104°F)
DLM15	90+	1,532	21	73.0	0-10V 1%	40°C (104°F)
DLM20	80+	2,117	21	100.8	0-10V 1%	40°C (104°F)
DLM20	90+	2,047	30	68.2	0-10V 1%	40°C (104°F)
DLM30	80+	3,454	42	82.2	0-10V 1%	40°C (104°F)
DLM30	90+	3,277	51	64.3	0-10V 1%	40°C (104°F)
EM7	NA	440-570Lm	4	NA	0-10V 1%	35°C (95°F)

- 1: DELIVERED LUMEN DATA IS EXTRAPOLATED FROM MEASURED DATA @25C WITH NO EXTRA OPTIONS.
- 2: WATTAGE IS MEASURED @ 120vAC AND Tambient = 25C. WATTAGES MAY VARY AND WHEN OPTIONS ARE SELECTED
- 3: MAX TEMP RATING IS WITH NO OTHER OPTIONS SELECTED.(NON-IC)

PHOTOMETRICS

CLEAR LENS

Key:

