

Food Processing Vaportight: FP-SEG-1520-LED

Food Processing 15" x 2' Linear Vaportight LED Luminaire for Surface or Pendant Mounting

- High Lumen Packages, up to 20,200Lm Delivered
- Ambient operating temps as Low as -40C(-40F) and as High as +45C(+113F) (Temps Vary by Configuration. Verify in Energy Data Section)
- NSF2 Listed for Non-Food, Splash, and Food Zone Non-Contact
- IP65 / IP66 / IP69 / (Optional IP67)
- 1500 PSI hosedown
- UL 1598 Wet Location
- Marine grade 316 stainless steel latches & Mounting brackets
- Nema4X
- UL 5VA Rated (will not melt or burn)
- Polycarbonate Lens: Clear / Frosted
- B.A.A. Compliant & Made in the USA by a Family Owned US Corporation



DISCLAIMER: Although KURTZON has prepared the information contained in this document with all due care, KURTZON does not warrant or represent that the information is free from errors or omission. Whilst the information is considered to be true and correct at the date of publication, changes in circumstances after the time of publication may impact on the accuracy of the information. The information may change without notice and KURTZON is not in any way liable for the accuracy of any information printed and stored or in any way interpreted or used.

ORDERING GUIDE

Series	Lumen Package	CCT	Optics	Voltage	Controls	Mounting	Sensors	Options
FP-SEG-1520								
Series	Lumen Package	CCT/CRI	Optics	Voltage	Controls	Mounting (Not Required)	Sensors (Not Required)	Options
FP-SEG-1520	2LO 2 Rows of Low Flux LED's	83 CRI:	CP Clear Polycarbonate	UNV (120-277 Vac)	DIM1 0-10V 1%	V-Hook Mounting Hooks	OCC MW Microwave Occ Sensor (Internal 32" MAX)	PxW * Programmed to Specified Wattage (Replace X with Watts)
	3LO 3 Rows of Low Flux LED's	830 3000K	FP Frost Polycarbonate	HV (347-480 Vac)	DIMS 0-10V 5%	RMB Ridge Mtg Beam	OCC HB Highbay Occ Sensor (End Mount 20"-40")	PxL * Programmed to User Specified Lumens (Replace X with Lumens)
	4LO 4 Rows of Low Flux LED's	835 3500K	GA Clear Acrylic		DALI DALI 1%	SMB Surface Mtg Bracket	OCC LB Lowbay Occ Sensor (End Mount 8"-10")	10KV 10KV Parallel Surge Protection (One Supplied Per Circuit)
	6LO 6 Rows of Low Flux LED's	840 4000K	FA Frost Acrylic		2/ED 2 Circuits	FMB Flex Mtg Brackets	DL/OCC HB Daylight & Highbay Occ Sensor (End Mount 40" MAX)	3WC 3 Wire Cord (Must Provide Specs)
	2HI 2 Rows of High Flux LED's	850 5000K			LUTRON (Specify Type)	SCM Single Conduit Stem	DL/OCC LB Daylight & Lowbay Occ Sensor (End Mount 8" MAX)	WHIP Must Specify Length and Wire Qty
	4HI 4 Rows of High Flux LED's				OTHER (Must Specify)		OTHERS Must Specify	EM10** 10W Integral Emergency Driver (Specify Voltage & Switching)
		90+ CRI:						FF Fuse & Fuse Holder (One per Specified Circuit)
		935 3500K						IP67 Optional IP67 Rating
		940 4000K						NOTE**: EM10 not available with 4hi led selection

Ordering Notes, If Applicable

Food Processing Vaportight: FP-SEG-1520-LED

Food Processing 15" x 2' Linear Vaportight LED Luminaire for Surface or Pendant Mounting

SPECIFICATIONS

HOUSING: Injection molded, .125" thick Hole Free White Fiberglass body with sloped top Surface to prevent water accumulation. 5VA Flame Rating

OPTICS: Injection molded Heavy gauge Clear or Frosted Acrylic or Polycarbonate. Secured by Captive Stainless Steel cables.

REFLECTOR: Standard (92%) High Reflectance white 22 gauge metal. Formed wiring cover for rigidity. Removable without tools or screws.

GASKETS: One piece urethane extruded foam with smooth surface.

LATCHES: Ten (10) 316 Stainless Steel over-center latches secure lens to housing.

MOUNTING: Provided with (4) mounting brackets for suspending (cables by others). See mounting options for other configurations.

LEDS: Commercially available in a wide variety of Color Temperature (CCT), FLUX, and CRI. Highly efficient and consistent color maintained to 3 SDMC for color critical applications. B50/L70 and compliant with Zhaga recognized hole patterns. Consult factory for LED options or configurations not listed below.

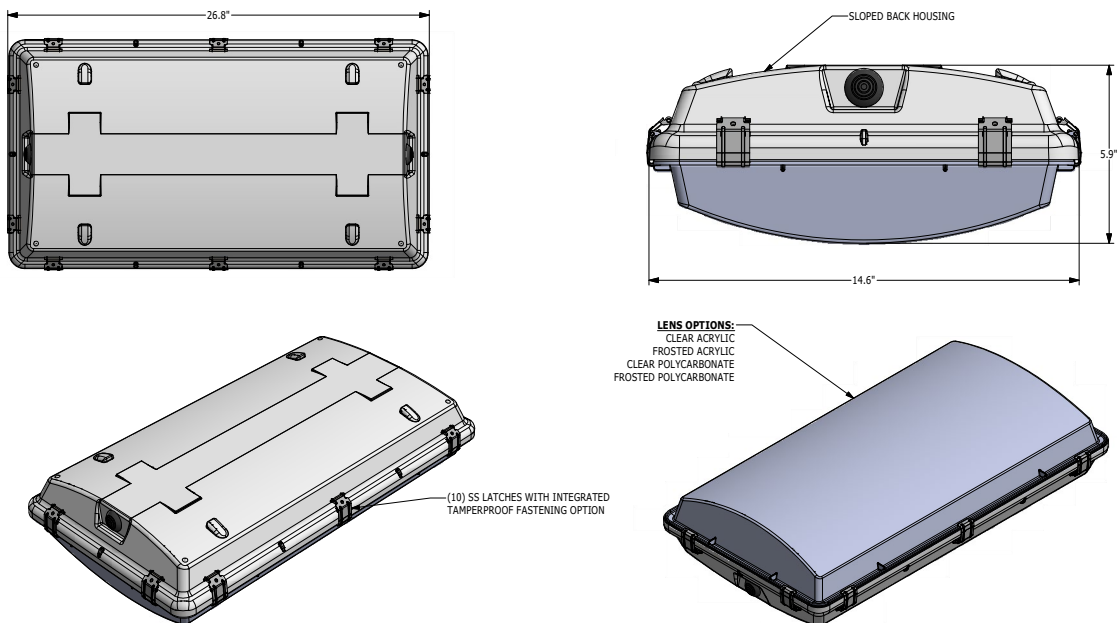
DRIVERS: Standard Universal Voltage Class 2 drivers are 0-10v Dimmable to 1% for most LED configurations. They come with at least 2.5Kv surge protection, have less than 10% THD at max load, Ballast Factor Greater than .95 and are programmable to match specific lumen or wattage requirements. Drivers with higher input voltage ratings are available, consult factory for driver specifications.

INSTALLATION: Suitable for surface or suspending installation onto or under covered ceilings. Two sealed 1/2 inch trade size conduit entry points located at each end. See options for pre-wired whips or cords.

LISTINGS: NSF2 Listed for Non-Food, Splash, and Food Zone Non-Contact. IP69 rated for dust and water ingress. Optionally rated to IP67. Suitable for 1500 PSI high pressure hosedowns. UL listed per UL_1598 for wet locations. Nema 4x rated. Drivers and LEDs are covered by a 5 year warranty, the remaining fixture is covered by a 10 year warranty. This product is Buy American Act (B.A.A.) compliant.

PRODUCT DRAWINGS

SEG 1520 REFERENCE DIMENSIONS



11-BA-L-SEG 1520 DWG DATE: 4/12/2017

Food Processing Vaportight: FP-SEG-1520-LED

Food Processing 15" x 2' Linear Vaportight LED Luminaire for Surface or Pendant Mounting

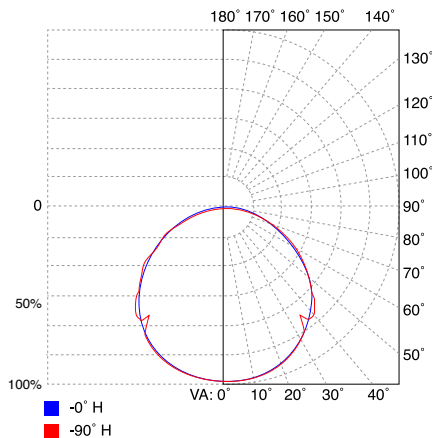
ENERGY DATA

STD SEG 1520 (APPROX ¹ DELIVERED LUMENS)											
ENCLOSURE SIZE	LED PACKAGE	CRI	DIMMING SELECTION	CLEAR LENS			FROST LENS			AMBIENT TEMP	
				LUMENS ²	WATTS ²	EFFICACY ³ (lm/W)	LUMENS ²	WATTS ²	EFFICACY ³ (lm/W)	MINIMUM	MAXIMUM ⁴
1520	2 LO	83	0-10V 1%	3,870	29	133	3,670	29	127	-20°C (-4°F)	40°C (104°F)
1520	2 LO	83	0-10V 5%	3,870	29	133	3,670	29	127	-20°C (-4°F)	40°C (104°F)
1520	2 LO	90+	0-10V 1%	3,730	29	129	3,530	29	122	-20°C (-4°F)	40°C (104°F)
1520	2 LO	90+	0-10V 5%	3,730	29	129	3,530	29	122	-20°C (-4°F)	40°C (104°F)
1520	3 LO	83	0-10V 1%	5,800	42	139	5,510	42	132	-20°C (-4°F)	40°C (104°F)
1520	3 LO	83	0-10V 5%	5,800	42	139	5,510	42	132	-20°C (-4°F)	40°C (104°F)
1520	3 LO	90+	0-10V 1%	5,590	42	133	5,300	42	126	-20°C (-4°F)	40°C (104°F)
1520	3 LO	90+	0-10V 5%	5,590	42	133	5,300	42	126	-20°C (-4°F)	40°C (104°F)
1520	4 LO	83	0-10V 1%	7,740	55	141	7,340	55	133	-20°C (-4°F)	40°C (104°F)
1520	4 LO	83	0-10V 5%	7,740	55	141	7,340	55	133	-20°C (-4°F)	40°C (104°F)
1520	4 LO	90+	0-10V 1%	7,460	55	136	7,060	55	128	-20°C (-4°F)	40°C (104°F)
1520	4 LO	90+	0-10V 5%	7,460	55	136	7,060	55	128	-20°C (-4°F)	40°C (104°F)
1520	6 LO	83	0-10V 1%	11,628	83	139	11,036	83	132	-20°C (-4°F)	40°C (104°F)
1520	6 LO	83	0-10V 5%	11,628	83	139	11,036	83	132	-20°C (-4°F)	40°C (104°F)
1520	6 LO	90+	0-10V 1%	11,198	84	133	10,604	84	127	-20°C (-4°F)	40°C (104°F)
1520	6 LO	90+	0-10V 5%	11,198	84	133	10,604	84	127	-20°C (-4°F)	40°C (104°F)
1520	2 HI	83	0-10V 1%	10,718	77	139	10,183	77	132	-20°C (-4°F)	35°C (95°F)
1520	2 HI	83	0-10V 5%	10,718	77	139	10,183	77	132	-40°C (-40°F)	45°C (113°F)
1520	2 HI	90+	0-10V 1%	8,510	78	109	8,084	78	104	-20°C (-4°F)	35°C (95°F)
1520	2 HI	90+	0-10V 5%	8,510	78	109	8,084	78	104	-40°C (-40°F)	40°C (104°F)
1520	4 HI	83	0-10V 1%	21,437	153	140	20,365	153	133	-20°C (-4°F)	35°C (95°F)
1520	4 HI	83	0-10V 5%	21,437	153	140	20,365	153	133	-40°C (-40°F)	40°C (104°F)
1520	4 HI	90+	0-10V 1%	17,020	155	110	16,169	155	104	-20°C (-4°F)	35°C (95°F)
1520	4 HI	90+	0-10V 5%	17,020	155	110	16,169	155	104	-40°C (-40°F)	35°C (95°F)
1520	EM10 ⁵	NA	NA	1090-1400	4	NA	1040-1330	4	NA	0°C (32°F)	35°C (95°F)

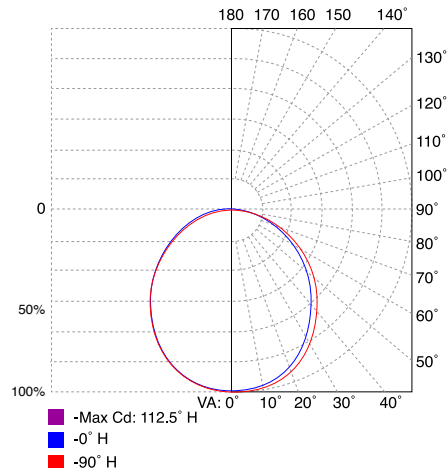
¹ DELIVERED LUMEN DATA IS EXTRAPOLATED FROM MEASURED DATA @ 25°C WITH NO EXTRA OPTIONS. VARIANCES WILL OCCUR WHEN OPTIONS ARE CHOSEN
² WATTAGE IS MEASURED WITH 4000K SELECTION @ 120VAC AND Tambient = 25°C. WATTAGES MAY VARY WITH ALTERNATE CONFIGURATIONS
³ EFFICACY CALCULATED USING 4000K CCT DATA.
⁴ TEMP RATING MAY VARY WITH SPECIFIED DRIVERS OR ANY NON STANDARD SELECTION
⁵ 90 MINUTE 10W EMERGENCY DRIVER; LUMENS CALCULATED BASED ON FIXTURE EFFICACY. (EX: 10W x 100Lm/W = 1000Lm Delivered)

PHOTOMETRICS

CP Optics



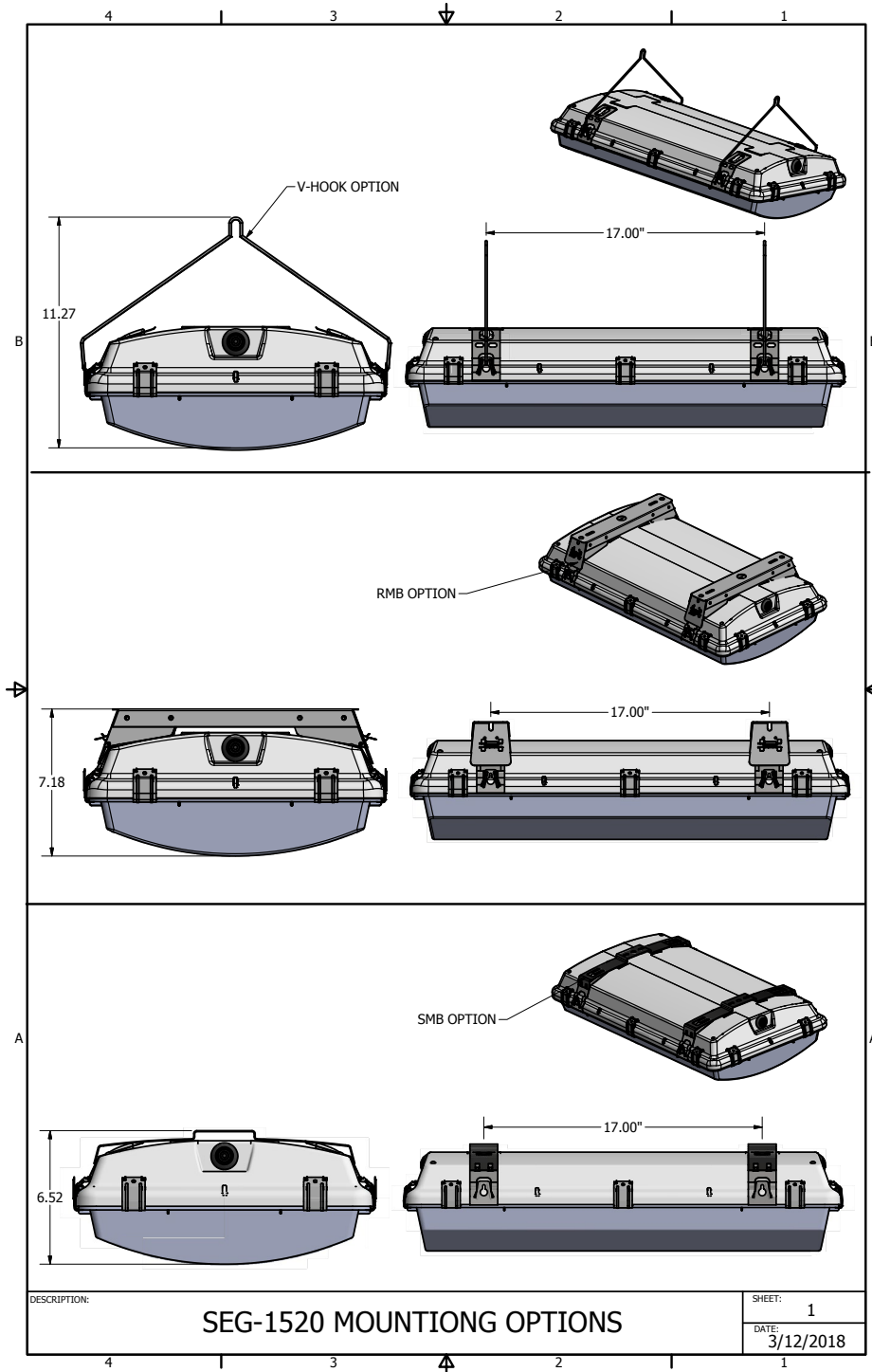
FP Optics



Food Processing Vaportight: FP-SEG-1520-LED

Food Processing 15" x 2' Linear Vaportight LED Luminaire for Surface or Pendant Mounting

MOUNTING OPTIONS



Food Processing Vaportight: FP-SEG-1520-LED

Food Processing 15" x 2' Linear Vaportight LED Luminaire for Surface or Pendant Mounting

MOUNTING OPTIONS

