

Vandal Underpass: VL-ST-LED

Vandal Resistant High Abuse 2' Surface Mount LED Luminaire

- Suitable for Use in Underpasses and Other Public Spaces
- Supplied with adjustable mounting bracket.
- .125" Prismatic Polycarb Lens standard.
- Provided with Tamper resistant hardware Standard.
- Robotically Seam Welded 16Ga Stainless Steel housing.
- Wet location for covered ceilings
- IP66 Rated
- B.A.A. Compliant & Made in the USA by a Family Owned US Corporation



DISCLAIMER: Although KURTZON has prepared the information contained in this document with all due care, KURTZON does not warrant or represent that the information is free from errors or omission. While the information is considered to be true and correct at the date of publication, changes in circumstances after the time of publication may impact on the accuracy of the information. The information may change without notice and KURTZON is not in any way liable for the accuracy of any information printed and stored or in any way interpreted or used.

Series	Material	Size	Row Qty.	LED Type	CCT/CRI	Voltage	Optics	Options	
VL-ST	3	20	2						
Series	Material	Size	Light Source		Voltage	Optics	Options		
			Row Qty.	LED Type	CCT/CRI				
VL-ST	Mill Finish 304 SS Hsg. & Mill Finish 304 SS Door	20 2" Housing	2	LEDR	83 CRI:	120V	P12ACR 0.135" P12 Prismatic Impact Resistant Acrylic (Inverted)	SW Wet Location Hub Supplied (not installed)	
					LEDH	835 3500K	277V	LEX 0.125" P12 Prismatic Polycarbonate (Inverted)	PxL * Programmed to User Specified Lumen Value.
						840 4000K	UNV	A19 0.156" A19 Prismatic Impact Resistant Acrylic (Inverted)	PxW * Programmed to User Specified Wattage Value.
						850 5000K	347V*	TG 0.156" Prismatic Tempered Glass (Inverted)	10KV 10KV Parallel Surge Protection (One Supplied Per Circuit)
								HIA 0.140" P12 Prismatic High Impact Resistant Acrylic (Inverted)	WHIP Must Specify Length and Wire Qty
								FROST 0.125" Flat Diffusing Frost Acrylic	FC Fuse & Holder (One Supplied Per Circuit)
								2DBW 0.125" Flat Diffused Acrylic with Bi-Directional Batwing DISTRIBUTION	EM10 10W Integral LED EM (Specify Input Voltage)
								LBW 0.125" Flat Diffused Acrylic with Linear Batwing Distribution	EDL -40F Electronic Driver
								GH85 0.125" Flat Diffused Acrylic with Glare Suppression Distribution	WHT White Finished Door & HSG
									AMW Anti-Microbial White Powdercoat
					2/ED Two Drivers/Two Circuits				

*347V Available with 10% dimming, not all options are compatible with 347V

Note: LEX option is standard and will be provided with no other option is selected.

Note*: Specify Value in Ordering Notes

Ordering Notes, If Applicable

Vandal Underpass: VL-ST-LED

Vandal Resistant High Abuse 2' Surface Mount LED Luminaire

SPECIFICATIONS

HOUSING: 16-gauge type 304 stainless steel construction. Fully seam welded and passivated. 2B finish.

DOOR FRAME: Precision formed 18-gauge type 304 stainless steel overlapping frame hinged by cables and secured to housing with Torx head stainless steel countersunk tamper-resistant fasteners.

GASKETS: Closed cell 100% pure neoprene gasket with vulcanized corners making a one-piece oil and solvent resistant gasket system.

OPTICS: Standard LEX prismatic polycarbonate lens is provided when no other options are selected. All prismatic lensing options come with an inverted lens so the smooth side faces the environment for easy cleaning. All optics are sealed to the door with NSF listed RTV silicone sealant. Other optics are available, consult factory for more information or options not listed.

LEDS: Commercially available in a wide variety of Color Temperature (CCT), FLUX, and CRI. Highly efficient and consistent color maintained to 3 SDMC for color critical applications. B50/L70 and compliant with Zhaga recognized hole patterns. Consult factory for LED options or configurations not listed below.

DRIVERS: Standard Universal Voltage Class 2 drivers are 0-10v Dimmable to 1% for most LED configurations. They come with at least 2.5Kv surge protection, have less than 10% THD at max load, Ballast Factor Greater than .95 and are programmable to match specific lumen or wattage requirements. Drivers with higher input voltage ratings are available, consult factory for driver specifications.

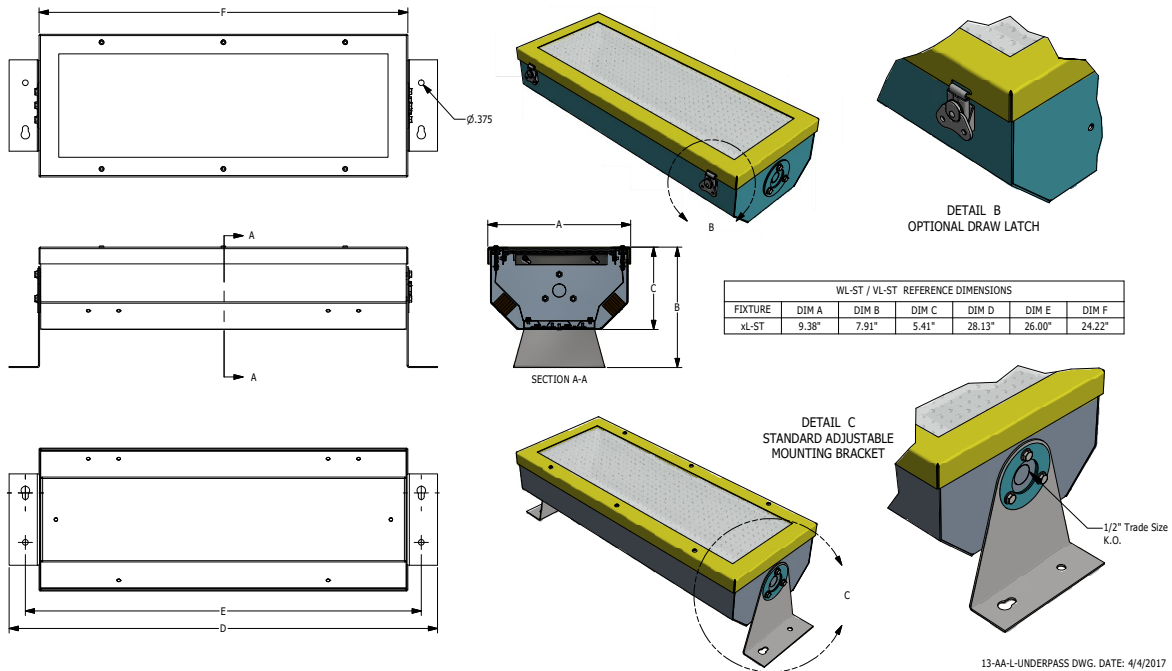
REFLECTOR: Die formed powder-coated aluminum in high reflectance white.

INSTALLATION: Suitable for any orientation. Two adjustable mounting brackets made of formed 12 ga 304 stainless steel. Two .875" (1/2" trade-size) flattened knockout located on endplate of housing for wiring. Suitable for surface mounting under covered ceilings.

FINISH: 2B finish on all surfaces unless WHT or AMW options are selected. powdercoat is a high reflectance white polyester powder coat with 1000hr salt spray test per ASTM B117. AMW option provides a white anti-microbial polyester powder coat to all exposed surfaces.

LISTINGS: IP66 rated for dust and water ingress. Suitable for 1700 PSI high pressure hosedowns. ETL listed per UL_1598 for wet locations. Drivers and LEDs

PRODUCT DRAWINGS



Vandal Underpass: VL-ST-LED

Vandal Resistant High Abuse 2' Surface Mount LED Luminaire

ENERGY DATA

UNDERPASS SURFACE LUMINAIRE (APPROXIMATE ¹ DELIVERED LUMENS)							
ENCLOSURE SIZE	LIGHT PACKAGE	CRI	LUMENS ¹	WATTS ²	EFFICACY ³	AMBIENT TEMP RATINGS	
						MINIMUM START	MAXIMUM
20	2LEDR	83	2,300	36	64	-20°C (-4°F)	40°C (104°F)
20	2LEDH	83	4,142	77	54	-20°C (-4°F)	40°C (104°F)
20	2LEDR	90	2,000	36	56	-20°C (-4°F)	40°C (104°F)
20	2LEDH	90	4,100	86	48	-20°C (-4°F)	40°C (104°F)

¹ DELIVERED LUMEN DATA IS EXTRAPOLATED FROM MEASURED DATA @25C WITH NO EXTRA OPTIONS.

² WATTAGE IS MEASURED WITH 4000K SELECTION @ 120vAC AND Tambient = 25C. WATTAGES MAY VARY WITH ALTERNATE SELECTIONS

³ EFFICACY CALCULATED USING 4000K CCT DATA.

⁴ TEMP RATINGS MAY VARY WITH ALTERNATE SPECIFIED DRIVERS OR ANY NON STANDARD SELECTION

PHOTOMETRICS

LEX OPTIC

Key:
 - - - - - 0
 · · · · · 45
 ———— 90

