

Vandal Location Vaportight

Vandal Location 15" x 2' Linear Vaportight LED Luminaire for Surface or Pendant Mounting

- High Lumen Packages, up to 20,200Lm Delivered
- Ambient operating temps as Low as -40C(-40F) and as High as +45C(+113F) (Temps Vary by Configuration. Verify in Energy Data Section)
- IP65 / IP66 / IP69 / (Optional IP67)
- 1500 PSI hosedown
- UL 1598 Wet Location
- Marine grade 316 stainless steel latches & Mounting brackets
- Nema4X
- UL 5VA Rated (will not melt or burn)
- Polycarbonate Lens: Clear / Frosted
- 10 Year warranty
- Made in USA



DISCLAIMER: Although KURTZON has prepared the information contained in this document with all due care, KURTZON does not warrant or represent that the information is free from errors or omission. Whilst the information is considered to be true and correct at the date of publication, changes in circumstances after the time of publication may impact on the accuracy of the information. The information may change without notice and KURTZON is not in any way liable for the accuracy of any information printed and stored or in any way interpreted or used.

ORDERING GUIDE

Series	Lumen Package	CCT	Lens	Voltage	Controls	Mounting	Sensors	Options
WL-SEG-1520						TPL		
1-SERIES	2 - LUMEN PACKAGE	3 - CCT	4 - LENS	5 - VOLTAGE		7 - MOUNTING	8 - SENSORS (Not Required)	
WL-SEG-1520	2LO: 2 Rows of Low Flux LED's 3LO: 3 Rows of Low Flux LED's 4LO: 4 Rows of Low Flux LED's 6LO: 6 Rows of Low Flux LED's 2HI: 2 Rows of High Flux LED's 4HI: 4 Rows of High Flux LED's	83 CRI: 830 = 3000K CCT 835 = 3500K CCT 840 = 4000K CCT 850 = 5000K CCT 90+ CRI: 935 = 3500K CCT 940 = 4000K CCT <i>Not available in "HI" lumen package</i>	CP: Clear Polycarbonate FP: Frosted Polycarbonate UNV: (120-277 Vac) HV: (347-480 Vac)	DIM1: 0-10V 1% DIM5: 0-10V 5% DALI: DALI 1% 2/ED: 2 Circuits LUTRON: (Specify Type) OTHER: (Must Specify)		V-Hook: Mounting Hooks RMB: Rigid Mtg Beam SMB: Surface Mtg Bracket FMB: Flex Mtg Bracket SCM: Single Conduit Stem TPL: Tamperproof Latches** ** must select	OCC MW: Microwave Occ Sensor (Internal 32' MAX) OCC HB: Highbay Occ Sensor (End Mount 20'-40') OCC LB: Lowbay Occ Sensor (End Mount 8'-10') DL/OCC HB: Daylight & Highbay Occ Sensor (End Mount 40' MAX) DL/OCC LB: Daylight & Lowbay Occ Sensor (End Mount 8' MAX) OTHERS: Must Specify	9 - OPTIONS (Not Required) PXW: Program to Specified Wattage (Replace X with Watts) PXL: Program to Specified Lumens (Replace X with Lumens) 10kV: 10kV Surge Protection (one per specified circuit) 3WC: 3 Wire Cord With Plug (Must Provide Specs) WHIP: Flex Whip Installed (Must Provide Specs) EM10: 10W Integral Emergency Driver (Specify Voltage & Switching) FF: Fuse & Fuse Holder (One per Specified Circuit) IP67: Optional IP67 Rating

Vandal Location Vaportight

Vandal Location 15" x 2' Linear Vaportight LED Luminaire for Surface or Pendant Mounting

SPECIFICATIONS

HOUSING: Injection molded, .125" thick Hole Free White Fiberglass body with sloped top Surface to prevent water accumulation. 5VA Flame Rating

LENS: Injection molded Heavy gauge Clear or Frosted Polycarbonate. Secured by Captive Stainless Steel cables.

REFLECTOR: Standard (92%) High Reflectance white 22 gauge metal. Formed wiring cover for rigidity. Removable without tools or screws.

GASKETS: One piece urethane extruded foam with smooth surface.

LATCHES: Ten (10) 316 Stainless Steel over-center latches secure lens to housing. Latches are secured closed with #6 Tamperproof screws. Provided separate.

MOUNTING: Provided with (4) mounting brackets for suspending (cables by others). See mounting options for other configurations.

LEDS: Commercially available in a wide variety of Color Temperature (CCT), FLUX, and CRI. Highly efficient and consistent color maintained to 3 SDMC for color critical applications. B50/L70 and compliant with Zhaga recognized hole patterns. Consult factory for LED options or configurations not listed below.

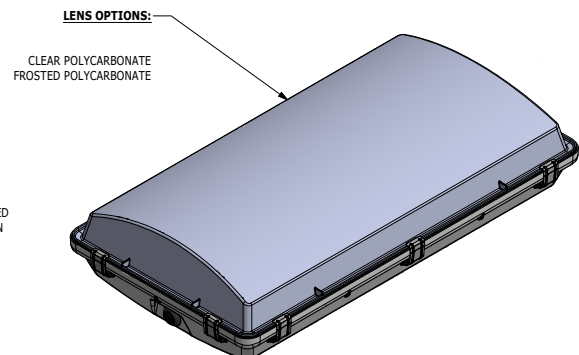
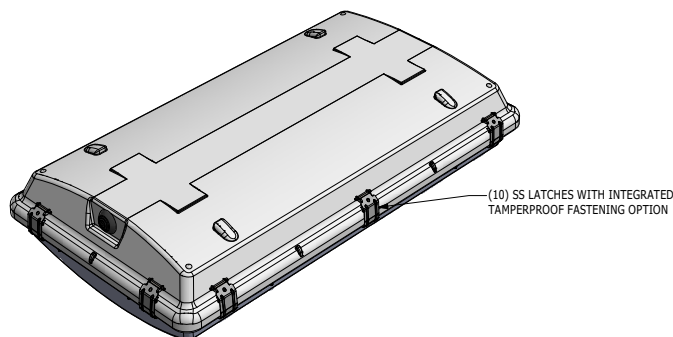
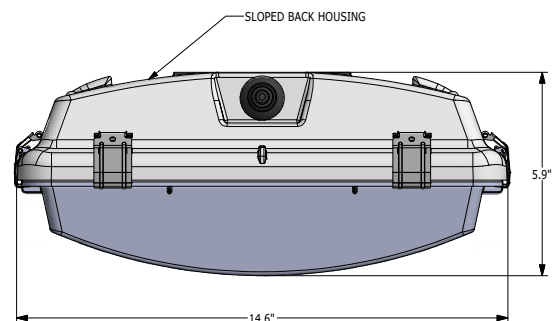
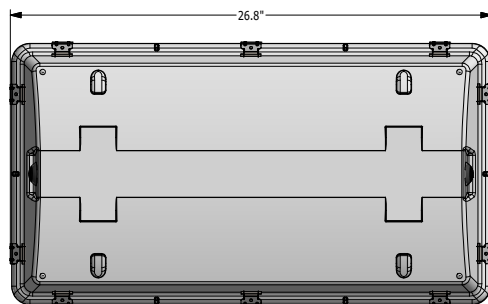
DRIVERS: Standard Universal Voltage Class 2 drivers are 0-10v Dimmable to 1% for most LED configurations. They come with at least 2.5Kv surge protection, have less than 10% THD at max load, Ballast Factor Greater than .95 and are programmable to match specific lumen or wattage requirements. Drivers with higher input voltage ratings are available, consult factory for driver specifications.

INSTALLATION: Two sealed 1/2 inch trade size conduit entry points located at each end. See options for pre-wired whips or cords.

LISTINGS: IP69 rated for dust and water ingress. Optionally rated to IP67. Suitable for 1500 PSI high pressure hosedowns. UL listed per UL_1598 for wet locations. Nema 4x rated. Drivers and LEDs are covered by a 5 year warranty, the remaining fixture is covered by a 10 year warranty.

PRODUCT DRAWINGS

SEG 1520 REFERENCE DIMENSIONS



11-BA-L-SEG 1520 DWG DATE: 4/12/2017

Vandal Location Vaportight

Vandal Location 15" x 2' Linear Vaportight LED Luminaire for Surface or Pendant Mounting

ENERGY DATA

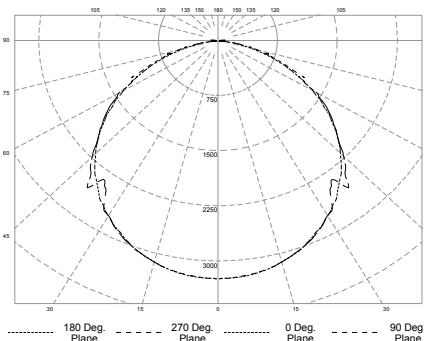
STD SEG 1520 (APPROX ¹ DELIVERED LUMENS)											
ENCLOSURE SIZE	LED PACKAGE	CRI	DIMMING SELECTION	CLEAR LENS			FROST LENS			AMBIENT TEMP	
				LUMENS ¹	WATTS ²	EFFICACY ³ (Lm/W)	LUMENS ¹	WATTS ²	EFFICACY ³ (Lm/W)	MINIMUM	MAXIMUM ⁴
1520	2 LO	83	0-10V 1%	3,560	28	127	3,097	28	111	-20°C (-4°F)	40°C (104°F)
1520	2 LO	83	0-10V 5%	3,560	28	127	3,097	28	111	-20°C (-4°F)	40°C (104°F)
1520	2 LO	90+	0-10V 1%	3,120	28	111	2,714	28	97	-20°C (-4°F)	40°C (104°F)
1520	2 LO	90+	0-10V 5%	3,120	28	111	2,714	28	97	-20°C (-4°F)	40°C (104°F)
1520	3 LO	83	0-10V 1%	5,340	40	134	4,646	40	116	-20°C (-4°F)	40°C (104°F)
1520	3 LO	83	0-10V 5%	5,340	40	134	4,646	40	116	-20°C (-4°F)	40°C (104°F)
1520	3 LO	90+	0-10V 1%	4,680	40	117	4,072	40	102	-20°C (-4°F)	40°C (104°F)
1520	3 LO	90+	0-10V 5%	4,680	40	117	4,072	40	102	-20°C (-4°F)	40°C (104°F)
1520	4 LO	83	0-10V 1%	7,120	54	132	6,194	54	115	-20°C (-4°F)	40°C (104°F)
1520	4 LO	83	0-10V 5%	7,120	54	132	6,194	54	115	-20°C (-4°F)	40°C (104°F)
1520	4 LO	90+	0-10V 1%	6,240	54	116	5,429	54	101	-20°C (-4°F)	40°C (104°F)
1520	4 LO	90+	0-10V 5%	6,240	54	116	5,429	54	101	-20°C (-4°F)	40°C (104°F)
1520	6 LO	83	0-10V 1%	11,410	82	139	9,927	82	121	-20°C (-4°F)	40°C (104°F)
1520	6 LO	83	0-10V 5%	11,410	82	139	9,927	82	121	-20°C (-4°F)	40°C (104°F)
1520	6 LO	90+	0-10V 1%	9,367	82	114	8,149	82	99	-20°C (-4°F)	40°C (104°F)
1520	6 LO	90+	0-10V 5%	9,367	82	114	8,149	82	99	-20°C (-4°F)	40°C (104°F)
1520	2 HI	83	0-10V 1%	9,150	70	131	7,961	70	114	-20°C (-4°F)	35°C (95°F)
1520	2 HI	83	0-10V 5%	10,000	78	128	8,700	78	112	-40°C (-40°F)	45°C (113°F)
1520	4 HI	83	0-10V 1%	18,500	135	137	16,095	135	119	-20°C (-4°F)	35°C (95°F)
1520	4 HI	83	0-10V 5%	20,230	151	134	17,600	151	117	-40°C (-40°F)	40°C (104°F)
1520	EM10 ⁵	NA	NA	1100-1390	4	NA	970-1210	4	NA	0°C (32°F)	35°C (95°F)

¹ DELIVERED LUMEN DATA IS EXTRAPOLATED FROM MEASURED DATA @25C WITH NO EXTRA OPTIONS. VARIANCES WILL OCCUR WHEN OPTIONS ARE CHOSEN
² WATTAGE IS MEASURED WITH 4000K SELECTION @ 120VAC AND Tambient = 25C. WATTAGES MAY VARY WITH ALTERNATE CONFIGURATIONS
³ EFFICACY CALCULATED USING 4000K CCT DATA.
⁴ TEMP RATING MAY VARY WITH SPECIFIED DRIVERS OR ANY NON STANDARD SELECTION
⁵ 90 MINUTE 10W EMERGENCY DRIVER; LUMENS CALCULATED BASED ON FIXTURE EFFICACY. (EX: 10W x 100Lm/W = 1000Lm Delivered)

PHOTOMETRICS

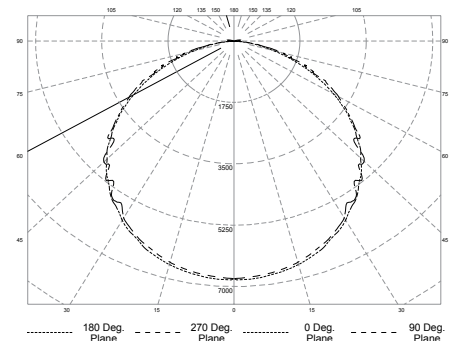
WL-SEG-1520-6LO940-CP-UNV-DIM1

Report No: 11624894.14
 Total Lumens: 9,367
 Wattage: 82.33
 Efficacy: 113.8 (Lumens Per Watt)
 Fixture Size: 15"x2'



WL-SEG-1520-4HI840-CP-UNV-DIM5

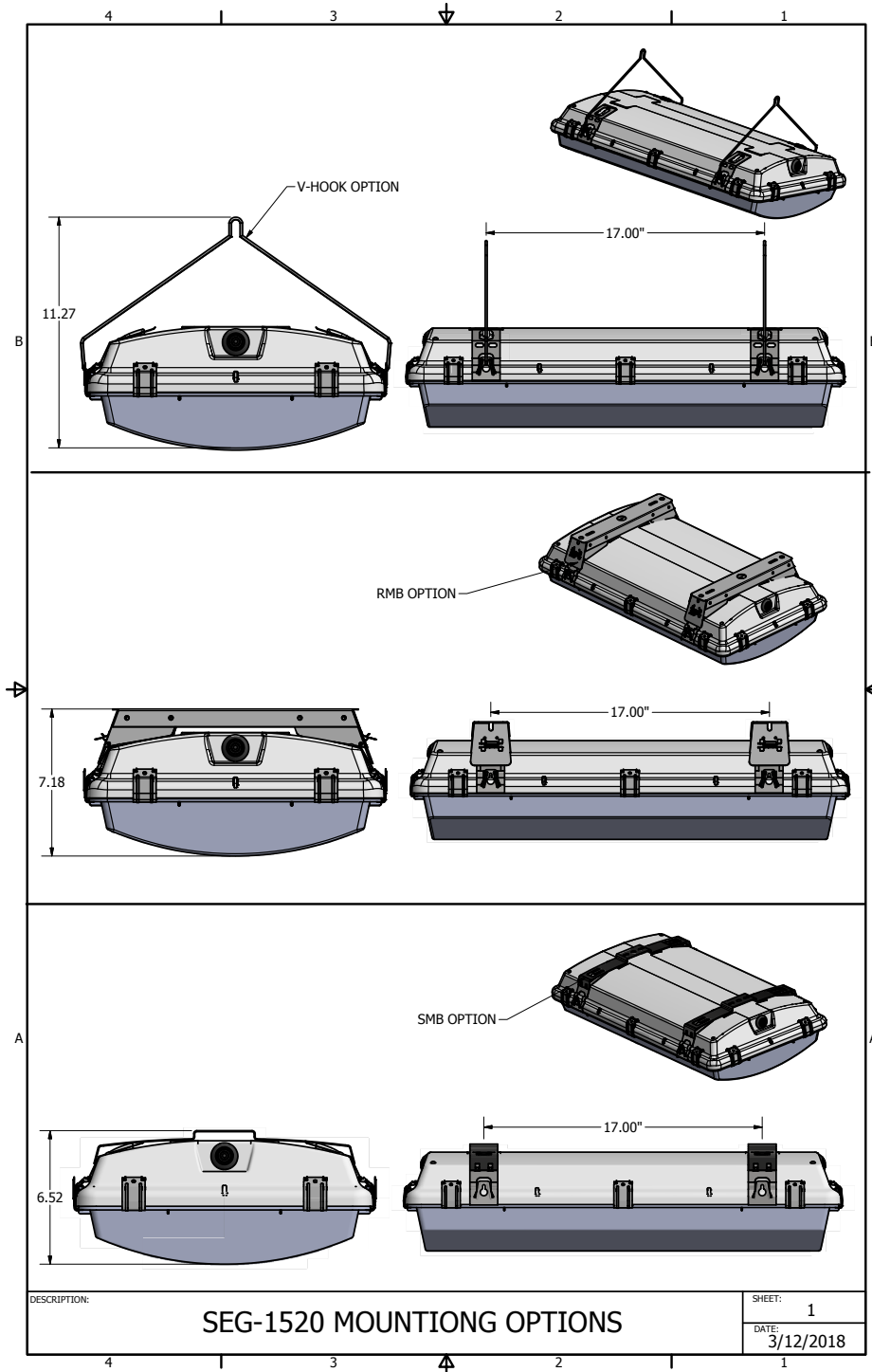
Report No: 11624894.13
 Total Lumens: 20,230
 Wattage: 150.9
 Efficacy: 134.1 (Lumens Per Watt)
 Fixture Size: 15"x2'



Vandal Location Vaportight

Vandal Location 15" x 2' Linear Vaportight LED Luminaire for Surface or Pendant Mounting

MOUNTING OPTIONS



Vandal Location Vaportight

Vandal Location 15" x 2' Linear Vaportight LED Luminaire for Surface or Pendant Mounting

MOUNTING OPTIONS

