

Hazardous X12 TL Troffers

1x4, 2x2 and 2x4 Fluorescent Luminaires

- **Suitable For Use In Class 1, 2, & 3 Division 2 Groups A, B, C, D, E, F & G**
- **IP65 Rating**
- **One piece inset door**
- **UL Listed for wet locations**
- **Recessed Housing suitable for Tbar Grid and Hardlid Installations**
- **Made in the USA by a Family Owned US Corporation**



DISCLAIMER: Although KURTZON has prepared the information contained in this document with all due care, KURTZON does not warrant or represent that the information is free from errors or omission. Whilst the information is considered to be true and correct at the date of publication, changes in circumstances after the time of publication may impact on the accuracy of the information. The information may change without notice and KURTZON is not in any way liable for the accuracy of any information printed and stored or in any way interpreted or used.

ORDERING GUIDE

Series	Installation Type	Material	Size	Lamps	Voltage	Options
TLX12						
TL	R: Recessed (suitable for flange and grid)	3: White 430 SS Hsg. & Polished 304 SS Door	1x4: 1' x 4' Housing	2/T5: F28T5	120V 277V UNV 347V*	H/FC: Fuse & Holder (One Supplied Per Circuit)
		4: White AL Hsg. & Polished 304 SS Door		2/T5HO: F54FTHO		2/EB: Two Ballasts (Two Circuits)
		5: White AL Hsg. & White AL Door	2x2: 2' x 2' Housing OR 2x4: 2' x 4' Housing	2,3,4 or 6/T5: F14T5		EBL: -20F Electronic Ballast
	7: White AL Hsg. & White CRS Door	2,3,4 or 6/T5HO: F24T5HO		WHT: White Finished Door & HSG		
	S: Surface	1: White CRS Hsg. & White CRS Door	1x4: 1' x 4' Housing	1 or 2/T5: F28T5		LEX: .125" Prismatic Polycarbonate
		2: White CRS Hsg. & Polished 304 SS Door		1 or 2/T5HO: F54FTHO		A19: .156" Prismatic P19 Pattern Clear Acrylic
3: Polished 304 SS Hsg. & Polished 304 SS Door		2x2: 2' x 2' Housing OR 2x4: 2' x 4' Housing	2,3,4 or 6/T5: F14T5	HIA: .140" High Impact P12 Pattern Clear Acrylic		
4: White AL Hsg. & Polished 304 SS Door			2,3,4 or 6/T5HO: F24T5HO	TG: .156" Prismatic C73 Tempered Glass		
5: White AL Hsg. & White AL Door			SW: Wet Location Hub Supplied (not installed)			
6: White CRS Hsg. & White AL Door			H1/EM: 1 Lamp EM (See Chart For Lamp Compatibility)			
7: White AL Hsg. & White CRS Door			10KV: 10KV Parallel Surge Protection (One Supplied Per Circuit)			
				GTD: Generator Transfer Device		
				WHIP: Must Specify Length and Wire Qty		

Hazardous X12 TL Troffers

1x4, 2x2 and 2x4 Fluorescent Luminaires

SPECIFICATIONS

HOUSING: One piece, hole free, robotically seam welded housing has flattened, silicone sealed knockouts for a superior seal. Recessed housings are available in .040" 3003 Aluminum or 20Ga 430 Stainless Steel. Surface housings are available in .040" 3003 Aluminum, 20Ga 304 Stainless Steel, or 20Ga 1008 Cold Rolled Steel.

DOOR FRAME: One piece inset door frame with seam welds regressing into housing to allowing the NSF approved microcellular gasket to seal to the housing. Door frame is hinged by aircraft cables and secures to housing with captive stainless steel pan head screws. Available in .040" 3003 Powder coated Alum. , 20Ga 304 Polished SS, or 18Ga 1008 Powder coated CRS.

GASKETS: NSF Listed closed cell microcellular extruded KleanLock SealPro gasket with vulcanized corners making a one-piece oil and solvent resistant gasket system.

LENS: Impact Resistant .135" thick virgin acrylic with P12 prismatic pattern inverted. Sealed to door with NSF listed RTV silicone. See "Options" for other choices.

LAMPS: Suitable for most T5 and T5HO lamps. (By others)

ELECTRICAL: Standard Class P Ballast - Electronic < 10% THD, high performance rapid start universal voltage (120-277). See options for Dimming or Cold Temp Ballasts, Others available (must specify). Dual level switching available with 2/EB option

REFLECTOR: Die formed metal with high reflectance white polyester powder coat finish. Typical reflectivity 92%.

INSTALL RECESSED: One fixture suitable for Grid and Flanged installation. Accommodates 1" and 1.5" T-Bar Grid (Consult factory for 2" T-Bar Grid compatibility). Four adjustable toggle arms with holes for seismic support wire attachment. Supply entry via 1/2" trade size flattened knockouts.

INSTALL SURFACE: Four .312" dia. mounting holes and a removable gasketed wiring access plate with Supply entry via 1/2" trade size flattened and silicone sealed knockouts.

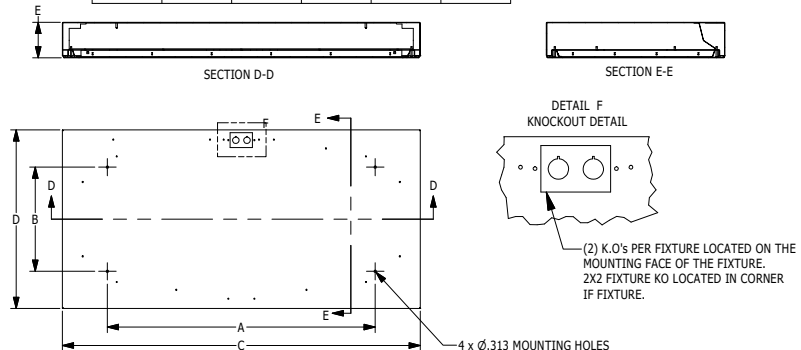
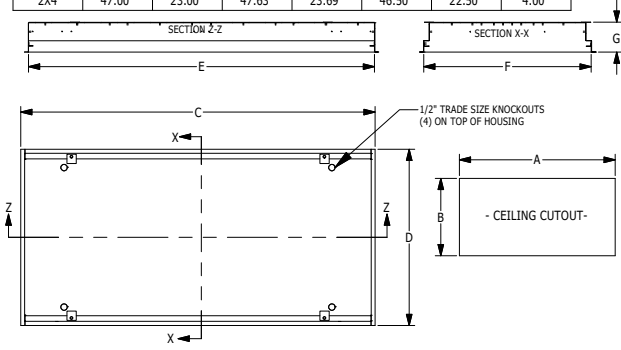
FINISH: Gloss white high reflectance 1000 hr. salt spray polyester powder coat finish standard for all recessed housings. Stainless steel doorframes and surface housings are satin polished unless option WHT is chosen.

LISTINGS: Listed for Class I Division II Groups A,B,C & D hazardous locations. IP65 rated for dust and water ingress. Suitable for 1700 PSI high pressure hosedowns. UL listed per UL_1598 for wet locations. Chicago Plenum Rated. Certified ISO-14644-1 for class 3 through class 9 cleanspaces. Certified Fed Std 209E for Class 100 through Class 100,000 cleanspaces. NSF2 Listed for Non-Food Zones. Electrical components covered under manufacturers warranty, the remaining fixture is covered by a 10 year warranty.

PRODUCT DRAWINGS

"R" HOUSING REFERENCE DIMENSIONS							
SIZE	A	B	C	D	E	F	G
1X4	47.00"	11.00"	47.63"	11.69"	46.50"	10.50"	4.00"
2X2	23.00"	23.00"	23.63"	23.69"	22.50"	22.50"	4.00"
2X4	47.00"	23.00"	47.63"	23.69"	46.50"	22.50"	4.00"

"S" REFERENCE DIMENSIONS					
SIZE	DIM A	DIM B	DIM C	DIM D	DIM E
1X4	43.00"	4.75"	48.08"	12.00"	4.75"
2X2	12.00"	14.00"	24.08"	24.00"	4.75"
2X4	36.00"	14.00"	48.08"	24.00"	4.75"



Hazardous X12 TL Troffers

1x4, 2x2 and 2x4 Fluorescent Luminaires

ENERGY DATA

HAZ CLASS 1 DIVISION 2 ONE PIECE INSET-FGS-FLUOR TROFFER					
ENCLOSURE SIZE	LAMP TYPE	LAMP QTY ¹	(H1/EM) 1 LAMP EMERGENCY ²	HAZ TEMP CODE	MAX AMBIENT TEMP ³
1X4	F28WT5	1 OR 2	1050 Lm	T3A	25°C (77°F)
1X4	F54WT5HO	1 OR 2	1150 Lm	T3A	25°C (77°F)
2X2	F14WT5	2,3,4 OR 6	850 Lm	T3A	25°C (77°F)
2X2	F24WT5HO	2,3,4 OR 6	925 Lm	T3A	25°C (77°F)
2X4	F28WT5	2,3,4 OR 6	1050 Lm	T3A	25°C (77°F)
2X4	F54WT5HO	2,3,4 OR 6	1150 Lm	T3A	25°C (77°F)

- 1 LAMPS SUPPLIED BY OTHERS
- 2 TOTAL GENERATED LUMENS (FROM STD EM BALLAST SPECIFICATION SHEET) HIGHER LUMEN OPTIONS MAY BE AVAILABLE
- 3 TEMP RATING MAY VARY WITH ALTERNATE SPECIFIED BALLASTS OR ANY NON STANDARD SELECTION