

# LPL7-SQ QUADRANT

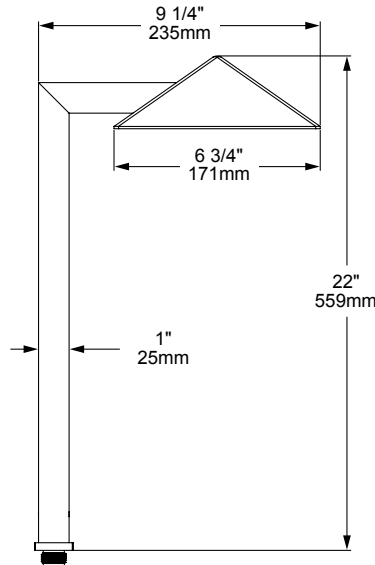
The LPL7-SQ is a classic design re-engineered and manufactured to a quality and performance standard never before available. Featuring a heavy duty architectural brass stem ingeniously coupled to the robust die-cast brass hood with no visible hardware. Available in two distributions and wattages.

**Features include:**

- 3 Watt Single LED or 7 Watt Triple LED
- Up to 260 lumens at 3000K
- Cree XP-L® High Density LED (CRI 80 typ.)
- 2700K (80 & 90 CRI) or 3000K (80 CRI), or Amber 585-595nm
- Thermally Integrated® and Field Serviceable LED Module
- 12V Integral Driver, Dimmable to <10% typ.
- Compatible w/ 12V AC/DC ELV or MLV Transformers
- Solid Copper and Brass Construction



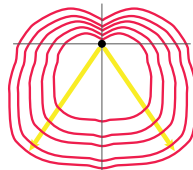
LPL7-SQ-BLP



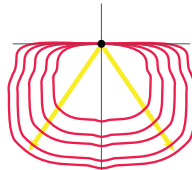
**LIGHT DISTRIBUTION CHOICES**



General Distribution  
3W



Forward Distribution  
7W



Forward Distribution w/ [BS]  
7W

**COPPER CORE TECHNOLOGY®**

Copper Core® is a registered trademark of Auroralight. It is synonymous with the mark of quality and integrity. It means that our products are built upon a superior foundation of Solid Copper, ensuring every critical part functions seamlessly together Thermally integrated® one component to the next. Auroralight manufactured without compromise, engineered with passion, in the USA.



12V



**SEE NEXT PAGE FOR ORDERING INFORMATION**





# LPL7-SQ QUADRANT

For smaller wattage and size options see **LPL5-SQR** and **LPL7-SQ**  
 For other wattage and size options see **HPL Series**

**ORDERING GUIDE:** <sup>Prefix</sup> **LPL7-SQ** L (LED) PL (PATH LIGHT) 6 (INCHES) SQ (SQUARE)

INDICATES REQUIRED FIELD     INDICATES OPTIONAL FIELD     INCLUDED    [ \_ ] QUICK SPEC (See Below)

**QUICK SPEC SKU** **LPL7-SQ-7-27-2GS-NAT**

<b>LPL7-SQ</b>					
<b>WATTAGE/DISTRIBUTION</b> ✓	<b>LED COLOR</b> ✓	<b>ACCESSORIES</b>	<b>MOUNT</b>	<b>FINISH</b>	
[3] 3W General Distribution [7] 7W Forward Distribution	[27] 2700K, 80CRI [279] 2700K, 90CRI [30] 3000K, 80CRI [AMB] Amber (585-595nm)	[BS] Backlight Shield	[1/2] 1/2" Male Thread [2GS] Ground Stake (Default) ✓ [3GS] Ground Stake w 3" Cap [325GS] Ground Stake w 3 1/4" Cap [TR-12] Trident Spike [JB3-S] 3" J-Box w/ Stake [PB-S] Power Box w/ Stake (Inc. 60W 120-12V trans.) [PM-60] 4" Pedestal Mount [SM3] 3 1/4" Surface Mount	Standard: [NAT] Natural ✓ Plus (\$): [BLP] Bronze Living Patina [BLP-XD] BLP Extra Dark Premium (\$\$\$): [NI] Nickel PVD [PVD] PVD Color (Contact Factory for Color Options)	
NOTE: For other CCT and CRI options, contact factory					

