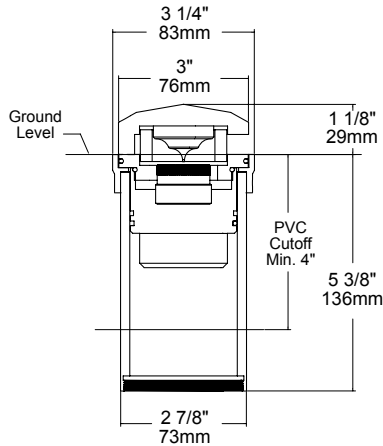


# LDM3 COMPASS



180-NAT



2 1/2" SCH.40 PVC Sleeve (Included)



Optional Conduit Hub

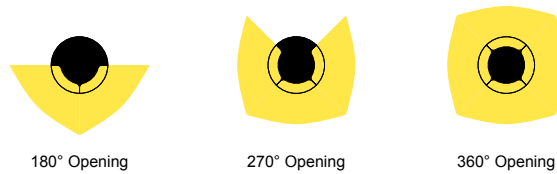
The **LDM3** is based on the award-winning Micro Well light design. This high performance LED luminaire is machined entirely from solid brass bar stock. Featuring durable silicone O-rings and grommets to ensure the fixture remains hermetically sealed under the most extreme conditions.

**Features include:**

- 3 Watts
- Cree XLAMP® (XR-E) LED
- 2700, 3000 or 4500K (CRI 80 typ.)
- 12 VAC Electronic or Magnetic Source Compatible
- Dimmable to <10% typ.
- Rated for Interior and Exterior Use
- Drive-over Rated up to 6,000 lbs.
- Solid Brass Construction



**BEAM PATTERNS**



180° Opening

270° Opening

360° Opening

**ORDERING GUIDE:** <sup>Prefix</sup> **LDM3** L (LED) DM (DIRECTIONAL MARKER) 3 (SERIES)

□ INDICATES REQUIRED FIELD    ▭ INDICATES OPTIONAL FIELD

BEAM PATTERN	LED COLOR	LENS	MOUNT	FINISH
[180] 180° Opening	[27] 2700K	[F] Frosted	[CHA] Conduit Hub, Aluminum	[NAT] Natural
[270] 270° Opening	[30] 3000K	[C] Clear	[CHB] Conduit Hub, Brass	[BLP] Bronze Living Patina
[360] 360° Opening	[45] 4500K			[BLP-XD] BLP Extra Dark
	[27D] 2700K			[NI] Nickel PVD
	[30D] 3000K			[PC] Powder Coat- Specify Color
	[45D] 4500K			

[D] =Dimmable



CHA

CHB

