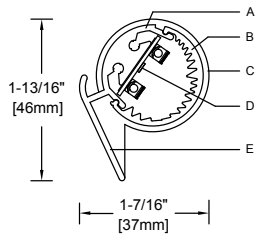
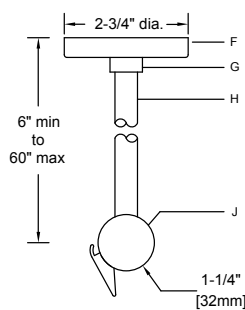


**Optical Assembly**

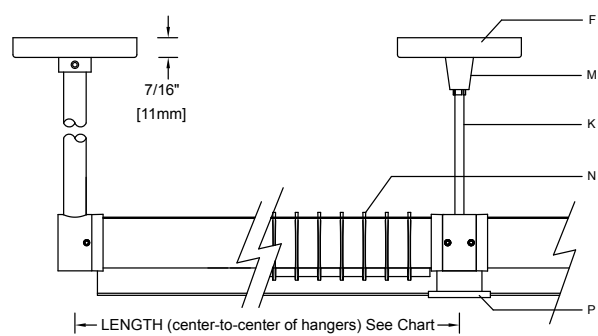
1:2 Scale



**Pendant** 1:4 Scale

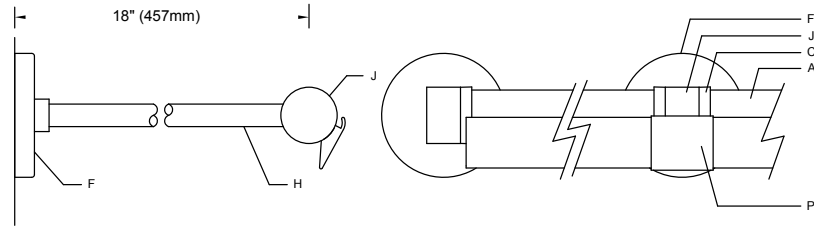


**Cord**

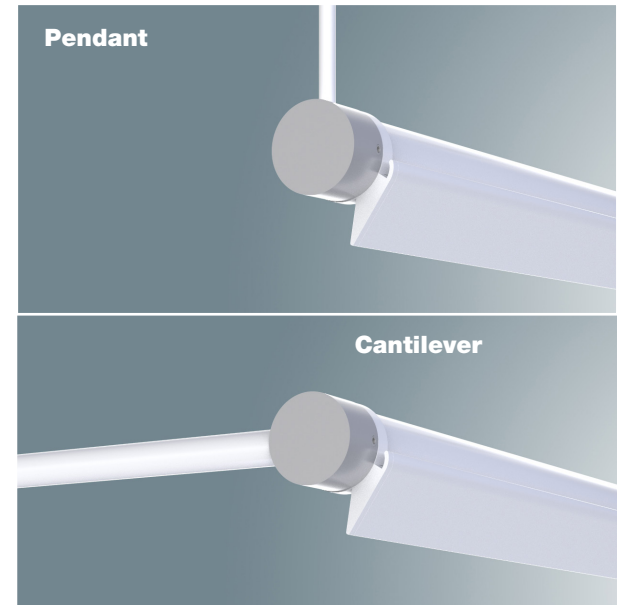


← LENGTH (center-to-center of hangers) See Chart →

**Cantilever** 1:4 Scale



LENGTH	CENTER-CENTER
2FT	24-3/4" (629mm)
3FT	36-1/2" (927mm)
4FT	48" (1219mm)
5FT	60" (1524mm)
6FT	72" (1829mm)



**Specifications**

- A** Extruded aluminum heat sink/housing
- B** Extruded semi-diffuse lens
- C** Die-cast aluminum end plate 1-1/8" dia.
- D** Linear LED PCB with mid-power LEDs
- E** Integral visor (extruded aluminum)
- F** Aluminum canopy (3" dia. x 7/16" D)
- G** Slip ring with set screw
- H** Extruded aluminum pendant stem 1/2" O.D.
- J** Aluminum mounting hub (ordered separately)
- K** Cord, 96" long
- M** Cord grip (white, black or gray)
- N** Optional cross baffle
- P** Extruded aluminum intermediate cover

**Housing and Optic Assembly:**

Extruded aluminum heat sink/optic housing. Exterior heat sink anodized for maximum emissivity. Precision extruded polymer refractive lens with optimal dispersion.

**Finish:**

Bright anodized extruded aluminum heat sink/housing with painted finish, white or black. Formed aluminum canopy, end hubs and stems painted white or black. Painted surfaces – 6 stage pretreatment and electrostatically applied thermoset polyester powder coating for a durable abrasion, fade and corrosion resistant finish. All hardware – stainless steel or nickel plated brass.

**Mounting:**

Required pendant, cantilever or cord mounting hangers -- ordered and priced separately; see pg. SW24.1. Specify end and intermediate hangers as needed. Cantilever/pendant supplied with recessed outlet box (suitable backing structure required). Adjustable interface plate (concealed under canopy) allows for leveling of arms.

Fixture weight: 0.8 lb/ft (1.1 kg/m).

**Electrical:**

Provided with 7ft (2438mm) leads for POE connection (see page 2 for recommended POE output settings).

**Standard:**

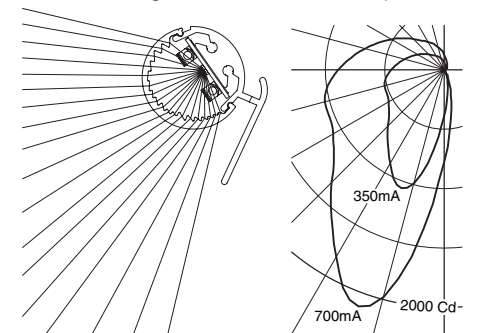
UL listed or CSA certified for damp location. 5 year warranty, maximum ambient temperature 45°C (113°F).

**Features**

- Inconspicuous low profile – lights entire wall evenly without emphasizing surface imperfections (unlike slot grazers)
- Built-in visor provides shielding of glare from below
- Adjustable and lockable aiming
- Small, elegant hub hangers with pendant stem, cable, or cantilever mounting

**Performance**

Precisely extruded acrylic lens produces an asymmetric distribution ideal for illuminating vertical surfaces evenly from top to bottom.



For LM79 and photometric reports, visit [thelightingquotient.com](http://thelightingquotient.com)

L90(10k) > 60,000 hrs. @ 25°C per TM-21



To form a Catalog Number

S | 1 | 1 | 2 | - R | - | - | - P | - | - | - 0 | 0 |  
 1 | 2 | 3 | 4 | 5 | 6 | 7 | 8 | 9 | 10

Project: \_\_\_\_\_

Type: \_\_\_\_\_

**1 Source**

S = Solid state (LED)

**2 Style**

112 = Xtra small linear LED asymmetric

**3 Length / Light Output / Power**

ORDER CODE	LENGTH	LUMENS	INPUT WATTS	NUMBER OF POE CORDS	FORWARD VOLTAGE SETTING	FORWARD CURRENT SETTING
R02G	2FT	975	7	1	36VDC	175mA
R02L	2FT	1911	13	1	36VDC	350mA
R02M	2FT	3704	27	1	36VDC	700mA
R03G	3FT	1462	10	2	1 x 18VDC 1 x 36VDC	175mA
R03L	3FT	2866	20	2	1 x 18VDC 1 x 36VDC	350mA
R03M	3FT	5555	40	2	1 x 18VDC 1 x 36VDC	700mA
R04G	4FT	1949	13	1	36VDC	175mA
R04L	4FT	3821	27	1	36VDC	350mA
R04M	4FT	7407	53	1	36VDC	700mA
R05G	5FT	2437	17	2	1 x 18VDC 1 x 36VDC	175mA 350mA
R05L	5FT	4777	33	2	1 x 18VDC 1 x 36VDC	350mA 700mA
R05M	5FT	9259	67	2	1 x 18VDC 1 x 36VDC	700mA 1400mA
R06G	6FT	2924	20	2	1 x 18VDC 1 x 36VDC	175mA 350mA
R06L	6FT	5732	40	2	1 x 18VDC 1 x 36VDC	350mA 700mA
R06M	6FT	11111	80	2	1 x 18VDC 1 x 36VDC	700mA 1400mA

Based on 3500K/80+CRI. [Click here](#) for scaled performance table.

**4 Mounting**

- X = For use with HMC, HMD, HMF, HMG or HMP hanger accessories ordered and priced separately
- Y = For use with HMQ cord suspension accessory ordered and priced separately
- Z = Individual or End of Row fixture for use with HMQ cord suspension accessory ordered and priced separately

**5 Finish**

- 02 = Semigloss white
- 06 = Dark bronze\*
- 07 = Silver\*
- 08 = Semigloss black
- 13 = Matte Black\*
- 15 = Metallic\*
- 17 = Champagne\*
- 18 = Copper\*
- 22 = Matte White\*
- PL = Platinum\*
- 99 = Custom or RAL, consult rep.\*

02	22*	PL*	07*	15*
08	13*	06*	18*	17*

\* = non-cancellable/returnable

**6 Voltage**

P = For use with POE connection

**7 Option** (See Accessories Section for specifications)

- 00 = No options
- 0B = Cross baffle, provides 25° lateral shielding
- 0M = For use in MRI medical facility. MRI filters required on output of each remote driver. Consult factory prior to specification.

**8 Destination Requirement**

- 0 = UL listed or CSA certified for U.S.
- J = UL listed or CSA certified for Canada

**9 Color Temperature / CRI**

- 827 = 2700K, 80+ CRI
  - 830 = 3000K, 80+ CRI
  - 835 = 3500K, 80+ CRI
  - 840 = 4000K, 80+ CRI
  - 927 = 2700K, 90+ CRI
  - 930 = 3000K, 90+ CRI
  - 935 = 3500K, 90+ CRI
  - 940 = 4000K, 90+ CRI
- Note:** Additional CCT and CRI options are available; consult factory.

**10 POE Connection**

- 00 = For use with POE (Power Over Ethernet) connection. See Length/Light Output/Power chart at left for recommended POE power settings.

**Required Mounting Hangers (X Mount)**

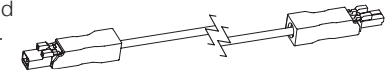
Mounting hangers HMC, HMD, HMF, HMG, HMP or HMQ are required for the S112 — ordered and priced separately. See installation sheets on website. For individually mounted luminaires, order two end hangers for each housing. For a continuous row, order two end hangers. To determine the quantity of intermediate hangers, total the number of housings in the row and subtract one. Example: a row of 5 housings requires 2 end hangers and 4 intermediate hangers.

- HMC Cantilever hanger with round canopy, intermediate
- HMD Cantilever hanger with round canopy, end
- HMF Pendant stem with round canopy, intermediate
- HMG Pendant stem with round canopy, end
- HMP Cable hanger with round canopy, feed, non-feed
- HMQ Cord Suspension with round canopy, feed, non-feed

**Accessories**

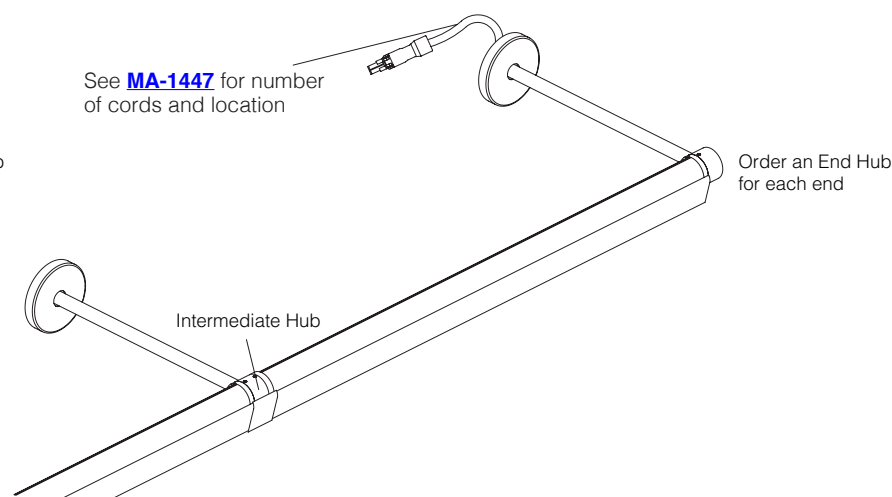
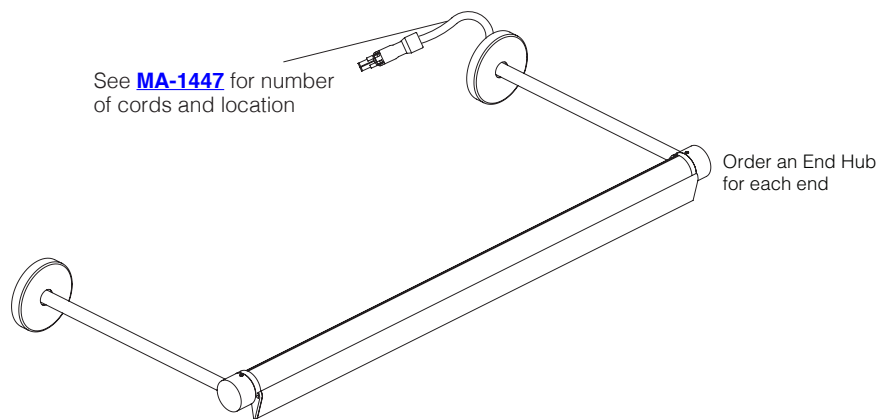
Order separately. See Accessories Section for specifications.

AXC0899 = Accessory plug and socket quick connectors for use with #18/2 AWG solid or topcoat wire by others to extend remote driver distance.



**Cantilever** linear solid state (LED)

**Style S112 shown**



**Application:**

Allows linear LED luminaires to mount and extend from the wall to be lighted. Specify intermediate and end hangers as required. Refer to data pages for applicable luminaire styles.

**Construction:**

Machined aluminum mounting hub (1-1/4" diameter) threads onto aluminum tube cantilever arm (1/2" O.D.). Miniature recessed outlet box (aluminum), 3" diameter aluminum canopy and brass slip ring provided with each hanger assembly. Grooved post at end of luminaire inserts into the hub and is locked with a cone point set screw. Slotted crossbar allows leveling of cantilever arm. Wire leads are managed up stem to outlet box. Additional 10ft long #18 AWG plenum rated cord(s) are provided between outlet box and remote driver(s).

**Length:**

Standard length is 18"; specify in 1" increments (6" minimum). See S112 data sheet. Cantilever length is measured from center of mounting hub to wall.

**Finish:**

Electrostatically applied thermoset polyester powder coat. Stainless steel hardware.

**Ordering Information:**

For use with S112 linear LED luminaire(s) ordered separately, specify **X** mount for them. Refer to individual data pages for complete ordering information.

HM | | 18 | = Cantilever with round canopy,  
 | | | 18" setback linear source  
 0 = U.S.  
 J = Canada  
 02 = Semigloss white  
 07 = Silver  
 08 = Semigloss black  
 C = Intermediate hanger  
 D = End hanger

