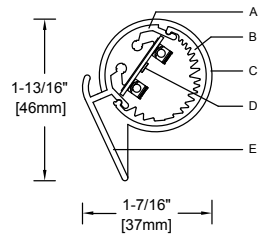
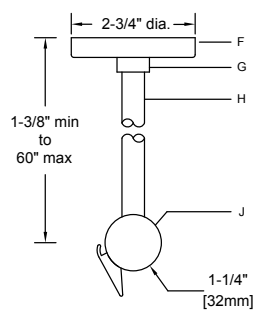


**Optical Assembly**

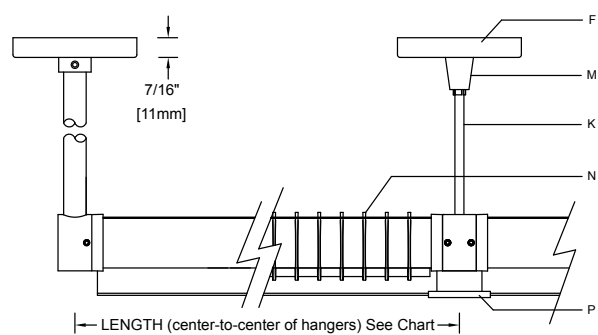
1:2 Scale



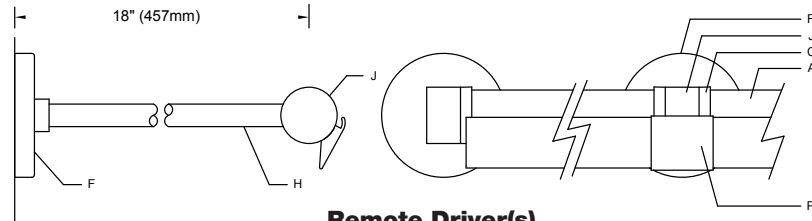
**Surface and Pendant** 1:4 Scale



**Cord**



**Cantilever** 1:4 Scale



LENGTH	CENTER-CENTER
2FT	24-3/4" (629mm)
3FT	36-1/2" (927mm)
4FT	48" (1219mm)
5FT	60" (1524mm)
6FT	72" (1829mm)

**Remote Driver(s)**

See remote LED driver document [MA-1357](#) for dimensions and wiring, mounting instructions.

**Specifications**

- A** Extruded aluminum heat sink/housing
- B** Extruded semi-diffuse lens
- C** Die-cast aluminum end plate 1-1/8" dia.
- D** Linear LED PCB with mid-power LEDs
- E** Integral visor (extruded aluminum)
- F** Aluminum canopy (3" dia. x 7/16" D)
- G** Slip ring with set screw
- H** Extruded aluminum pendant stem 1/2" O.D.
- J** Aluminum mounting hub (ordered separately)
- K** Cord, 96" long
- M** Cord grip (white, black or gray)
- N** Optional cross baffle
- P** Extruded aluminum intermediate cover

**Housing and Optic Assembly:**

Extruded aluminum heat sink/optic housing. Exterior heat sink anodized for maximum emissivity. Precision extruded polymer refractive lens with optimal dispersion.

**Finish:**

Bright anodized extruded aluminum heat sink/housing with painted finish, white or black. Formed aluminum canopy, end hubs and stems painted white or black. Painted surfaces – 6 stage pretreatment and electrostatically applied thermoset polyester powder coating for a durable abrasion, fade and corrosion resistant finish. All hardware – stainless steel or nickel plated brass.

**Mounting:**

Required pendant, cantilever or cord mounting hangers -- ordered and priced separately; see pg. SW24.1. Specify end and intermediate hangers as needed. Cantilever/pendant supplied with recessed outlet box (suitable backing structure required). Adjustable interface plate (concealed under canopy) allows for leveling of arms.

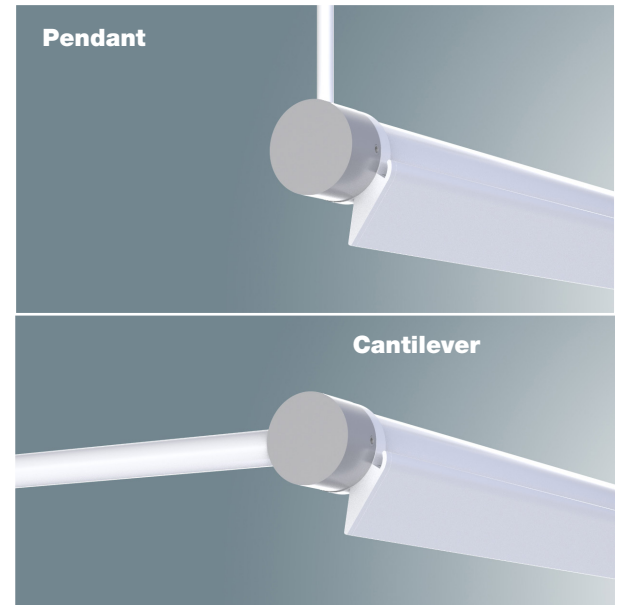
Fixture weight: 0.8 lb/ft (1.1 kg/m).

**Electrical:**

Units are furnished with 10 foot (3048mm) leads for connection to remote driver Class II output. Remote electronic HPF thermally protected Class II driver mounted in aluminum enclosure. For complete driver specifications, see website, reference document [MA-1303](#). Optional, compatible dimming controls (by others). See website for dimming compatibility and specifications.

**Standard:**

UL listed or CSA certified for damp location. 5 year warranty, maximum ambient temperature 45°C (113°F).

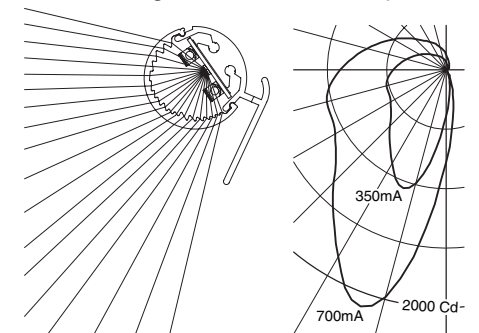


**Features**

- Inconspicuous low profile – lights entire wall evenly without emphasizing surface imperfections (unlike slot grazers)
- Built-in visor provides shielding of glare from below
- Adjustable and lockable aiming
- Small, elegant hub hangers with pendant stem, cable, or cantilever mounting

**Performance**

Precisely extruded acrylic lens produces an asymmetric distribution ideal for illuminating vertical surfaces evenly from top to bottom.



For LM79 and photometric reports, visit [thelightingquotient.com](http://thelightingquotient.com)

L90(10k) > 60,000 hrs. @ 25°C per TM-21

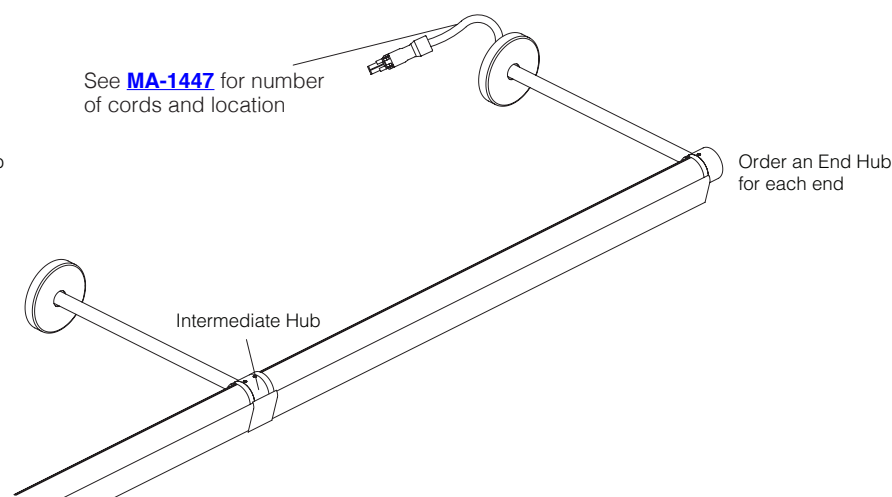
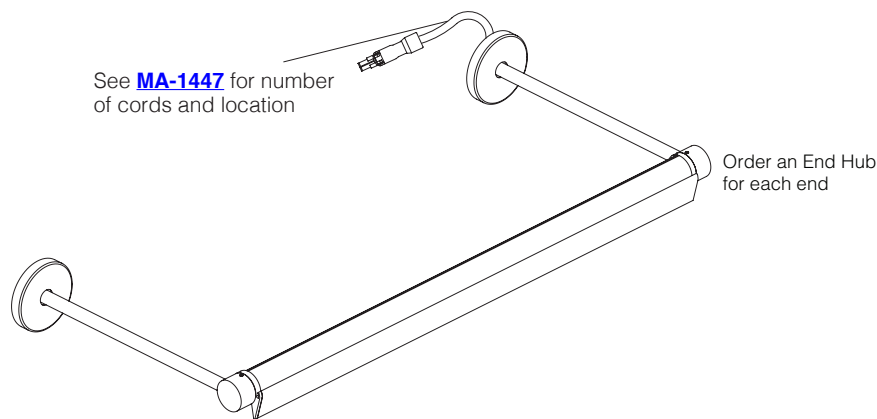






**Cantilever** linear solid state (LED)

**Style S112 shown (also valid for Styles S115, S116, and S118)**



**Application:**

Allows linear LED luminaires to mount and extend from the wall to be lighted. Specify intermediate and end hangers as required. Refer to data pages for applicable luminaire styles.

**Construction:**

Machined aluminum mounting hub (1-1/4" diameter) threads onto aluminum tube cantilever arm (1/2" O.D.). Miniature recessed outlet box (aluminum), 3" diameter aluminum canopy and brass slip ring provided with each hanger assembly. Grooved post at end of luminaire inserts into the hub and is locked with a cone point set screw. Slotted crossbar allows leveling of cantilever arm. Wire leads are managed up stem to outlet box. Additional 10ft long #18 AWG plenum rated cord(s) are provided between outlet box and remote driver(s).

**Length:**

Standard length is 18"; specify in 1" increments (6" minimum). See S112 data sheet. Cantilever length is measured from center of mounting hub to wall.

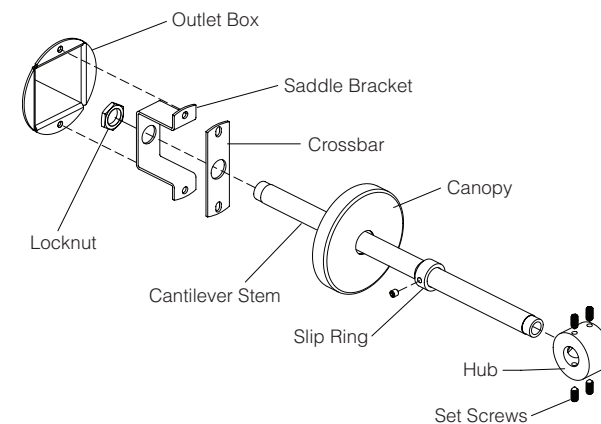
**Finish:**

Electrostatically applied thermoset polyester powder coat. Stainless steel hardware.

**Ordering Information:**

For use with S112 linear LED luminaire(s) ordered separately, specify **X** mount for them. Refer to individual data pages for complete ordering information.

HM | | 18 | = Cantilever with round canopy,  
 | | | 18" setback linear source  
 0 = U.S.  
 J = Canada  
 02 = Semigloss white  
 07 = Silver  
 08 = Semigloss black  
 C = Intermediate hanger  
 D = End hanger

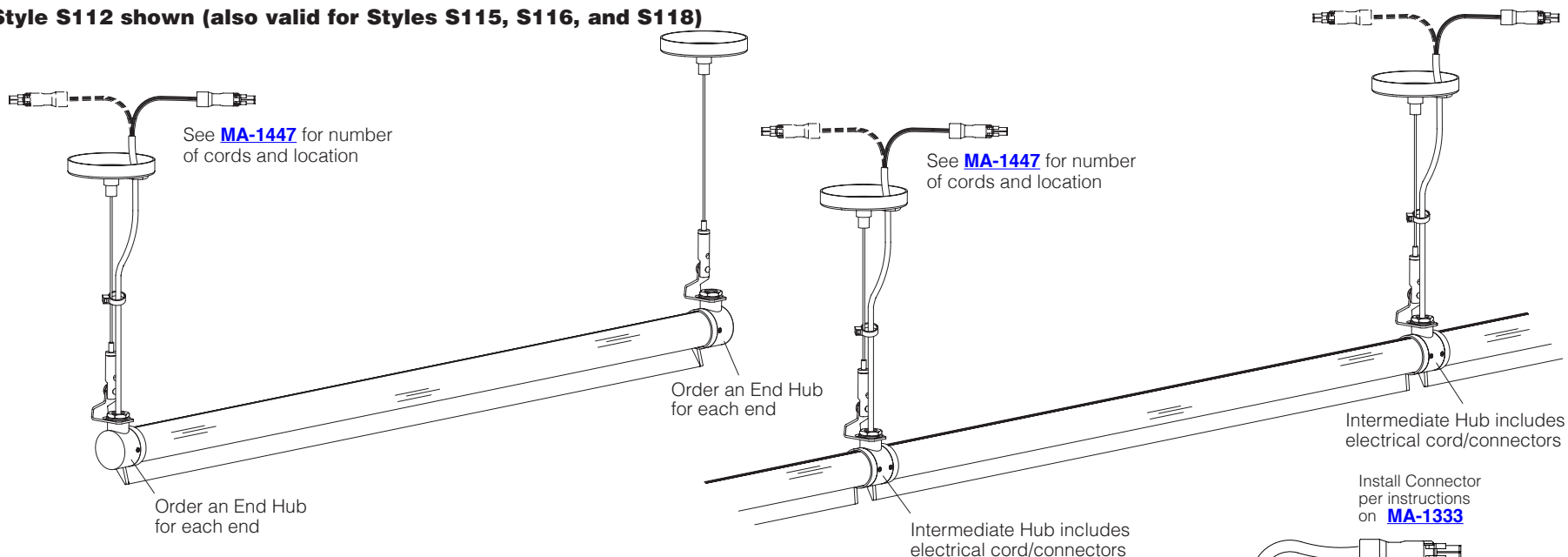


elliptipar from **The Lighting Quotient**  
 114 Boston Post Road, West Haven, Connecticut 06516, USA  
 Voice 203.931.4455 • Fax 203.931.4464 • [thelightingquotient.com](http://thelightingquotient.com)

*Certain products illustrated may be covered by applicable patents and patents pending. These specifications supersede all prior publications and are subject to change without notice. Copyright © 2020 Sylvan R. Shemitz Designs, LLC, all rights reserved.*

**Mini hub/cable hanger** linear solid state (LED)

**Style S112 shown (also valid for Styles S115, S116, and S118)**



**Application:** Suspends Style S112 luminaire below a ceiling plane in a wall washing orientation. Specify end electrical, end non-electrical and intermediate cable hangers as required.

**Construction:**

Machined aluminum mounting hub (1-1/4" diameter) with 1/16" dia. 7x7 stranded aircraft cable with 1/4-20 coupler, steel crossbar and aluminum ceiling canopy. Miniature recessed outlet box (aluminum). 3" diameter aluminum canopy. Cable glider at hub allows length to be field adjusted.

Threaded rod, T-bar clips or alternative 1/4-20 hangers are supplied by installing contractor. Nipple at end of luminaire inserts into the hub and is locked with a cone point set screw. Additional 10ft long #18 AWG plenum rated cord(s) are provided between outlet box and remote driver(s).

**Length:** Field adjustable length up to 96" maximum.

**Finish:** Hub and canopy receive a 6-stage pretreatment and electrostatically applied thermoset powder for a stable, long lasting and corrosion resistant finish. Cable hardware is nickel plated brass.

**Note:** Cable gliders are NOT suitable for DAMP locations.

**Ordering Information:**

For use with Style S112 linear LED luminaire(s) ordered separately, specify **X** mount. Refer to individual data pages for complete ordering information.

**HMP** \_\_\_\_\_ **Mini hub/cable mount,**  
end or intermediate with  
aircraft cable hanger

**Destination Requirement**

**0** = U.S.  
**J** = Canada

**Canopy finish**

**02** = Semigloss white  
**07** = Silver  
**08** = Semigloss black

**Cable length**

**96** = 96" length (2438mm)

**Hub finish**

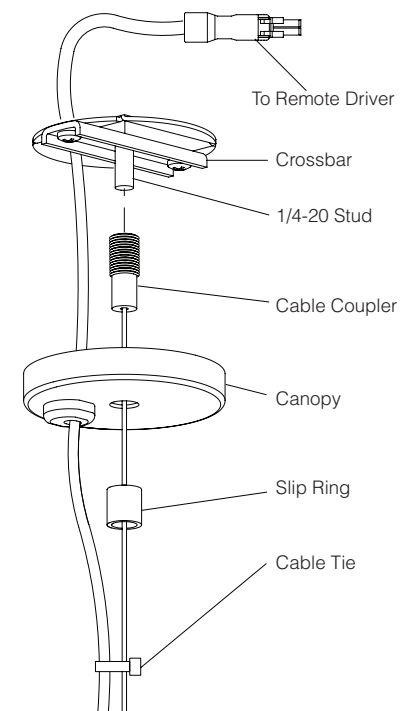
**02** = Semigloss white  
**07** = Silver  
**08** = Semigloss black

**Configuration**

**1** = End hub (electrical)  
**2** = End hub (non-electrical)  
**3** = Intermediate hub (electrical)

**elliptipar from The Lighting Quotient**

114 Boston Post Road, West Haven, Connecticut 06516, USA  
Voice 203.931.4455 • Fax 203.931.4464 • [thelightingquotient.com](http://thelightingquotient.com)

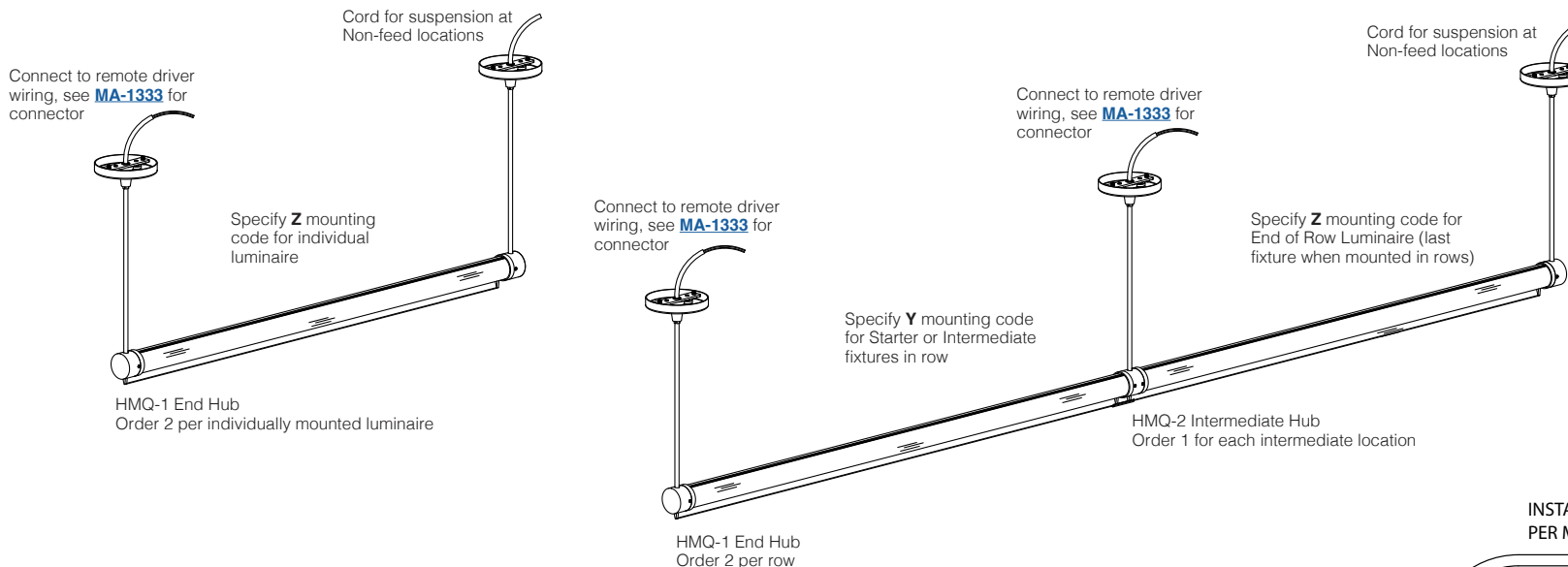


*Certain products illustrated may be covered by applicable patents and patents pending. These specifications supersede all prior publications and are subject to change without notice. Copyright © 2020 Sylvan R. Shemitz Designs, LLC, all rights reserved.*



**Cord and Hub Suspension** linear solid state (LED)

**Style S112 shown (also valid for Styles S115, S116, and S118)**



**Application:**

Suspends Style S112 luminaire below a ceiling plane in a wall-washing orientation. Specify end electrical, end non-electrical and intermediate HMQ hangers as required.

**Construction:**

Machined aluminum mounting hub (1-1/4" diameter x 3/4" wide) with 1/4" diameter cord., steel crossbar and steel ceiling canopy. Miniature recessed outlet box (aluminum) with aluminum toggle bracket and stainless steel screws. Cord grip allows height adjustment and leveling of luminaire. Nipple at end of luminaire inserts into the hub and is locked with a cone point set screw. Additional 10ft long #18 AWG plenum rated cord(s) are provided between outlet box and remote driver(s). Modular 2-wire connectors provided for attachment to cord and plug into driver box.

**Length:**

Field adjustable length up to 96" maximum.

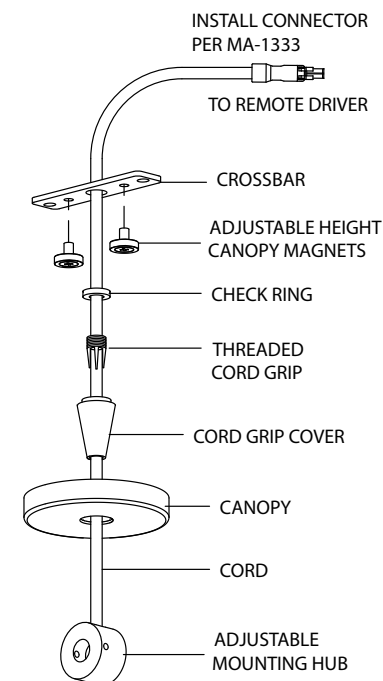
**Finish:**

Hub and canopy receive a 6-stage pretreatment and electrostatically applied thermoset powder for a stable, long lasting and corrosion-resistant finish. Note: HMQ hangers are NOT suitable for DAMP locations.

**Ordering Information:**

For use with S112 linear LED luminaire(s) ordered separately, specify **Y** mount for them. Refer to individual data pages for complete ordering information.

<p><b>HMQ</b></p> <p>_____</p> <p>_____</p> <p>_____</p> <p>_____</p> <p>_____</p> <p>_____</p>	<p><b>Mini hub/cord mount</b> End or intermediate hanger</p> <p><b>Destination Requirement</b> 0 = U.S. J = Canada</p> <p><b>Canopy Finish</b> 02 = Semigloss white 07 = Silver/Gray 08 = Black</p> <p><b>Cable Length</b> 96 = 96" Length</p> <p><b>Hub &amp; Cord Finish</b> 02 = Semigloss white 07 = Silver/Gray 08 = Black</p> <p><b>Configuration</b> 1 = End hub 2 = Intermediate hub</p>
---	--

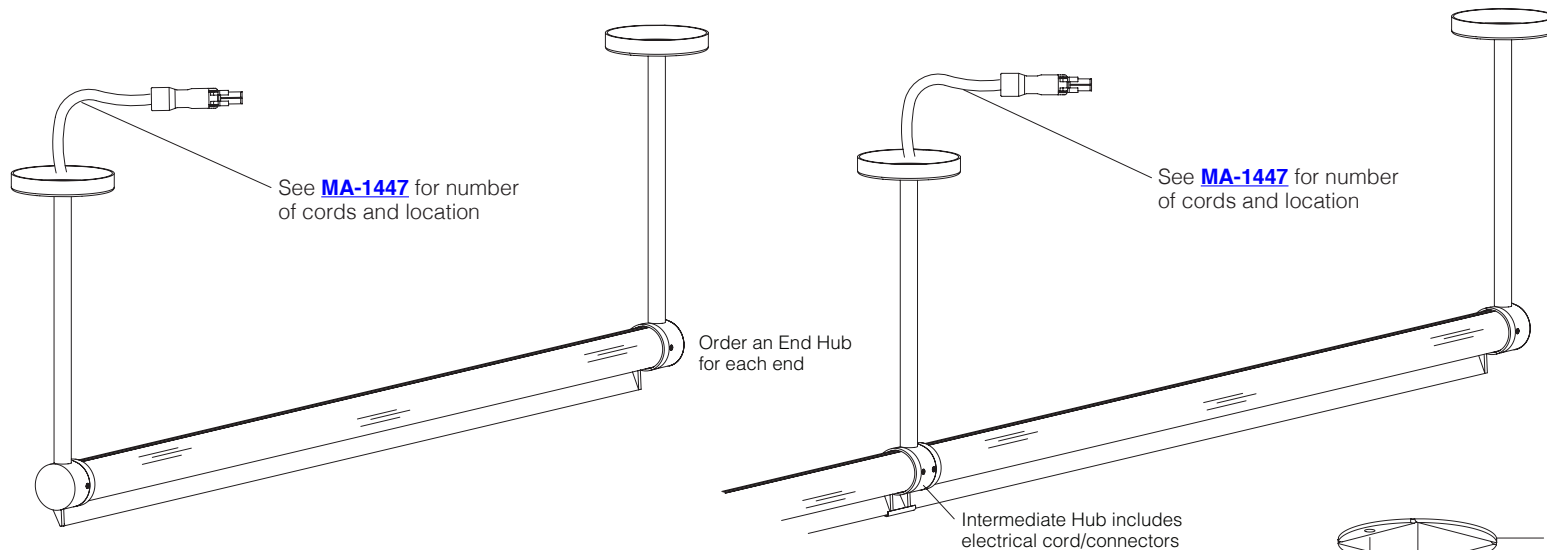


elliptipar from **The Lighting Quotient**  
114 Boston Post Road, West Haven, Connecticut 06516, USA  
Voice 203.931.4455 • Fax 203.931.4464 • [thelightingquotient.com](http://thelightingquotient.com)

*Certain products illustrated may be covered by applicable patents and patents pending. These specifications supersede all prior publications and are subject to change without notice. Copyright © 2020 Sylvan R. Shemitz Designs, LLC, all rights reserved.*

**Wallwash Pendant** linear solid state (LED)

**Style S112 shown (also valid for Styles S115, S116, and S118)**



**Application:**

Suspends linear LED luminaires below a horizontal ceiling plane in a wall washing orientation. Specify intermediate and end hangers as required. Refer to data pages for applicable luminaire styles.

**Construction:**

Machined aluminum mounting hub (1-1/4" diameter) threads onto aluminum tube stem (1/2" O.D.). Miniature recessed outlet box (aluminum), 3" diameter aluminum canopy and brass slip ring provided with each hanger assembly. Grooved post at end of luminaire inserts into the hub and is locked with a cone point set screw. Wire leads are managed up stem to outlet box. Additional 10ft long #18 AWG plenum rated cord(s) are provided between outlet box and remote driver(s).

**Length:**

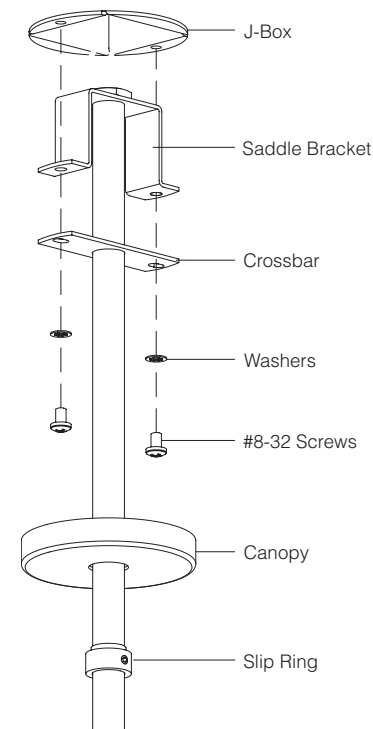
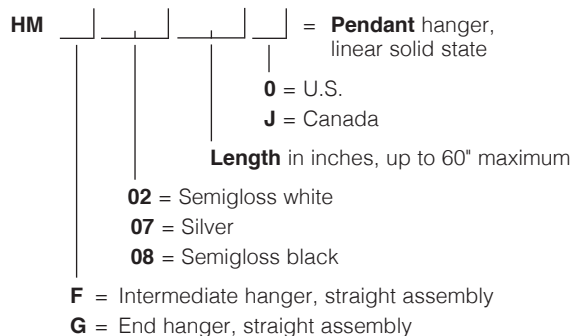
Specify in 1" increments up to 60" maximum (6" minimum); see S112 data sheet. Pendant length is measured from center of mounting hub to underside of ceiling surface.

**Finish:**

Electrostatically applied thermoset polyester powder coat. Stainless steel hardware.

**Ordering Information:**

For use with S112 linear LED luminaire(s) ordered separately, specify **X** mount. Refer to individual data pages for complete ordering information.



elliptipar from **The Lighting Quotient**  
 114 Boston Post Road, West Haven, Connecticut 06516, USA  
 Voice 203.931.4455 • Fax 203.931.4464 • [thelightingquotient.com](http://thelightingquotient.com)

*Certain products illustrated may be covered by applicable patents and patents pending. These specifications supersede all prior publications and are subject to change without notice. Copyright © 2020 Sylvan R. Shemitz Designs, LLC, all rights reserved.*