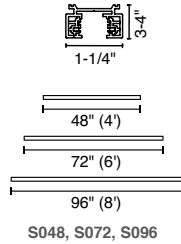


Job Name:	Contact:
Ordering Code:	Fixture Type:

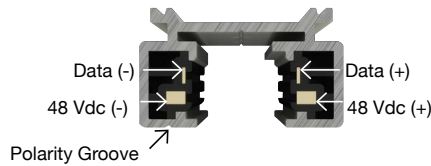
SM[®]RTrack Surface or Pendant



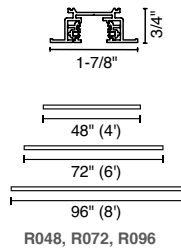
- Extruded aluminum profile
- Power bus conductors, 48 Vdc 25A max
- 0-10V or DALI data bus conductors
- Field cuttable and drillable

example: SMT - S048 - 3

Base	Type	Finish
SMT	S048 4'	2 black
	S072 6'	3 white
	S096 8'	



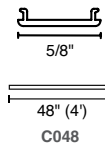
SM[®]RTrack Recessed



- Extruded aluminum profile
- Power bus conductors, 48 Vdc 25A max
- 0-10V or DALI data bus conductors
- Field cuttable and drillable

example: SMT - R048 - 3

Base	Type	Finish
SMT	R048 4'	2 black
	R072 6'	3 white
	R096 8'	



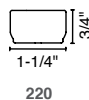
SM[®]RTrack Cover

- For surface, pendant and recessed SMARTrack
- Field cuttable

example: SMT - C048 - 3

Base	Type	Finish
SMT	C048 4'	2 black
		3 white

SM[®]RTrack End Cap



example: SMT - 220 - 2

Base	Type	Finish
SMT	220 ¹ end cap	2 black
		3 white

Note:
1. End cap included with each track section

cETLus Listed

Job Name:

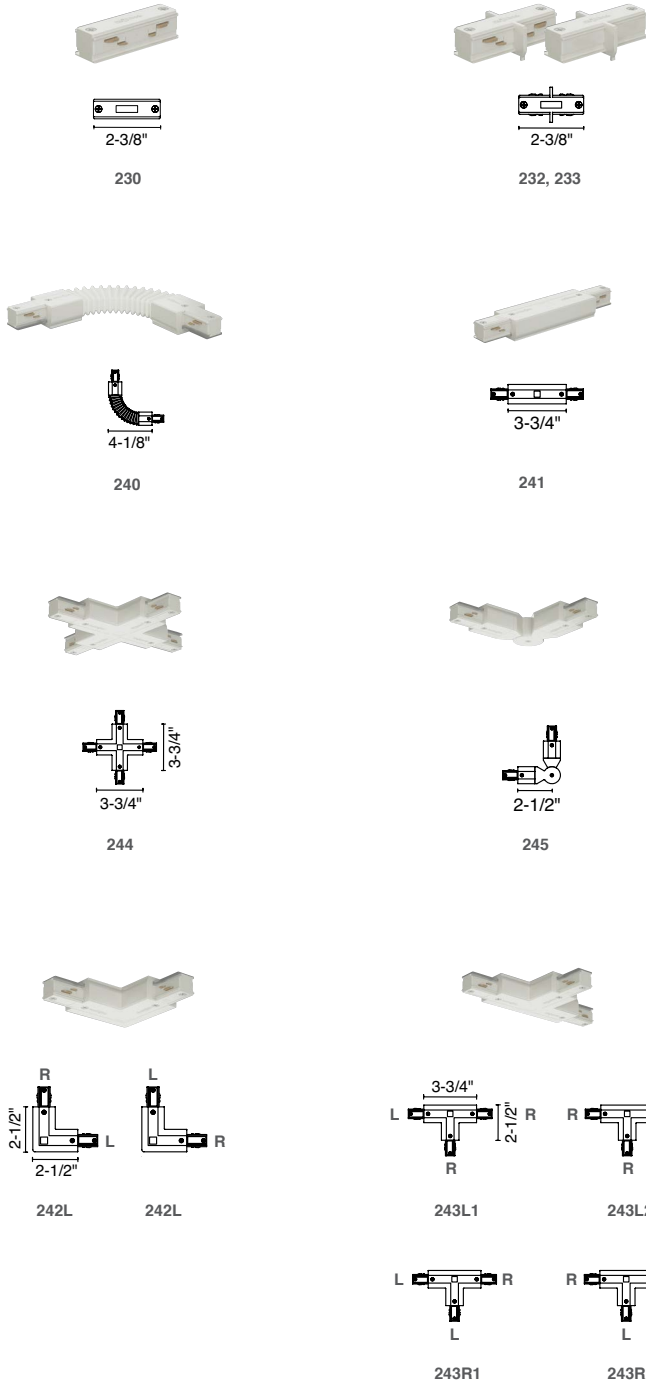
Contact:

Ordering Code:

Fixture Type:

SMARTrack Connectors

example: SMT - 230 - 3

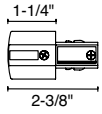


Base	Type	Finish	
SMT	230	mini connector	2 black
	232	mini connector with stopper	3 white
	233	ISO mini connector with stopper	
	240 ³	flex connector	
	241 ¹	straight connector	
	242L ¹	L connector, left	
	242R ¹	L connector, right	
	243L1 ¹	T connector, L1	
	243L2 ¹	T connector, L2	
	243R1 ¹	T connector, R1	
	243R2 ¹	T connector, R2	
	244 ^{2,3}	X connector	
	245 ³	angle adjustable connector, 60° - 300°	

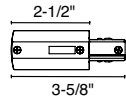
Note:

- 1/2" KO feedable and stem mount
- 1/2" KO for stem mount only (not feedable)
- No Power Feed

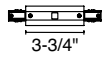
Job Name:	Contact:
Ordering Code:	Fixture Type:



210L, 210R



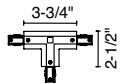
211L, 211R



241



242L, 242R



243L1, 243L2, 243R1, 243R2

SMARTrack Power Feeds

- Power feeds pre-wired with 10ft cables
- 2x 12 AWG stranded (for 48 Vdc) Red/Black
- 2x 18 AWG stranded (for data) Violet/Grey

example: SMT - 211L - 2 - 10

Base	Type	Finish	Power feed cable length	
SMT	210L	live end feed, left	2 black 3 white	10 10 feet
	210R	live end feed, right		
	211L ¹	live end conduit feed left		
	211R ¹	live end conduit feed right		
	241 ^{1,2}	straight connector		
	242L ^{1,2}	L connector, left		
	242R ^{1,2}	L connector, right		
	243L1 ^{1,2}	T connector, L1		
	243L2 ^{1,2}	T connector, L2		
	243R1 ^{1,2}	T connector, R1		
	243R2 ^{1,2}	T connector, R2		

Note:

1. 1/2" KO feedable and stem mount
2. See page 2 for details of connector configuration.



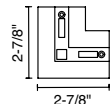
C210



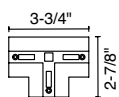
C211



C241



C242



C243



C244

SMARTrack Recessed Cover

example: SMT - C241 - 3

Base	Type	Finish	
SMT	C210	recessed end feed cover	2 black 3 white
	C211	recessed conduit end feed cover	
	C241	recessed straight cover	
	C242	recessed L cover	
	C243	recessed T cover	
	C244	recessed X cover	

Job Name:	Contact:
Ordering Code:	Fixture Type:

SMARTrack Mounting

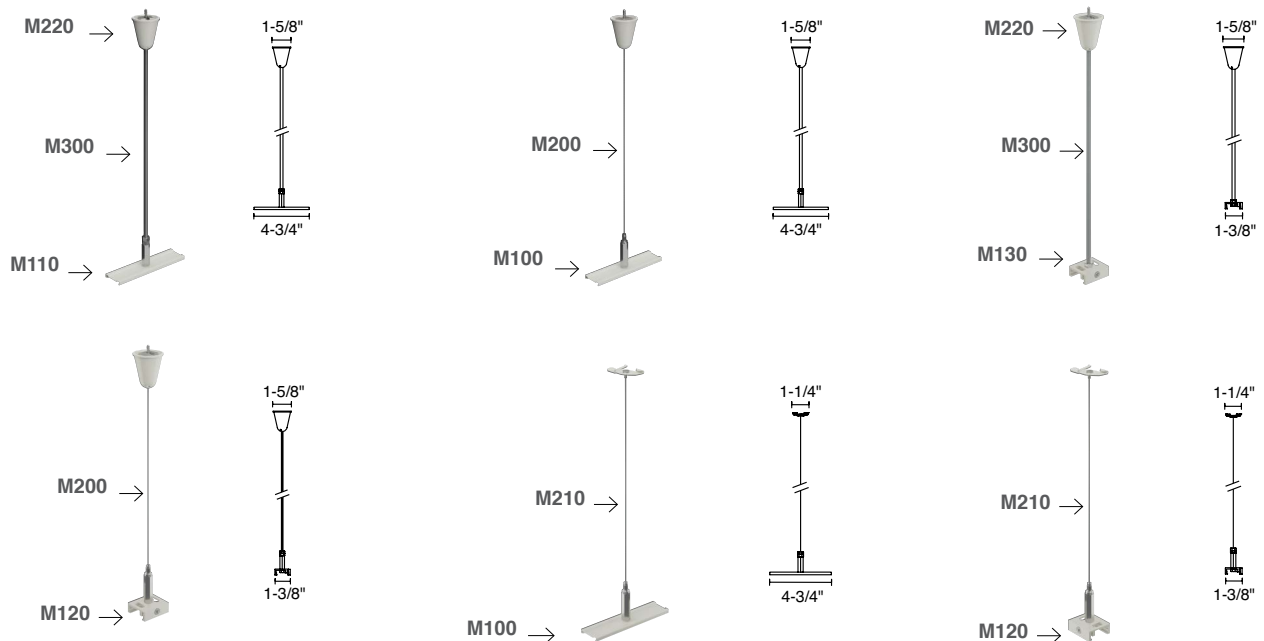
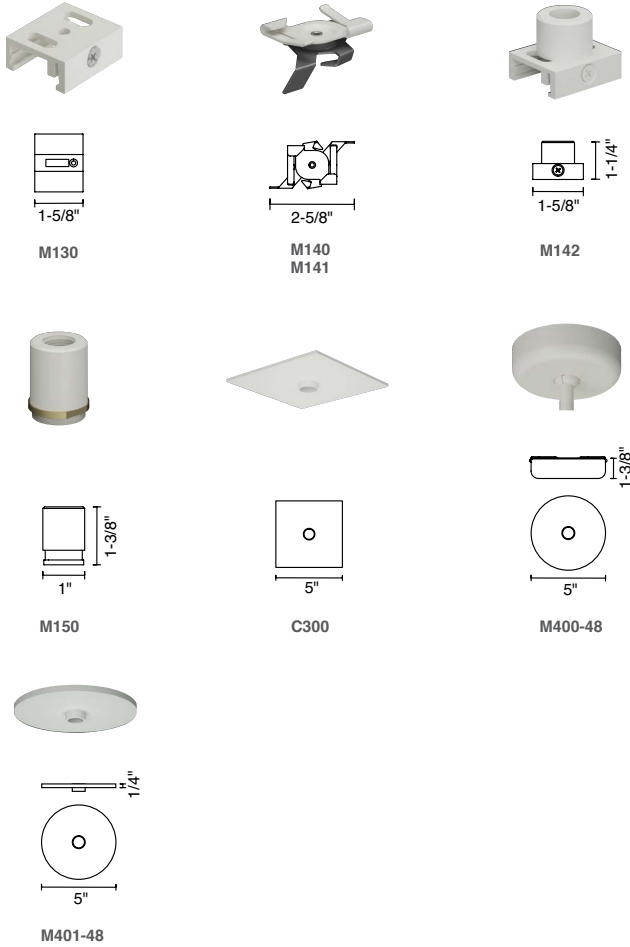
• Maximum 4ft spacing between mounts

example: SMT - M220 - 2

Base	Type	Finish	
SMT	M100	low profile slide-on mount, with cable gripper	2 black
	M110	low profile slide-on mount, with 1/4-20 coupler	3 white
	M120	clamp mount, with cable gripper	
	M130	clamp mount, ceiling mount or 1/4-20 rod <small>(includes 2x 1/4-20 Nuts)</small>	
	M140	t-bar EZClick caddy to track 15/16 t-bar	
	M141	t-bar EZClick caddy to track 9/16 t-bar	
	M142	clamp mount, threaded coupler 3/8-18 stem	
	M150	threaded coupler 3/8-18 support accessory <small>(for L, T, X, straight and conduit end feed)</small>	
	M200	ceiling cup aircraft cable kit <small>(includes 10' aircraft cable)</small>	
	M210	t-bar aircraft cable kit <small>(includes 10' aircraft cable, with 15/16" and 9/16" clips)</small>	
	M220	ceiling cup <small>(for 1/4-20 Rod)</small>	
	M300'	4' 1/4-20 threaded rod <small>(includes coupler)</small>	
	M400-48	field adjustable 48" stem with swivel canopy, 3/8-18"; slope ceiling / CA seismic.	
	M401-48²	low profile 48" fixed stem and canopy, 3/8-18"; factory adjustable.	
	C300	ceiling mount j-box cover	

Note:

1. No finish option for 1/4-20 rigid rod
2. Shallow canopy with rigid stem connection shall be used in jurisdictions that DO NOT require light fixtures to freely swing in lateral directions, complying with local and national building codes.



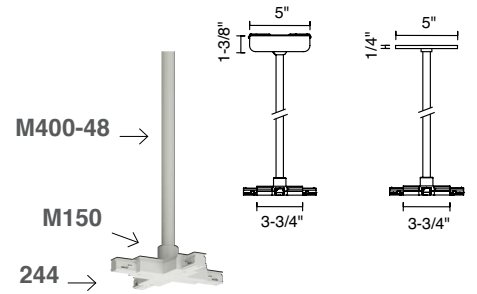
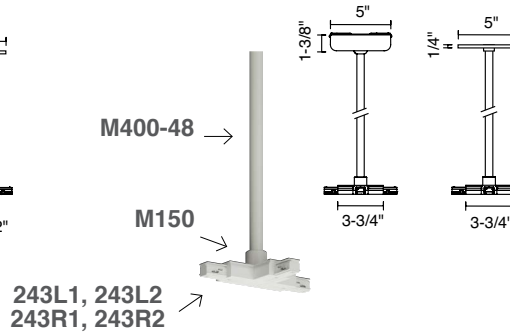
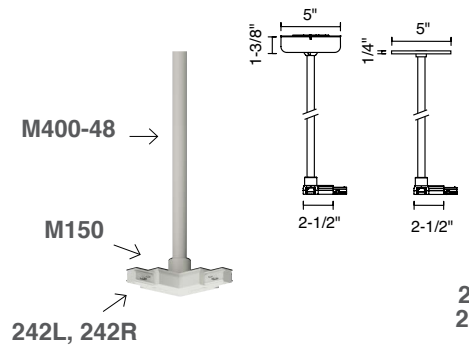
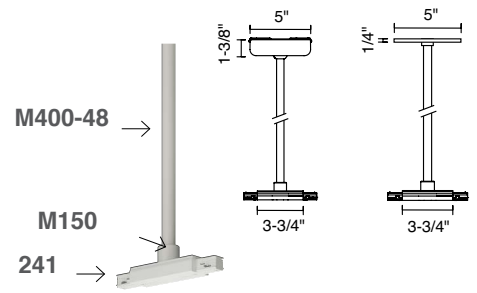
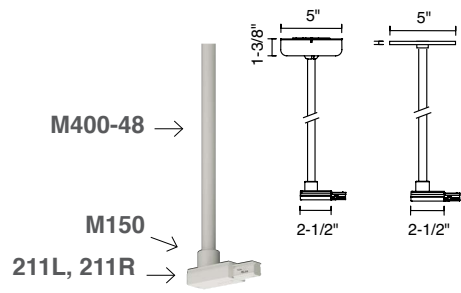
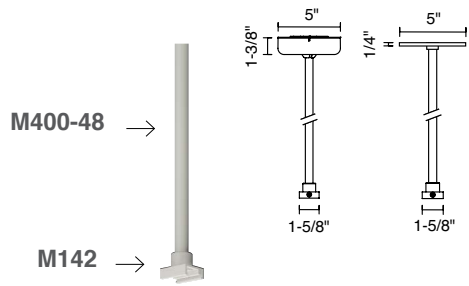
cETLus Listed

Job Name:

Contact:

Ordering Code:

Fixture Type:

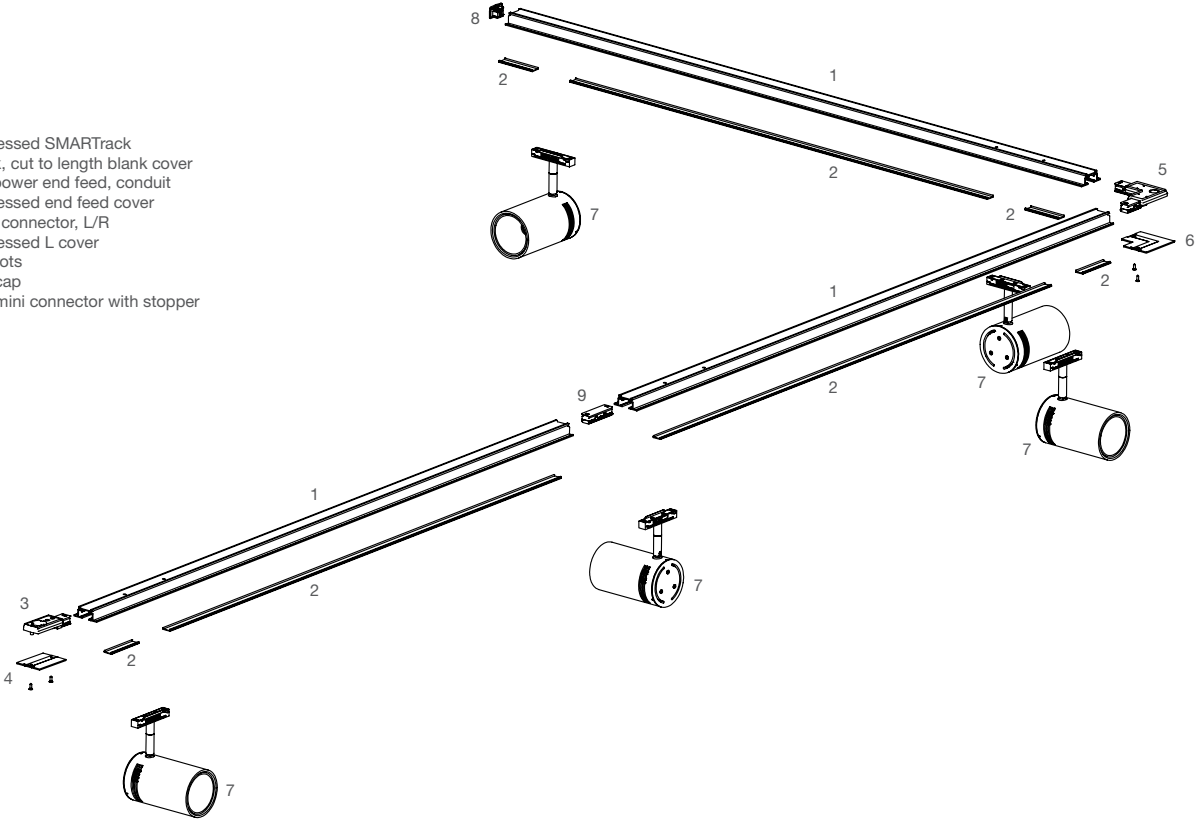


Job Name:	Contact:
Ordering Code:	Fixture Type:

SMARTRACK DESIGN GUIDE

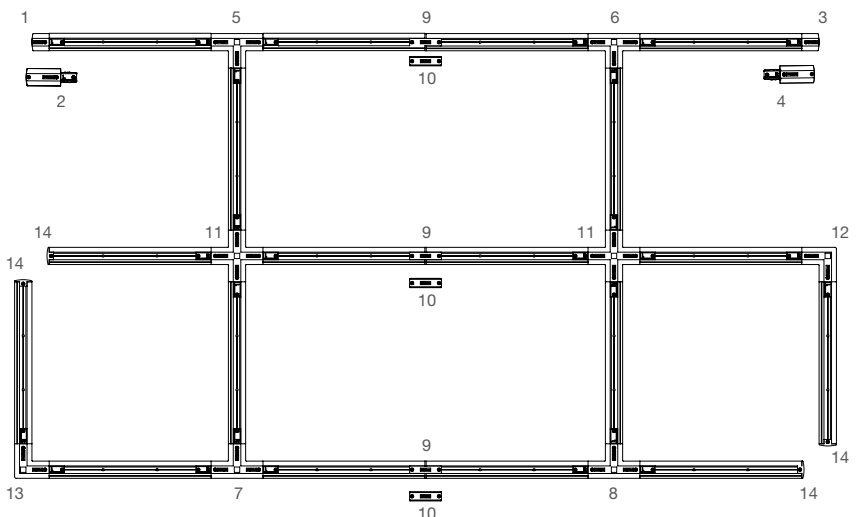
PRODUCT KEY

- 1 3 x SMTR-048, recessed SMARTTrack
- 2 7 x SMTS-048-blnc, cut to length blank cover
- 3 1 x SMT-211 L/R, power end feed, conduit
- 4 1 x SMT-C211, recessed end feed cover
- 5 1 x SMT-242L/R, L connector, L/R
- 6 1 x SMT-C242, recessed L cover
- 7 5 x E15 SMART Spots
- 8 1 x SMT-220, end cap
- 9 1 x SMT-232/233, mini connector with stopper



PRODUCT KEY

- 1 1 x SMT-210L, live end feed
- 2 OPTIONAL: 1 x SMT-211L, conduit feed
- 3 1 x SMT-210R, live end feed
- 4 OPTIONAL: 1 x SMT-211R, conduit feed
- 5 1 x SMT-243R2, T connector, R2
- 6 1 x SMT-243L2, T connector, L2
- 7 1 x SMT-243L1, T connector, L1
- 8 1 x SMT-243R1, T connector, R1
- 9 3 x SMT-232/233, mini connector with stopper
- 10 OPTIONAL: 3 x SMT-230, mini connector
- 11 2 x SMT-244, X connector
- 12 1 x SMT-242R, L connector, R
- 13 1 x SMT-242L, L connector, L
- 14 4 x SMT-220, end cap



Job Name:

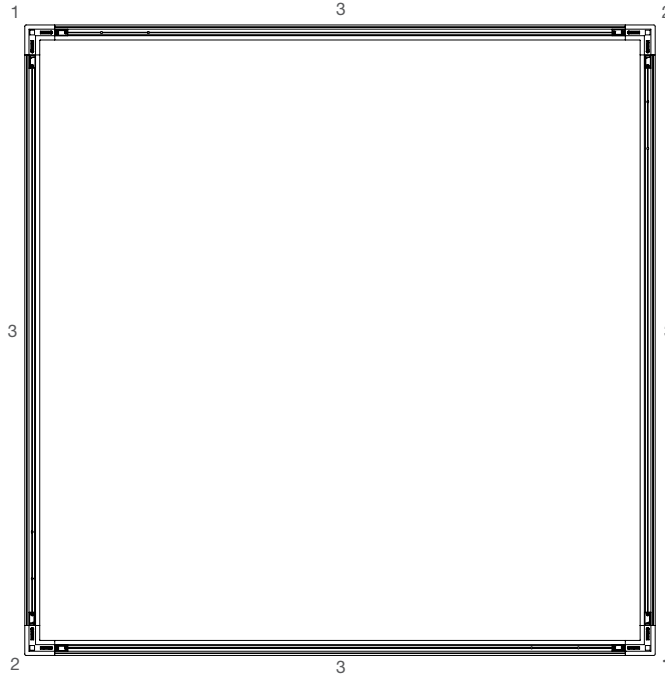
Contact:

Ordering Code:

Fixture Type:

PRODUCT KEY

- 1 2 x SMT-242L, L connector, L
- 2 2 x SMT-242R, L connector, R
- 3 4 X SMTS-096-2, 96" SMARTrack



PRODUCT KEY

- 1 2 x SMT-245, angle adjustable connector 60° - 300°
- 2 OPTIONAL: 2 x SMT-240, flex connector
- 3 3 x SMTS-072-2, 72" SMARTrack
- 4 1 x SMT-210L/R, live end feed
- 5 OPTIONAL: 1 x SMT-211L/R, conduit feed
- 6 1 x SMT-220-2, end cap

