

Job Name:	Contact:
Ordering Code:	Fixture Type:

SMARTrack LEDbay Pendant 9"

Description

The SMARTrack LEDbay Pendant with Chroma technology is available with multiple cutting-edge LED and control protocols. It has a traditional, attractive low bay form factor using a 9" spun aluminum reflector and 9" opal glass shade. It is offered in white and black.

Static White provides premium performance using efficient chip-on-board (COB) LED technology.

Xicato XIM provides energy efficient light and industry best color consistency, with 2-step MacAdam ellipse 1x2 SDCM.

SunLike produces a spectrum that mimics natural sunlight for high quality light with Human Centric benefit and high EML ratios.

Housing

Machined aluminum housing with black or white finish. Removable formed aluminum or cast glass shade.

Mounting

48Vdc SMARTrack systems

59" standard cord length. Factory shortening suggested.

Electrical/Controls

- 48Vdc input (+/- 5%)
- Flicker-free dimming using Bluetooth Low Energy (BLE) control (Casambi or Galaxi), or hardwired control (0-10V or DALI)
- BLE beacon technology: iBeacon™ (Casambi or Galaxi) or Google Eddystone™ (Galaxi only)

Listings

- ETLus Listed to UL1574 (track suitable for dry locations)
- cETL Listed to CSA C22.2 #9.0



metal shade



white glass

Standard COB - Ordering Codes

Follow the steps to specify your fixture, example: **112 - 400 - SW - 10LM - 30K - 80 - WH - SMT - CAS**

Part Number	Shade	LED	Delivered Lumen	CCT
112	400 metal	SW Static White	10LM 840 lm	27K 2700K
	401 white glass		13LM 1070 lm	30K 3000K
			20LM 1700 lm	35K 3500K
			25LM 2080 lm	40K 4000K
			30LM 2540 lm	50K 5000K

CCT	2700K		3000K		3500K		4000K		5000K	
CRI	80+	90+	80+	90+	80+	90+	80+	90+	80+	90+
CCT MULTIPLIER FOR LUMEN OUTPUT	0.96	0.81	1.00	0.84	1.01	0.85	1.03	0.87	1.04	N/A

CRI	Finish	Mounting	Dimming
80 80 CRI	BK black	SMT 48V SMARTrack	CAS Casambi BLE dimming to 0%
90 90 CRI	WH white		DIM10Z ¹ 0-10V dimming to 0%

SW (LED)	POWER
DELIVERED LM	W (80/90 CRI)
840	7
1070	9
1700	15
2080	19
2540	24

Standby power draw² < 0.5W
 0-10V current draw < 0.5mA

NOTES

- ¹ Consult factory for compatible 0-10V dimmers.
- ² Standby power draw is when luminaire is dimmed to off.

Job Name:	Contact:
Ordering Code:	Fixture Type:

Xicato Intelligent Module - Ordering Codes

Follow the steps to specify your fixture, example: **112 - 400 - XIM - 20LM - 35K - 83 - BK - SMT - CAS**

Part Number	Shade	LED	Delivered Lumen	CCT	CRI	Finish	Mounting
112	400 metal	XIM Xicato XIM	07LM 530 lm	27K 2700K	83 83 CRI 98 ¹ 98 CRI	BK black	SMT 48V SMARTTrack
	401 white glass		10LM 730 lm	30K 3000K		WH white	
			13LM 930 lm	V30K 3000K Vibrant			
			16LM 1150 lm	35K 3500K			
			20LM 1460 lm	40K 4000K			

Dimming

CAS	Casambi BLE dimming to 0%
DIM10Z ²	0-10V dimming to 0%
DALIZ	DALI dimming to 0%
DIM10ZBL ²	Galaxi BLE + 0-10V dimming to 0%
DALIZBL	Galaxi BLE + DALI dimming to 0%

XIM (LED)	POWER	
DELIVERED LM	W (83 CRI)	W (98 CRI)
530	8	9
730	11	12
930	14	16
1150	18	20
1460	22	N/A

NOTES

- 1 98 CRI not available in 20 LM.
- 2 Consult factory for compatible 0-10V dimmers.
- 3 Standby power draw is when luminaire is dimmed to off.

Standby power draw³ < 0.5W
0-10V current draw < 0.5mA

SunLike - Ordering Codes

Follow the steps to specify your fixture, example: **112 - 400 - SUN - 10LM - 30K - 97 - WH - SMT - CAS**

Part Number	Shade	LED	Delivered Lumen	CCT	CRI
112	400 metal	SUN SunLike (Seoul Semiconductor)	7LM 610 lm	27K 2700K	97 97 CRI
	401 white glass		10LM 860 lm	30K 3000K	
			13LM 1100 lm	35K 3500K	
				40K 4000K	
				50K 5000K	

CCT	2700K	3000K	3500K	4000K	5000K
CCT MULTIPLIER FOR LUMEN OUTPUT	0.96	1.00	1.03	1.08	1.14
EML RATIO ²	N/A	0.57	0.67	0.76	0.87

Finish	Mounting	Dimming
BK black WH white	SMT 48V SMARTTrack	CAS Casambi BLE dimming to 0% DIM10Z ¹ 0-10V dimming to 0%

SUN (LED)	POWER
DELIVERED LM	W (97 CRI)
610	7
860	10
1100	13

Standby power draw³ < 0.5W
0-10V current draw < 0.5mA

NOTES

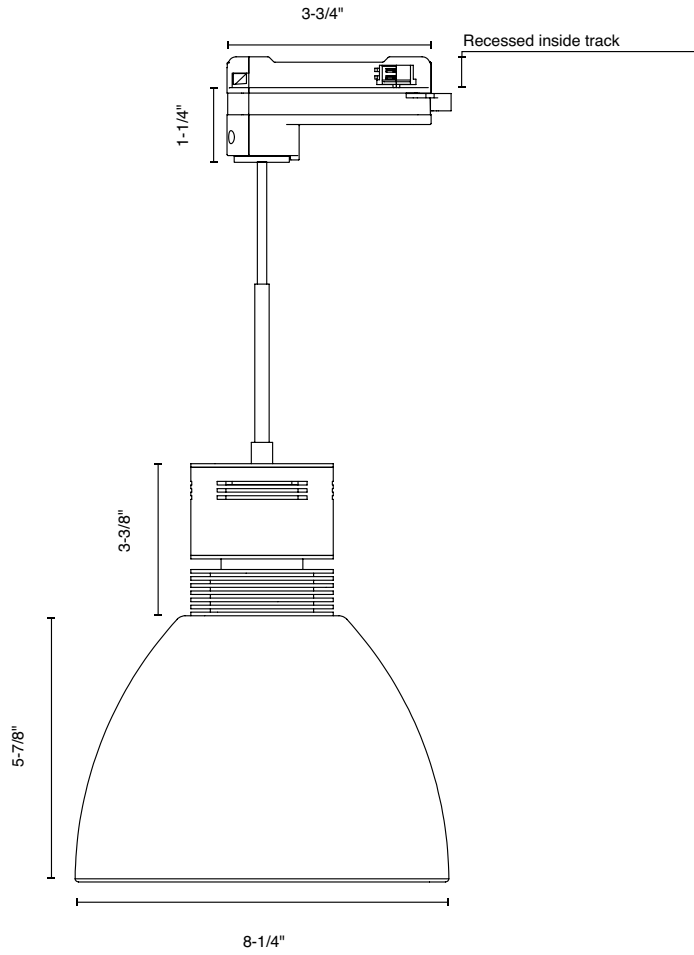
- 1 Consult factory for compatible 0-10V dimmers.
- 2 EML = equivalent melanopic lux. To calculate EML, multiply the measured photopic lux by the EML ratio for the given CCT.
Example: 264 lux x 0.76 = 200 melanopic lux at 4000K.
- 3 Standby power draw is when luminaire is dimmed to off.

Job Name:

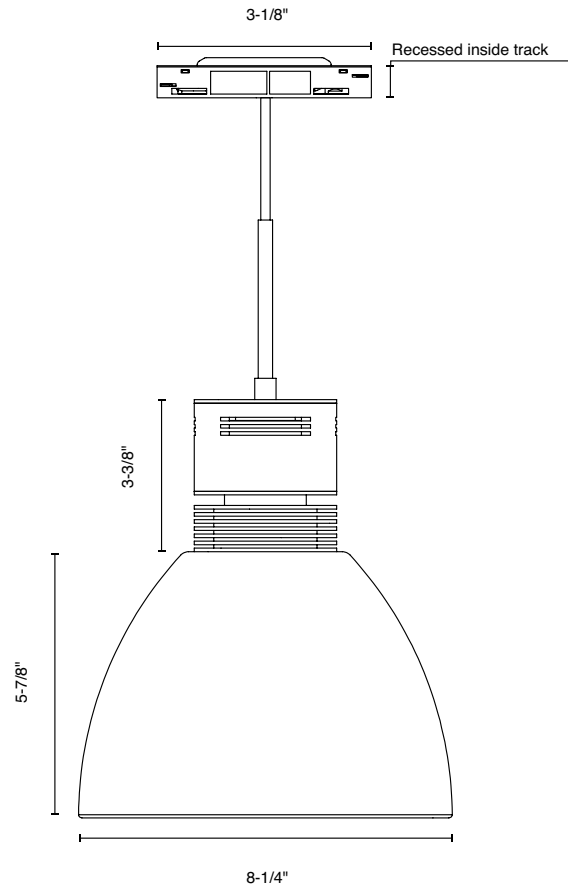
Contact:

Ordering Code:

Fixture Type:



Smart Adapter



Flush Adapter
(available for Xicato XIM only)