

PROJECT NAME:

TYPE:

NOTES:

IK10 PLUS HIGH LUMEN SERIES

HIGH-BAY LED LUMINAIRE SPECIALIZING IN HIGH-ABUSE APPLICATIONS. INTENDED FOR GYMNASIUMS, NATATORIUMS, MANUFACTURING AND INDUSTRIAL FACILITIES, WAREHOUSES, CONVENTION CENTERS AND OTHER HIGH-CEILING APPLICATIONS.

OPTICS:

- WIDE 120° BEAM ANGLE FOR MAXIMUM UNIFORMITY
- DIFFUSE LENSING AVAILABLE IN CLEAR AND WHITE
- OPTIONAL POLYCARBONATE OR ACRYLIC LENSES
- WRAP-AROUND LENS OFFERS UP TO 10% UPLIGHT
- LED BARS ARE ROTATABLE FOR CUSTOM LIGHT DISTRIBUTION
- OPTIONAL NARROW REFLECTOR FOR AISLE APPLICATIONS

MECHANICAL:

- EXCEEDS IMPACT RATING OF IK10
- EXTRUDED ALUMINUM CONSTRUCTION
- STAINLESS STEEL HARDWARE
- ISOLATED DRIVER CHANNELS
- THERMALLY INDEPENDENT HEAT SINK LED BARS
- BRIGHT DIP ANODIZED FOR CORROSION RESISTANCE
- AMBIENT TEMPERATURE RATING:
-40°F TO 150°F, -40°C TO 65.5°C

COMPONENTS:

- HIGH-OUTPUT SAMSUNG LED CHIPS
- HIGH-TEMP OSRAM DRIVERS

INSTALLATION:

- AIRCRAFT CABLE SUSPENSION
- SURFACE MOUNTING
- RIGID PENDANT
- CUSTOM MOUNTS AVAILABLE, CONTACT FACTORY



PERFORMANCE:

- 25,760 NOMINAL LUMENS (5000K, NO LENS)
- 163 WATTS
- 158 LUMENS PER WATT
- TM-21: L₇₀ >72,000 HOURS
- CALCULATED L₇₀ >147,000 HOURS SPACING

ELECTRICAL:

- 120-277VAC STANDARD / 347-480VAC OPTIONAL
- 0-10V, 10% DIMMING DRIVERS STANDARD

WARRANTY:

- 10-YEAR WARRANTY ON FIXTURE BODY
- 5-YEAR WARRANTY ON ELECTRONICS
- FOR SPECIAL REQUESTS, CONTACT FACTORY

FIXTURE DIMENSIONS:

- 48" L x (9-15)" W x 2.5" H
- 18-24LBS SEE ASSEMBLY CONFIGURATIONS BELOW

LISTINGS AND RATINGS:

- UL 1598 FOR DRY, DAMP, WET, AND CANOPY LOCATIONS
- ARRA COMPLIANT (MADE IN AMERICA)
- IP 56 RATED
- UL EPH LISTED - NSF RATED
- DLC PREMIUM LISTED
- 3G VIBRATION RATING



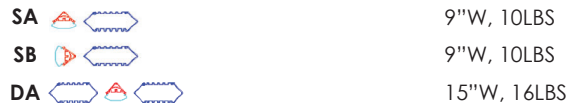
LUX IK10P L 1 H03 4'

MFR	SERIES	OUTPUT	NUMBER OF BARS	ELECTRONIC CHANNELS	ASSEMBLY CONFIG.	MODULE	CRI CCT	LENGTH	VOLTAGE DIMMING	LENS	NARROW OPTICS	CORD	CONTROLS	EMERGENCY BACKUP	CHANNEL ACCESS	BAR AIMING	FINISH	MOUNTING	APPLI-CATION	CUSTOM FIXTURE OUTPUT
LUX	IK10+	L-HIGH LUMEN	1	S -SINGLE D -DOUBLE	A B C D E F G	HIGH OUTPUT GEN. 3	850 840 835 830	4'	120-277V U10 10% dim U1 1% dim UX no dimming 347-480V H10 10% dim H1 1% dim HX no dimming	NL CA4 WA4 CP4 WP4	NRW SECONDARY NARROW OPTIC MAY BE USED ON SOME OR ALL BARS OF FIXTURE. IF MIXED DISTRIBUTION IS REQUIRED, PLEASE COORDINATE WITH FACTORY TO SPECIFY	3/10 4/10 5/10 6/10 WIRES 3 TO 6 LENGTH 10', 15', 20', 30'	DLH DAYLIGHT SENSOR OCC OCCUPANCY SENSOR D/O DAYLIGHT AND OCCUPANCY WCM WIRELESS CONTROL	EM 10 10W BATTERY EM 15 15W BATTERY	TOP BOT	DIR 0°NADIR IND 180°NADIR XX/AIM FIELD-AIMABLE LED BARS CLD CUSTOM LIGHT DISTRIBUTION COORDINATE WITH FACTORY	STND MFHB CC ● END CAP ● CHANNEL ● LID ● HANGING BRACKETS ● BAR	CABLE: H10-18Y H10-18Y T H4P10 H4P10SS PENDANT: MH1P MH2P SPM SURFACE: SM UH2 UH4 SEE MOUNTING DETAILS (PG2) FOR AVAILABLE OPTIONS	ARCH AFH GEN GYM HNG ICE MFG NAT TC WHS	PLEASE NOTE DELIVERED LUMENS ABOVE

CRI PERFORMANCE DATA

80 CRI - STANDARD/NOMINAL
90 CRI - 6% LIGHT LOSS
OTHER CRI AVAILABLE, CONTACT FACTORY

CHANNEL AND ASSEMBLY CONFIGURATION:



CUSTOM CONFIGURATIONS AVAILABLE, CONTACT FACTORY

CCT PERFORMANCE DATA

5000K - STANDARD/NOMINAL
4000K - 4% LIGHT LOSS
3500K - 6% LIGHT LOSS
3000K - 8% LIGHT LOSS
OTHER CCT AVAILABLE, CONTACT FACTORY

LENS PERFORMANCE DATA

NL (NO LENS) - NOMINAL, NO LIGHT LOSS
CAx (CLEAR ACRYLIC) - 9% LIGHT LOSS
WAx (WHITE/FROSTED ACRYLIC) - 16% LIGHT LOSS
CPx (CLEAR POLYCARBONATE) - 14% LIGHT LOSS
WPx (WHITE/FROSTED POLYCARBONATE) - 22% LIGHT LOSS

CORD DATA

3 WIRE - SINGLE LEG ON/OFF SWITCH
4 WIRE - DUAL LEG SWITCH, OR SINGLE SWITCH WITH EMERGENCY BATTERY
5 WIRE - SINGLE LEG SWITCH WITH DIMMING
6 WIRE - DUAL LEG SWITCH WITH DIMMING OR SINGLE SWITCH WITH EMERGENCY BATTERY

APPLICATION TYPE:

ARCH - ARCHITECTURAL
AFH - ARENA/FIELDHOUSE
GEN - GENERAL
GYM - GYMNASIUM
HNG - HANGAR
ICE - ICE RINK
MFG - MANUFACTURING
NAT - NATATORIUM
TC - TENNIS COURT
WHS - WAREHOUSE

FIXTURE "FINISH" DETAILS

STND-STANDARD:
-LUX GREEN HANGING BRACKETS
-BRIGHT DIP ANODIZED EXTRUSIONS
-QUALIFIES AS NATATORIUM RATED
-IF INSTALLED IN A NATATORIUM, LUX RECOMMENDS STAINLESS STEEL MOUNTS.

MFHB-HANGING BRACKETS:
-MILL FINISH HANGING BRACKETS
-BRIGHT DIP ANODIZED EXTRUSIONS

CC-CUSTOM COLOR:
-2MIL NATATORIUM-GRADE POWDERCOATED COMPONENTS IN ANY COLOR.
-PLEASE SPECIFY RAL NUMBER AND COMPONENTS TO BE FINISHED WHEN ORDERING.

CHANNEL ACCESS

TOP - FIXTURE CHANNEL ACCESSIBLE FROM ABOVE, NOT AVAILABLE ON SURFACE MOUNTS.
BOTTOM - FIXTURE CHANNEL ACCESSIBLE FROM BELOW.

PHOTOMETRIC DATA

LUX-IK10P-L-1-SA-HO3-850-4-U10-CA4

LUMEN OUTPUT TABLE

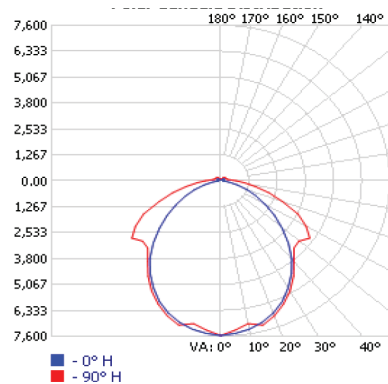
80+ CRI STANDARD

Lens	5000K	4000K	3500K	3000K
NL (No Lens)	25,760	24,730	24,214	23,699
CAX (Clear Acrylic)	23,442	22,504	22,035	21,566
WAX (White Acrylic)	21,638	20,773	20,340	19,907
CPx (Clear Polycarbonate)	22,154	21,267	20,824	20,381
WPx (White Polycarbonate)	20,093	19,289	18,887	18,485

ZONAL LUMEN SUMMARY

Zone	Lumens	%Fixt
0-20	2,709	11.40%
0-30	5,746	24.30%
0-40	9,297	39.30%
0-60	16,249	68.60%
0-80	21,105	89.10%
0-90	22,081	93.30%
10-90	21,378	90.30%
20-40	6,588	27.80%
20-50	10,135	42.80%
40-70	9,873	41.70%
60-80	4,856	20.50%
70-80	1,934	8.20%
80-90	975	4.10%
90-110	819	3.50%
90-120	1,109	4.70%
90-130	1,332	5.60%
90-150	1,543	6.50%
90-180	1,597	6.70%
110-180	779	3.30%
0-180	23,678	100.00%

POLAR CANDELA GRAPH



LEGEND:

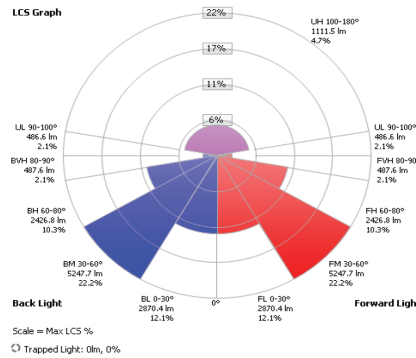
MAXIMUM CANDELA = 7558
LOCATED AT:
HORIZONTAL ANGLE = 0,
VERTICAL ANGLE = 0

#1: VERTICAL PLANE
THROUGH HORIZONTAL
ANGLES (0 - 180)
(THROUGH MAX. CD.)

#2: VERTICAL PLANE
THROUGH HORIZONTAL
ANGLES (90 - 270)

#3: HORIZONTAL CONE
THROUGH VERTICAL ANGLE
(0) (THROUGH MAX. CD.)

LCS GRAPH



FRONT:
LOW=2872.9
MEDIUM=5251.5
HIGH=2428.2
VERY HIGH=487.7

BACK:
LOW=2872.9
MEDIUM=5251.5
HIGH=2428.2
VERY HIGH=487.7

UPLIGHT:
LOW=486.5
HIGH=1110.8

BUG RATING:
B4-U5-G3

COEFFICIENTS OF UTILIZATION - ZONAL CAVITY METHOD

EFFECTIVE FLOOR CAVITY REFLECTANCE: 20%

RC	80				70				50				40				10				0			
	RW	70	50	30	10	70	50	30	10	50	30	10	50	30	10	50	30	10	50	30	10	0		
0	1.17	1.17	1.17	1.17	1.17	1.14	1.14	1.14	1.14	1.07	1.07	1.07	1.01	1.01	1.01	.96	.96	.96	.96	.96	.96	.93		
1	1.06	1.01	.96	.92	1.02	.98	.93	.90	.92	.89	.85	.87	.84	.82	.82	.82	.80	.78	.75	.75	.75	.75		
2	.96	.87	.80	.74	.93	.85	.78	.72	.80	.74	.70	.76	.71	.67	.72	.68	.64	.62	.62	.62	.62	.62		
3	.87	.76	.68	.61	.84	.74	.66	.60	.70	.63	.58	.66	.61	.56	.63	.58	.54	.52	.52	.52	.52	.52		
4	.80	.67	.58	.51	.77	.65	.57	.50	.62	.55	.49	.59	.53	.48	.56	.51	.46	.44	.44	.44	.44	.44		
5	.73	.60	.51	.44	.71	.58	.50	.43	.56	.48	.42	.53	.46	.41	.50	.45	.40	.38	.38	.38	.38	.38		
6	.68	.54	.45	.38	.65	.53	.44	.38	.50	.43	.37	.48	.41	.36	.46	.40	.35	.33	.33	.33	.33	.33		
7	.63	.49	.40	.34	.60	.48	.39	.33	.46	.38	.33	.44	.37	.32	.42	.36	.31	.29	.29	.29	.29	.29		
8	.58	.45	.36	.30	.56	.44	.35	.30	.42	.34	.29	.40	.33	.29	.38	.32	.28	.26	.26	.26	.26	.26		
9	.54	.41	.33	.27	.53	.40	.32	.27	.38	.31	.26	.37	.30	.26	.35	.30	.25	.23	.23	.23	.23	.23		
10	.51	.38	.30	.24	.49	.37	.29	.24	.35	.29	.24	.34	.28	.23	.33	.27	.23	.21	.21	.21	.21	.21		

OPTION DATA

CONTACT FACTORY FOR DETAILED SPECIFICATIONS OF EACH OPTION. CONTACT FACTORY FOR USE IN 347/480V APPLICATIONS.

DAYLIGHT HARVESTING & OCCUPANCY SENSOR	
CONTROL TYPE	PIR/PHOTOCELL 1-10v
AMBIENT TEMPERATURE	5°C TO 55°C
MOUNTING HEIGHT	8' TO 40'

OCCUPANCY SENSOR - ON/OFF	
CONTROL TYPE	PIR LINE VOLTAGE
AMBIENT TEMPERATURE	-10°C TO 60°C, LOW TEMP OPTION AVAILABLE
MOUNTING HEIGHT	15' TO 40'

WIRELESS CONTROL MODULE	
CONTACT FACTORY FOR WIRELESS CONTROL/SENSOR OPTIONS	

EMERGENCY BATTERY 10-WATT	
APPROX. LUMEN OUTPUT	1,360 LUMENS WITH CA LENS AND 5000K
AMBIENT TEMPERATURE	0°C TO 55°C
ILLUMINATION TIME	90 MINUTES


EMERGENCY BATTERY 15-WATT	
APPROX. LUMEN OUTPUT	2,040 LUMENS WITH CA LENS AND 5000K
AMBIENT TEMPERATURE	0°C TO 55°C
ILLUMINATION TIME	90 MINUTES

MOUNTING DETAILS

CABLE MOUNTS:



HXX-18Y OR HXX-18Y T (AC CABLE 2-POINT)
 -"XX" DENOTES LENGTH IN FEET.
 AVAILABLE IN 10', 20', 30'
 -"T" AT END OF PART NUMBER
 DENOTES TOGGLE INSTEAD OF HOOK



H4PXX (AC CABLE 4-POINT)
 -"XX" DENOTES LENGTH IN FEET.
 AVAILABLE IN 10', 20', 30'
 -"SS" AT END OF PART NUMBER
 DENOTES NATATORIUM GRADE 316 STAINLESS STEEL.
 RECOMMENDED FOR NATATORIUM APPLICATIONS

PENDANT MOUNT:

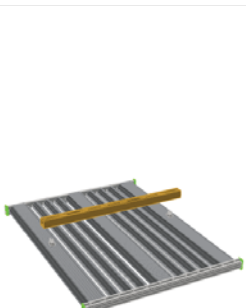


SPM (SINGLE POINT MOUNT)
 -3/4" IP THREADED HUB, SUSPENDED JUNCTION BOX
 -FIXED LENGTH (3' OR 5') AIRCRAFT CABLE HANGERS
 PROVIDED WITH HOOK ENDS.
 -POWER CORD ORDERED SEPARATELY

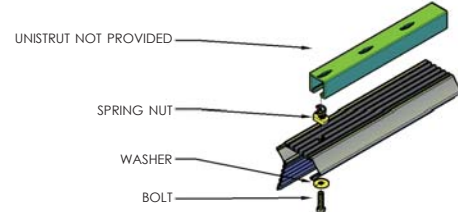

SURFACE MOUNTS:



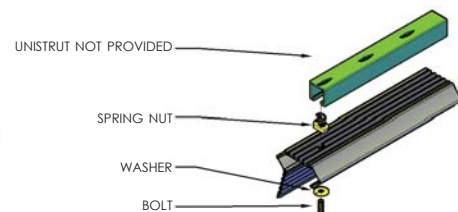
SM (SURFACE MOUNT)
 -NO ADDITIONAL HANGING HARDWARE PROVIDED
 -FIXTURE MAY BE ANCHORED TO ANY SUITABLE SUBSTRATE
 THROUGH ELECTRONICS CHANNEL



UH2 (UNISTRUT HARDWARE, 2 POINT)
 -UNISTRUT HARDWARE INCLUDES SPRING-NUT AND BOLT
 -2 SETS WILL BE PROVIDED

UH4 (UNISTRUT HARDWARE, 4 POINT)
 -UNISTRUT HARDWARE INCLUDES SPRING-NUT AND BOLT
 -4 SETS WILL BE PROVIDED



MYER'S HUB PENDANT MOUNTS:



MH1P (MYERS HUB 1 POINT)
 -(1) 3/4" IP THREADED HUB PROVIDED
 -OTHER HUB DIAMETERS ARE AVAILABLE, CONTACT FACTORY
 -MACHINED MOUNTING POINT IN FIXTURE CENTER PROVIDED
 -STEM/THREADED ROD NOT PROVIDED
 -NOT AVAILABLE ON ALL MODELS AND OPTIONS,
 CONTACT FACTORY FOR DETAILS.



MH2P (MYERS HUB 2 POINT)
 -(2) 3/4" IP THREADED HUBS PROVIDED
 -OTHER HUB DIAMETERS ARE AVAILABLE, CONTACT FACTORY
 -MACHINED MOUNTING POINTS IN FIXTURE CHANNEL(S)
 PROVIDED
 -STEMS/THREADED RODS NOT PROVIDED
 -NOT AVAILABLE ON ALL MODELS AND OPTIONS,
 CONTACT FACTORY FOR DETAILS.