

PROJECT NAME:

TYPE:

NOTES:

## IK10 PLUS HIGH LUMEN SERIES

HIGH-BAY LED LUMINAIRE SPECIALIZING IN HIGH-ABUSE APPLICATIONS. INTENDED FOR GYMNASIUMS, NATATORIUMS, MANUFACTURING AND INDUSTRIAL FACILITIES, WAREHOUSES, CONVENTION CENTERS AND OTHER HIGH-CEILING APPLICATIONS.

### OPTICS:

- WIDE 120° BEAM ANGLE FOR MAXIMUM UNIFORMITY
- DIFFUSE LENSING AVAILABLE IN CLEAR AND WHITE
- OPTIONAL POLYCARBONATE OR ACRYLIC LENSES
- WRAP-AROUND LENS OFFERS UP TO 10% UPLIGHT
- LED BARS ARE ROTATABLE FOR CUSTOM LIGHT DISTRIBUTION
- OPTIONAL NARROW REFLECTOR FOR AISLE APPLICATIONS

### MECHANICAL:

- EXCEEDS IMPACT RATING OF IK10
- EXTRUDED ALUMINUM CONSTRUCTION
- STAINLESS STEEL HARDWARE
- ISOLATED DRIVER CHANNELS
- THERMALLY INDEPENDENT HEAT SINK LED BARS
- BRIGHT DIP ANODIZED FOR CORROSION RESISTANCE
- AMBIENT TEMPERATURE RATIO  
-40°F TO 150°F, -40°C TO 65.5°C

### COMPONENTS:

- HIGH-OUTPUT SAMSUNG LED
- HIGH-TEMP OSRAM DRIVERS

### INSTALLATION:

- AIRCRAFT CABLE SUSPENSION
- SURFACE MOUNTING
- RIGID PENDANT
- CUSTOM MOUNTS AVAILABLE, CONTACT FACTORY



### PERFORMANCE:

- 24,620 NOMINAL LUMENS (5000K, NO LENS)
- 163 WATTS
- 151 LUMENS PER WATT
- TM-21: L<sub>70</sub> >72,000 HOURS
- CALCULATED L<sub>70</sub> >147,000 HOURS SPACING

### ELECTRICAL:

- 120-277VAC STANDARD / 347-480VAC OPTIONAL
- 0-10V, 10% DIMMING DRIVERS STANDARD

### WARRANTY:

- 10-YEAR WARRANTY ON FIXTURE BODY
- 5-YEAR WARRANTY ON ELECTRONICS
- FOR SPECIAL REQUESTS, CONTACT FACTORY

### FIXTURE DIMENSIONS:

- 24"L x (12-24)"W x 2.5"H
- 18-24LBS SEE ASSEMBLY CONFIGURATIONS BELOW

### LISTINGS AND RATINGS:

- UL 1598 FOR DRY, DAMP, WET, AND CANOPY LOCATIONS
- ARRA COMPLIANT (MADE IN AMERICA)
- IP 56 RATED
- UL EPH LISTED - NSF RATED
- DLC PREMIUM LISTED
- 3G VIBRATION RATING



LUX IK10P L 2 HO3 2'

MFR	SERIES	OUTPUT	NUMBER OF BARS	ELECTRONIC CHANNELS	ASSEMBLY CONFIG.	MODULE	CRI CCT	LENGTH	VOLTAGE DIMMING	LENS	NARROW OPTICS	CORD	CONTROLS	EMERGENCY BACKUP	CHANNEL ACCESS	BAR AIMING	FINISH	MOUNTING	APPLI-CATION	CUSTOM FIXTURE OUTPUT
LUX	IK10+	L-HIGH LUMEN	2	S -SINGLE D -DOUBLE T -TRIPLE	A B C D E F G	HIGH OUTPUT GEN. 3	850 840 835 830	2'	120-277V U10 10% dim U1 1% dim UX no dimming 347-480V H10 10% dim H1 1% dim HX no dimming	NL CA2 WA2 CP2 WP2	NRW SECONDARY NARROW OPTIC MAY BE USED ON SOME OR ALL BARS OF FIXTURE. IF MIXED DISTRIBUTION IS REQUIRED, PLEASE COORDINATE WITH FACTORY TO SPECIFY	3/10 4/10 5/10 6/10 WIRES 3 TO 6 LENGTH 10', 15', 20', 30'	DLH DAYLIGHT SENSOR OCC OCCUPANCY SENSOR D/O DAYLIGHT AND OCCUPANCY WCM WIRELESS CONTROL	EM 10 10W BATTERY EM 15 15W BATTERY	TOP BOT	DIR 0°NADIR IND 180°NADIR xxx/AIM FIELD-AIMABLE LED BARS CLD CUSTOM LIGHT DISTRIBUTION COORDINATE WITH FACTORY	STND MFHB CC END CAP CHANNEL LID HANGING BRACKETS BAR	CABLE: H10-18Y H10-18Y T H4P10 H4P10SS PENDANT: MH1P MH2P SPM SURFACE: SM UH2 UH4 SEE MOUNTING DETAILS (PG2) FOR AVAILABLE OPTIONS	ARCH AFH GEN GYM HNG ICE MFG NAT TC WHS	PLEASE NOTE DELIVERED LUMENS ABOVE

### CRI PERFORMANCE DATA

- 80 CRI - STANDARD/NOMINAL
- 90 CRI - 6% LIGHT LOSS
- OTHER CRI AVAILABLE, CONTACT FACTORY

### CCT PERFORMANCE DATA

- 5000K - STANDARD/NOMINAL
- 4000K - 4% LIGHT LOSS
- 3500K - 6% LIGHT LOSS
- 3000K - 8% LIGHT LOSS
- OTHER CCT AVAILABLE, CONTACT FACTORY

### CHANNEL AND ASSEMBLY CONFIGURATION:

- SA
- SB
- DA
- DB
- TA

CUSTOM CONFIGURATIONS AVAILABLE, CONTACT FACTORY

### APPLICATION TYPE:

- ARCH - ARCHITECTURAL
- AFH - ARENA/FIELDHOUSE
- GEN - GENERAL
- GYM - GYMNASIUM
- HNG - HANGAR
- ICE - ICE RINK
- MFG - MANUFACTURING
- NAT - NATATORIUM
- TC - TENNIS COURT
- WHS - WAREHOUSE

### FIXTURE "FINISH" DETAILS

- STND-STANDARD:
  - LUX GREEN HANGING BRACKETS
  - BRIGHT DIP ANODIZED EXTRUSIONS
  - QUALIFIES AS NATATORIUM RATED
  - IF INSTALLED IN A NATATORIUM, LUX RECOMMENDS STAINLESS STEEL MOUNTS.

- MFHB-HANGING BRACKETS:
  - MILL FINISH HANGING BRACKETS
  - BRIGHT DIP ANODIZED EXTRUSIONS

- CC-CUSTOM COLOR:
  - 2MIL NATATORIUM-GRADE POWDERCOATED COMPONENTS IN ANY COLOR.
  - PLEASE SPECIFY RAL NUMBER AND COMPONENTS TO BE FINISHED WHEN ORDERING.

### LENS PERFORMANCE DATA

- NL (NO LENS) - NOMINAL, NO LIGHT LOSS
- CAX (CLEAR ACRYLIC) - 9% LIGHT LOSS
- WAX (WHITE/FROSTED ACRYLIC) - 16% LIGHT LOSS
- CPX (CLEAR POLYCARBONATE) - 14% LIGHT LOSS
- WPX (WHITE/FROSTED POLYCARBONATE) - 22% LIGHT LOSS

### CORD DATA

- 3 WIRE - SINGLE LEG ON/OFF SWITCH
- 4 WIRE - DUAL LEG SWITCH, OR SINGLE SWITCH WITH EMERGENCY BATTERY
- 5 WIRE - SINGLE LEG SWITCH WITH DIMMING
- 6 WIRE - DUAL LEG SWITCH WITH DIMMING OR SINGLE SWITCH WITH EMERGENCY BATTERY

### CHANNEL ACCESS

- TOP - FIXTURE CHANNEL ACCESSIBLE FROM ABOVE, NOT AVAILABLE ON SURFACE MOUNTS.
- BOTTOM - FIXTURE CHANNEL ACCESSIBLE FROM BELOW.

## PHOTOMETRIC DATA LUX-IK10P-L-2-SA-HO3-850-2-U10-CA2

### LUMEN OUTPUT TABLE

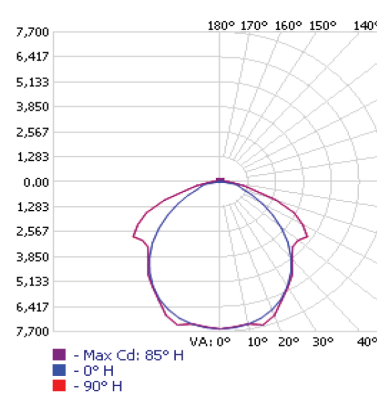
80+ CRI STANDARD

Lens	5000K	4000K	3500K	3000K
NL (No Lens)	24,620	23,635	23,143	22,650
CAx (Clear Acrylic)	22,404	21,508	21,060	20,612
WAx (White Acrylic)	20,681	19,854	19,440	19,026
CPx (Clear Polycarbonate)	21,173	20,326	19,903	19,479
WPx (White Polycarbonate)	19,204	18,435	18,051	17,667

### ZONAL LUMEN SUMMARY

Zone	Lumens	%Fixt
0-20	2,781	12.30%
0-30	5,894	26.00%
0-40	9,503	42.00%
0-60	16,514	73.00%
0-80	20,922	92.40%
0-90	21,550	95.20%
10-90	20,839	92.10%
20-40	6,722	29.70%
20-50	10,321	45.60%
40-70	9,829	43.40%
60-80	4,407	19.50%
70-80	1,590	7.00%
80-90	629	2.80%
90-110	399	1.80%
90-120	552	2.40%
90-130	713	3.20%
90-150	969	4.30%
90-180	1,082	4.80%
110-180	682	3.00%
0-180	22,632	100.00%

### POLAR CANDELA GRAPH



### LEGEND:

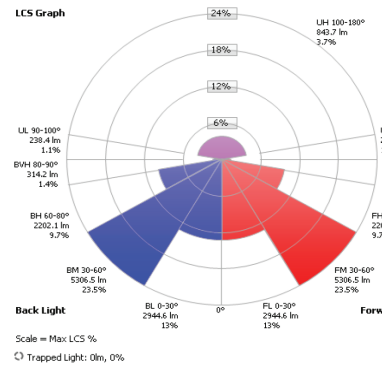
MAXIMUM CANDELA = 7623  
LOCATED AT:  
HORIZONTAL ANGLE = 0,  
VERTICAL ANGLE = 0

#1: VERTICAL PLANE  
THROUGH HORIZONTAL  
ANGLES (0 - 180)  
(THROUGH MAX. CD.)

#2: VERTICAL PLANE  
THROUGH HORIZONTAL  
ANGLES (90 - 270)

#3: HORIZONTAL CONE  
THROUGH VERTICAL ANGLE  
(0) (THROUGH MAX. CD.)

### LCS GRAPH



**FRONT:**  
LOW=2946.8  
MEDIUM=5310.4  
HIGH=2203.7  
VERY HIGH=314.3

**BACK:**  
LOW=2946.8  
MEDIUM=5310.4  
HIGH=2203.7  
VERY HIGH=314.3

**UPLIGHT:**  
LOW=238.4  
HIGH=843.4

**BUG RATING:**  
B4-U4-G3

### COEFFICIENTS OF UTILIZATION - ZONAL CAVITY METHOD

EFFECTIVE FLOOR CAVITY REFLECTANCE: 20%

RC	80				70				50				40				10				0			
	RW	70	50	30	10	70	50	30	10	50	30	10	50	30	10	50	30	10	50	30	10	0		
0	1.18	1.18	1.18	1.18	1.15	1.15	1.15	1.15	1.08	1.08	1.08	1.03	1.03	1.03	.98	.98	.98	.98	.98	.98	.98	.95		
1	1.07	1.02	.98	.94	1.04	.99	.95	.92	.94	.91	.88	.90	.87	.84	.85	.83	.81	.79	.79	.79	.79	.79		
2	.97	.89	.82	.76	.94	.86	.80	.75	.82	.77	.72	.78	.74	.70	.74	.71	.68	.65	.65	.65	.65	.65		
3	.89	.78	.70	.63	.86	.76	.68	.62	.72	.66	.60	.69	.63	.59	.66	.61	.57	.55	.55	.55	.55	.55		
4	.81	.69	.60	.53	.78	.67	.59	.53	.64	.57	.51	.61	.55	.50	.58	.53	.49	.47	.47	.47	.47	.47		
5	.74	.61	.52	.46	.72	.60	.52	.45	.57	.50	.44	.55	.48	.43	.53	.47	.42	.40	.40	.40	.40	.40		
6	.69	.55	.46	.40	.66	.54	.46	.40	.52	.44	.39	.50	.43	.38	.48	.42	.37	.35	.35	.35	.35	.35		
7	.64	.50	.41	.35	.62	.49	.41	.35	.47	.40	.34	.45	.39	.34	.44	.38	.33	.31	.31	.31	.31	.31		
8	.59	.46	.37	.31	.57	.45	.37	.31	.43	.36	.31	.42	.35	.30	.40	.34	.30	.28	.28	.28	.28	.28		
9	.55	.42	.34	.28	.54	.41	.33	.28	.40	.33	.28	.38	.32	.27	.37	.31	.27	.25	.25	.25	.25	.25		
10	.52	.39	.31	.26	.50	.38	.31	.25	.37	.30	.25	.36	.29	.25	.34	.29	.24	.23	.23	.23	.23	.23		

### OPTION DATA

CONTACT FACTORY FOR DETAILED SPECIFICATIONS OF EACH OPTION. CONTACT FACTORY FOR USE IN 347/480V APPLICATIONS.

DAYLIGHT HARVESTING & OCCUPANCY SENSOR	
CONTROL TYPE	PIR/PHOTOCELL 1-10v
AMBIENT TEMPERATURE	5°C TO 55°C
MOUNTING HEIGHT	8' TO 40'

OCCUPANCY SENSOR - ON/OFF	
CONTROL TYPE	PIR LINE VOLTAGE
AMBIENT TEMPERATURE	-10°C TO 60°C, LOW TEMP OPTION AVAILABLE
MOUNTING HEIGHT	15' TO 40'

WIRELESS CONTROL MODULE
CONTACT FACTORY FOR WIRELESS CONTROL/SENSOR OPTIONS

EMERGENCY BATTERY 10-WATT	
APPROX. LUMEN OUTPUT	1,360 LUMENS WITH CA LENS AND 5000K
AMBIENT TEMPERATURE	0°C TO 55°C
ILLUMINATION TIME	90 MINUTES

EMERGENCY BATTERY 15-WATT	
APPROX. LUMEN OUTPUT	2,040 LUMENS WITH CA LENS AND 5000K
AMBIENT TEMPERATURE	0°C TO 55°C
ILLUMINATION TIME	90 MINUTES

**MOUNTING DETAILS**

**CABLE MOUNTS:**



**HXX-18Y OR HXX-18Y T (AC CABLE 2-POINT)**  
 -"XX" DENOTES LENGTH IN FEET.  
 AVAILABLE IN 10', 20', 30'  
 -"T" AT END OF PART NUMBER  
 DENOTES TOGGLE INSTEAD OF HOOK



**H4PXX (AC CABLE 4-POINT)**  
 -"XX" DENOTES LENGTH IN FEET.  
 AVAILABLE IN 10', 20', 30'  
 -"SS" AT END OF PART NUMBER  
 DENOTES NATATORIUM GRADE 316 STAINLESS STEEL.  
 RECOMMENDED FOR NATATORIUM APPLICATIONS

**PENDANT MOUNT:**



**SPM (SINGLE POINT MOUNT)**  
 -3/4" IP THREADED HUB, SUSPENDED JUNCTION BOX  
 -FIXED LENGTH (3' OR 5') AIRCRAFT CABLE HANGERS  
 PROVIDED WITH HOOK ENDS.  
 -POWER CORD ORDERED SEPARATELY

**MYER'S HUB PENDANT MOUNTS:**

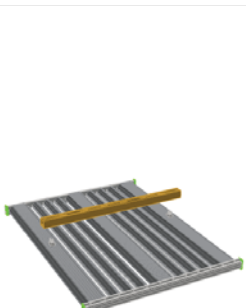


**MH1P (MYERS HUB 1 POINT)**  
 -(1) 3/4" IP THREADED HUB PROVIDED  
 -OTHER HUB DIAMETERS ARE AVAILABLE, CONTACT FACTORY  
 -MACHINED MOUNTING POINT IN FIXTURE CENTER PROVIDED  
 -STEM/THREADED ROD NOT PROVIDED  
 -NOT AVAILABLE ON ALL MODELS AND OPTIONS,  
 CONTACT FACTORY FOR DETAILS.

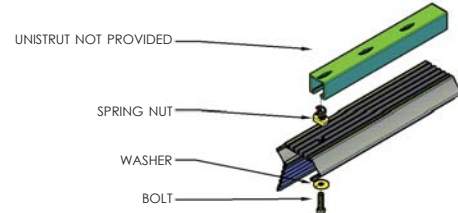

**SURFACE MOUNTS:**



**SM (SURFACE MOUNT)**  
 -NO ADDITIONAL HANGING HARDWARE PROVIDED  
 -FIXTURE MAY BE ANCHORED TO ANY SUITABLE SUBSTRATE  
 THROUGH ELECTRONICS CHANNEL



**UH2 (UNISTRUT HARDWARE, 2 POINT)**  
 -UNISTRUT HARDWARE INCLUDES SPRING-NUT AND BOLT  
 -2 SETS WILL BE PROVIDED

**UH4 (UNISTRUT HARDWARE, 4 POINT)**  
 -UNISTRUT HARDWARE INCLUDES SPRING-NUT AND BOLT  
 -4 SETS WILL BE PROVIDED

