

PROJECT NAME:

TYPE:

NOTES:

IK10 PLUS HIGH EFFICACY SERIES

HIGH-BAY LED LUMINAIRE SPECIALIZING IN HIGH-ABUSE APPLICATIONS. INTENDED FOR GYMNASIUMS, NATATORIUMS, MANUFACTURING AND INDUSTRIAL FACILITIES, WAREHOUSES, CONVENTION CENTERS AND OTHER HIGH-CEILING APPLICATIONS.

OPTICS:

- WIDE 120° BEAM ANGLE FOR MAXIMUM UNIFORMITY
- DIFFUSE LENSING AVAILABLE IN CLEAR AND WHITE
- OPTIONAL POLYCARBONATE OR ACRYLIC LENSES
- WRAP-AROUND LENS OFFERS UP TO 10% UPLIGHT
- LED BARS ARE ROTATABLE FOR CUSTOM LIGHT DISTRIBUTION
- OPTIONAL NARROW REFLECTOR FOR AISLE APPLICATIONS

MECHANICAL:

- EXCEEDS IMPACT RATING OF IK10
- EXTRUDED ALUMINUM CONSTRUCTION
- STAINLESS STEEL HARDWARE
- ISOLATED DRIVER CHANNELS
- THERMALLY INDEPENDENT HEAT SINK LED BARS
- BRIGHT DIP ANODIZED FOR CORROSION RESISTANCE
- AMBIENT TEMPERATURE RATING:
-40°F TO 150°F, -40°C TO 65.5°C

COMPONENTS:

- HIGH-OUTPUT SAMSUNG LED CHIPS
- HIGH-TEMP OSRAM DRIVERS

INSTALLATION:

- AIRCRAFT CABLE SUSPENSION
- SURFACE MOUNTING
- RIGID PENDANT
- CUSTOM MOUNTS AVAILABLE, CONTACT FACTORY



PERFORMANCE:

- 45,730 NOMINAL LUMENS (5000K, NO LENS)
- 272 WATTS
- 168 LUMENS PER WATT
- TM-21: L₇₀ >72,000 HOURS
- CALCULATED L₇₀ >184,000 HOURS SPACING

ELECTRICAL:

- 120-277VAC STANDARD / 347-480VAC OPTIONAL
- 0-10V, 10% DIMMING DRIVERS STANDARD

WARRANTY:

- 10-YEAR WARRANTY ON FIXTURE BODY
- 5-YEAR WARRANTY ON ELECTRONICS
- FOR SPECIAL REQUESTS, CONTACT FACTORY

FIXTURE DIMENSIONS:

- 24" L x (33-45)" W x 2.5" H
- 17-23LBS SEE ASSEMBLY CONFIGURATIONS BELOW

LISTINGS AND RATINGS:

- UL 1598 FOR DRY, DAMP, WET, AND CANOPY LOCATIONS
- ARRA COMPLIANT (MADE IN AMERICA)
- IP 56 RATED
- UL EPH LISTED - NSF RATED
- DLC PREMIUM LISTED
- 3G VIBRATION RATING



LUX IK10P E 7 H03 2'

MFR	SERIES	OUTPUT	NUMBER OF BARS	ELECTRONIC CHANNELS	ASSEMBLY CONFIG.	MODULE	CRI CCT	LENGTH	VOLTAGE DIMMING	LENS	NARROW OPTICS	CORD	CONTROLS	EMERGENCY BACKUP	CHANNEL ACCESS	BAR AIMING	FINISH	MOUNTING	APPLI-CATION	CUSTOM FIXTURE OUTPUT
LUX	IK10+	E-HIGH EFFICACY	7	S -SINGLE D -DOUBLE T -TRIPLE Q -QUAD	A B C D E F G	HIGH OUTPUT GEN. 3	850 840 835 830	2'	120-277V U10 10% dim U1 1% dim UX no dimming 347-480V H10 10% dim H1 1% dim HX no dimming	NL CA2 WA2 CP2 WP2	NRW SECONDARY NARROW OPTIC MAY BE USED ON SOME OR ALL BARS OF FIXTURE. IF MIXED DISTRIBUTION IS REQUIRED, PLEASE COORDINATE WITH FACTORY TO SPECIFY	3/10 4/10 5/10 6/10 WIRES 3 TO 6 LENGTH 10', 15', 20', 30'	DLH DAYLIGHT SENSOR OCC OCCUPANCY SENSOR D/O DAYLIGHT AND OCCUPANCY WCM WIRELESS CONTROL	EM 10 10W BATTERY EM 15 15W BATTERY	TOP BOT	DIR 0°NADIR IND 180°NADIR CLD CUSTOM LIGHT DISTRIBUTION COORDINATE WITH FACTORY FOR ALL CLD ORDERS.	STND MFHB CC END CAP CHANNEL LID HANGING BRACKETS BAR	CABLE: H4P10 H4P10SS PENDANT: MH1P MH2P SPM SURFACE: SM UH2 UH4 SEE MOUNTING DETAILS (PG2) FOR AVAILABLE OPTIONS	ARCH AFH GEN GYM HNG ICE MFG NAT TC WHS	PLEASE NOTE DELIVERED LUMENS ABOVE

CRI PERFORMANCE DATA
80 CRI - STANDARD/NOMINAL
90 CRI - 6% LIGHT LOSS
OTHER CRI AVAILABLE, CONTACT FACTORY

CCT PERFORMANCE DATA
5000K - STANDARD/NOMINAL
4000K - 4% LIGHT LOSS
3500K - 6% LIGHT LOSS
3000K - 8% LIGHT LOSS
OTHER CCT AVAILABLE, CONTACT FACTORY

LENS PERFORMANCE DATA
NL (No Lens) - NOMINAL, NO LIGHT LOSS
CAx (CLEAR ACRYLIC) - 9% LIGHT LOSS
WAx (WHITE/FROSTED ACRYLIC) - 16% LIGHT LOSS
CPx (CLEAR POLYCARBONATE) - 14% LIGHT LOSS
WPx (WHITE/FROSTED POLYCARBONATE) - 22% LIGHT LOSS

CHANNEL AND ASSEMBLY CONFIGURATION:

DA 33"W, 17LBS
 DB 33"W, 17LBS
 DC 33"W, 17LBS
 QA 45"W, 23LBS
 QC 45"W, 23LBS
 QG 45"W, 23LBS
 QI 45"W, 23LBS

CUSTOM CONFIGURATIONS AVAILABLE, CONTACT FACTORY

CORD DATA
3 WIRE - SINGLE LEG ON/OFF SWITCH
4 WIRE - DUAL LEG SWITCH, OR SINGLE SWITCH WITH EMERGENCY BATTERY
5 WIRE - SINGLE LEG SWITCH WITH DIMMING
6 WIRE - DUAL LEG SWITCH WITH DIMMING OR SINGLE SWITCH WITH EMERGENCY BATTERY

APPLICATION TYPE:
ARCH - ARCHITECTURAL
AFH - ARENA/FIELDHOUSE
GEN - GENERAL
GYM - GYMNASIUM
HNG - HANGAR
ICE - ICE RINK
MFG - MANUFACTURING
NAT - NATATORIUM
TC - TENNIS COURT
WHS - WAREHOUSE

CHANNEL ACCESS
TOP - FIXTURE CHANNEL ACCESSIBLE FROM ABOVE, NOT AVAILABLE ON SURFACE MOUNTS.
BOTTOM - FIXTURE CHANNEL ACCESSIBLE FROM BELOW.

FIXTURE "FINISH" DETAILS
STND-STANDARD:
-LUX GREEN HANGING BRACKETS
-BRIGHT DIP ANODIZED EXTRUSIONS
-QUALIFIES AS NATATORIUM RATED
-IF INSTALLED IN A NATATORIUM, LUX RECOMMENDS STAINLESS STEEL MOUNTS.
MFHB-HANGING BRACKETS:
-MILL FINISH HANGING BRACKETS
-BRIGHT DIP ANODIZED EXTRUSIONS
CC-CUSTOM COLOR:
-2MIL NATATORIUM-GRADE POWDERCOATED COMPONENTS IN ANY COLOR.
-PLEASE SPECIFY RAL NUMBER AND COMPONENTS TO BE FINISHED WHEN ORDERING.

PHOTOMETRIC DATA

LUX-IK10P-E-7-DA-HO3-850-2-U10-CA2

LUMEN OUTPUT TABLE

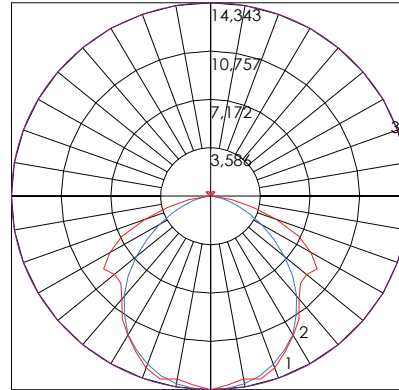
80+ CRI STANDARD

Lens	5000K	4000K	3500K	3000K
NL (No Lens)	45,730	43,901	42,986	42,072
CAx (Clear Acrylic)	41,614	39,950	39,117	38,285
WAx (White Acrylic)	38,413	36,877	36,108	35,340
CPx (Clear Polycarbonate)	39,328	37,755	36,968	36,182
WPx (White Polycarbonate)	35,669	34,243	33,529	32,816

ZONAL LUMEN SUMMARY

Zone	Lumens	%Fixt
0-20	5,214	12.40%
0-30	11,060	26.30%
0-40	17,918	42.60%
0-60	31,372	74.60%
0-80	39,793	94.70%
0-90	40,590	96.60%
10-90	39,245	93.40%
20-40	12,705	30.20%
20-50	19,602	46.60%
40-70	18,825	44.80%
60-80	8,421	20.00%
70-80	3,050	7.30%
80-90	797	1.90%
90-110	158	0.40%
90-120	316	0.80%
90-130	588	1.40%
90-150	1,185	2.80%
90-180	1,450	3.40%
110-180	1,291	3.10%
0-180	42,039	100.00%

POLAR CANDELA GRAPH



LEGEND:

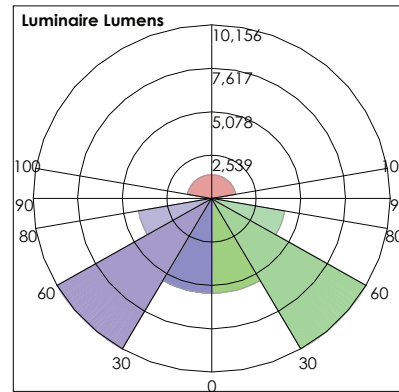
MAXIMUM CANDELA = 14343
LOCATED AT:
HORIZONTAL ANGLE = 0,
VERTICAL ANGLE = 0

#1: VERTICAL PLANE
THROUGH HORIZONTAL
ANGLES (0 - 180)
(THROUGH MAX. CD.)

#2: VERTICAL PLANE
THROUGH HORIZONTAL
ANGLES (90 - 270)

#3: HORIZONTAL CONE
THROUGH VERTICAL ANGLE
(0) (THROUGH MAX. CD.)

LCS GRAPH



FRONT:
LOW=5529.9
MEDIUM=10156.2
HIGH=4210.6
VERY HIGH=398.3

BACK:
LOW=5529.9
MEDIUM=10156.2
HIGH=4210.6
VERY HIGH=398.3

UPLIGHT:
LOW=70.9
HIGH=1378.7

BUG RATING:
B5-U5-G3

COEFFICIENTS OF UTILIZATION - ZONAL CAVITY METHOD

EFFECTIVE FLOOR CAVITY REFLECTANCE: 20%

RC	80				70				50				40				10				0
	RW	70	50	30	10	70	50	30	10	50	30	10	50	30	10	50	30	10	0		
0	1.18	1.18	1.18	1.18	1.15	1.15	1.15	1.15	1.09	1.09	1.09	1.04	1.04	1.04	.99	.99	.99	.97	.97		
1	1.08	1.03	.99	.95	1.05	1.00	.96	.93	.95	.92	.89	.91	.88	.86	.87	.85	.83	.80	.80		
2	.98	.89	.82	.77	.95	.87	.81	.75	.83	.78	.73	.79	.75	.71	.76	.72	.69	.67	.67		
3	.89	.78	.70	.63	.86	.76	.69	.63	.73	.66	.61	.70	.64	.60	.67	.62	.58	.56	.56		
4	.81	.69	.60	.54	.79	.68	.59	.53	.65	.58	.52	.62	.56	.51	.59	.54	.50	.48	.48		
5	.75	.62	.53	.46	.72	.60	.52	.46	.58	.51	.45	.56	.49	.44	.53	.48	.43	.41	.41		
6	.69	.56	.47	.40	.67	.54	.46	.40	.52	.45	.39	.50	.44	.39	.48	.43	.38	.36	.36		
7	.64	.50	.42	.35	.62	.49	.41	.35	.48	.40	.35	.46	.39	.34	.44	.38	.34	.32	.32		
8	.60	.46	.37	.32	.58	.45	.37	.31	.44	.36	.31	.42	.35	.31	.41	.35	.30	.28	.28		
9	.56	.42	.34	.28	.54	.41	.34	.28	.40	.33	.28	.39	.32	.28	.37	.32	.27	.25	.25		
10	.52	.39	.31	.26	.51	.38	.31	.26	.37	.30	.25	.36	.30	.25	.35	.29	.25	.23	.23		

OPTION DATA

CONTACT FACTORY FOR DETAILED SPECIFICATIONS OF EACH OPTION. CONTACT FACTORY FOR USE IN 347/480V APPLICATIONS.

DAYLIGHT HARVESTING & OCCUPANCY SENSOR	
CONTROL TYPE	PIR/PHOTOCELL 1-10v
AMBIENT TEMPERATURE	5°C TO 55°C
MOUNTING HEIGHT	8' TO 40'

OCCUPANCY SENSOR - ON/OFF	
CONTROL TYPE	PIR LINE VOLTAGE
AMBIENT TEMPERATURE	-10°C TO 60°C, LOW TEMP OPTION AVAILABLE
MOUNTING HEIGHT	15' TO 40'

WIRELESS CONTROL MODULE	
CONTACT FACTORY FOR WIRELESS CONTROL/SENSOR OPTIONS	

EMERGENCY BATTERY 10-WATT	
APPROX. LUMEN OUTPUT	1,360 LUMENS WITH CA LENS AND 5000K
AMBIENT TEMPERATURE	0°C TO 55°C
ILLUMINATION TIME	90 MINUTES

EMERGENCY BATTERY 15-WATT	
APPROX. LUMEN OUTPUT	2,040 LUMENS WITH CA LENS AND 5000K
AMBIENT TEMPERATURE	0°C TO 55°C
ILLUMINATION TIME	90 MINUTES

MOUNTING DETAILS

CABLE MOUNTS:



HXX-18Y OR HXX-18Y T (AC CABLE 2-POINT)
 -"XX" DENOTES LENGTH IN FEET.
 AVAILABLE IN 10', 20', 30'
 -"T" AT END OF PART NUMBER
 DENOTES TOGGLE INSTEAD OF HOOK



H4PXX (AC CABLE 4-POINT)
 -"XX" DENOTES LENGTH IN FEET.
 AVAILABLE IN 10', 20', 30'
 -"SS" AT END OF PART NUMBER
 DENOTES NATATORIUM GRADE 316 STAINLESS STEEL.
 RECOMMENDED FOR NATATORIUM APPLICATIONS

PENDANT MOUNT:



SPM (SINGLE POINT MOUNT)
 -3/4" IP THREADED HUB, SUSPENDED JUNCTION BOX
 -FIXED LENGTH (3' OR 5') AIRCRAFT CABLE HANGERS
 PROVIDED WITH HOOK ENDS.
 -POWER CORD ORDERED SEPARATELY

MYER'S HUB PENDANT MOUNTS:

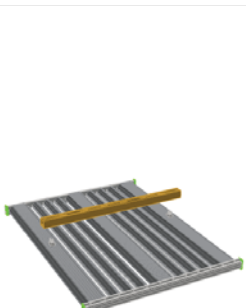


MH1P (MYERS HUB 1 POINT)
 -(1) 3/4" IP THREADED HUB PROVIDED
 -OTHER HUB DIAMETERS ARE AVAILABLE, CONTACT FACTORY
 -MACHINED MOUNTING POINT IN FIXTURE CENTER PROVIDED
 -STEM/THREADED ROD NOT PROVIDED
 -NOT AVAILABLE ON ALL MODELS AND OPTIONS,
 CONTACT FACTORY FOR DETAILS.

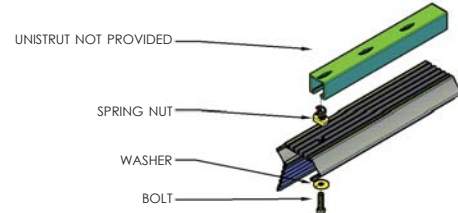

SURFACE MOUNTS:



SM (SURFACE MOUNT)
 -NO ADDITIONAL HANGING HARDWARE PROVIDED
 -FIXTURE MAY BE ANCHORED TO ANY SUITABLE SUBSTRATE
 THROUGH ELECTRONICS CHANNEL



UH2 (UNISTRUT HARDWARE, 2 POINT)
 -UNISTRUT HARDWARE INCLUDES SPRING-NUT AND BOLT
 -2 SETS WILL BE PROVIDED

UH4 (UNISTRUT HARDWARE, 4 POINT)
 -UNISTRUT HARDWARE INCLUDES SPRING-NUT AND BOLT
 -4 SETS WILL BE PROVIDED

