



Brilliant design and intuitive engineering fearlessly combine to deliver unprecedented performance. **BoldPlay's** striking contrast of effortless style and urban edginess makes a distinctive statement in any space. Available tunable white technology gives you the ability to vary color temperature and intensity, harmonizing lighting with your daily life.

Project: \_\_\_\_\_  
 Location: \_\_\_\_\_  
 Cat. No: \_\_\_\_\_  
 Type: \_\_\_\_\_  
 Line ID: \_\_\_\_\_ Qty: \_\_\_\_\_  
 Notes: \_\_\_\_\_

Ordering guide – Standard

example: 7806LBCQN087DEW, A3-96

Family	Source	CRI/CCT <sup>1</sup>	Lumens <sup>1</sup>	Optics	Distribution	Run Length	Wiring <sup>2</sup>
<b>7806</b>	<b>L</b>			<b>Q</b>			
<b>7806</b> BoldPlay Suspended	<b>L</b> LED	<b>A</b> 80CRI/4000K <b>B</b> 80CRI/3500K <b>C</b> 80CRI/3000K	<b>A</b> 6500 lm/4ft <b>C</b> 4600 lm/4ft <b>E</b> 3400 lm/4ft	<b>Q</b> MesoOptics Lens	<b>N</b> Lightguide <b>D</b> 55% Down Kit <b>G</b> 80% Down Kit <b>J</b> 100% Down Kit	<b>04</b> 4ft <b>08</b> 8ft <b>xx</b> Continuous Run (4ft increments)	<b>7</b> 1cct Dimming <b>E</b> 2cct A/B Dimming (Alt. 4ft sections) <b>M</b> 1cct Dimming + Aux. Wiring <b>N</b> 1cct Dimming + Battery Pack
Voltage	Driver	Finish	Options	Sensor	Mount Type	Suspension	
<b>D</b> UNV 120-277V <b>3</b> 347V	<b>E</b> Advance 0-10V (1% Dim)	<b>W</b> Standard White <b>T</b> Titanium Silver <b>B</b> Black <b>C</b> Custom			<b>A1</b> Non-accessible ceiling, 0°-15° Slope Mount <b>A2</b> T-grid Fixed Position Mount <b>A3</b> Non-accessible ceiling, 0°-90° Slope Mount <b>A5</b> T-grid 24" Span Mount (non tegular tile only) <b>A6-1</b> T-grid On-grid Mount 15/16" (non tegular tile only) <b>A6-2</b> T-grid On-grid Mount 9/16" (non tegular tile only) <b>A6-3</b> T-grid On-grid Mount 9/16" x 5/16" (slot tee & tegular tile)	<b>24</b> 24" <b>48</b> 48" <b>96</b> 96" <b>144</b> 144"	
<b>D</b> UNV 120-277V	<b>S</b> Advance Sensor Ready (5% Dim)		<b>N</b> No Option	<b>SZ</b> SpaceWise DT Daylight + Occupancy			

1. Nominal values within a range. Down kits reduce optical efficiency. Consult photometry data for CRI, color temp, lumens & distribution of chosen configuration.  
 2. Not all wiring types are available with all configurations. Consult Ledalite for a complete list of available options.

Standalone controls

SpaceWise DT

- Suspended version available with SpaceWise DT Daylight & Occupancy sensing with advanced grouping & dwell time.
- Dimming with compatible Zigbee wireless wall switches.

[www.usa.lighting.philips.com/systems/lighting-systems/spacewise](http://www.usa.lighting.philips.com/systems/lighting-systems/spacewise)

See p. 2 for Connected & IoT product offerings.



# BoldPlay linear suspended

## Ordering guide – Connected systems

example: 7806L2CQD047LPWNIO, A2-48

Family	Source	CRI/CCT <sup>1</sup>	Lumens <sup>1</sup>	Optics	Distribution	Run Length	Wiring <sup>2</sup>
<b>7806</b>	<b>L</b>			<b>Q</b>			
<b>7806</b> BoldPlay Suspended	<b>L</b> LED	<b>A</b> 80CRI/4000K <b>B</b> 80CRI/3500K <b>C</b> 80CRI/3000K <b>2</b> 2-channel Tunable White 80CRI/2700-6500K	<b>C</b> 4600 lm/4ft <b>E</b> 3400 lm/4ft	<b>Q</b> MesoOptics lens	<b>N</b> Lightguide <b>D</b> 55% Down Kit <b>G</b> 80% Down Kit <b>J</b> 100% Down Kit	<b>04</b> 4ft <b>08</b> 8ft <b>xx</b> Continuous Run (4ft increments)	<b>7</b> 1cct Dimming <b>N</b> 1cct Dimming + Battery Pack
Voltage	Driver	Finish	Option	System/Controls <sup>2,3</sup>	Mount Type	Suspension <sup>4</sup>	
<b>D</b> UNV120-277V	<b>S</b> Advance Sensor Ready (5% Dim)	<b>W</b> Standard White <b>T</b> Titanium Silver	<b>N</b> No Option	<b>IP</b> Interact Pro	<b>A1</b> Non-accessible ceiling, 0°-15° Slope Mount	<b>24</b> 24"	
<b>L</b> Low Voltage (48-54V DC)	<b>P</b> PoE Lighting Controller	<b>B</b> Black <b>C</b> Custom		<b>IO</b> Interact Office Wired (PoE) with Daylight and Occupancy	<b>A2</b> T-grid Fixed Position Mount	<b>48</b> 48"	
<b>L</b> Low Voltage (48-54V DC)	<b>P</b> PoE Lighting Controller				<b>A3</b> Non-accessible ceiling, 0°-90° Slope Mount	<b>96</b> 96"	
<b>D</b> UNV120-277V	<b>D</b> Advance DALI (5% Dim)				<b>A5</b> T-grid 24" Span Mount (non regular tile only)	<b>144</b> 144"	
					<b>A6-1</b> T-grid On-grid Mount 15/16" (non regular tile only)		
					<b>A6-2</b> T-grid On-grid Mount 9/16" (non regular tile only)		
					<b>A6-3</b> T-grid On-grid Mount 9/16" x 5/16" (slot tee & regular tile)		

Note: Options with the same color coding must be paired together.

- Nominal values within a range. Down kits reduce optical efficiency. Consult photometry data for CRI, color temp, lumens & distribution of chosen configuration.
- Not all wiring types or sensors are available with all configurations. Consult Ledalite for a complete list of available options.
- Sensors only available in white, sensors can be combined with any luminaire finish.
- For PoE, the CAT5/CAT6 cable to be provided by others. Specifier should coordinate the desired cable color with the contractor.

## Connected systems

### Interact Pro

- A wireless IoT connected lighting solution for small and medium-sized businesses.
- Commissioning via Android or iOS mobile device and Interact Pro app.
- Compatible Zigbee Green Power wall dimmer and wireless Occupancy or Daylight & Occupancy sensors available.
- Open APIs for light control and data exchange.

[www.interact-lighting.com/pro](http://www.interact-lighting.com/pro)

### Tunable White with DALI

- Signify tunable white solutions are designed to help maximize the influence of lighting on your daily life.
- Dynamic behaviors via scheduled lighting recipes mimicking daylight patterns or supporting biorhythms.
- Scene setting via lighting pre-sets based on various combinations of lighting color temperature and intensity.

[www.usa.lighting.philips.com/products/product-highlights/tunable-white-technology](http://www.usa.lighting.philips.com/products/product-highlights/tunable-white-technology)

### Interact Office Wired (PoE), Static White & Tunable White

- PoE based IoT connected lighting solution for large enterprises that span across multiple floors, buildings and require multiple gateways.
- Use Interact Office software and insights to increase building efficiency, achieve building wide integration and optimize space through occupancy analytics.
- Human centric lighting through tunable white technology - Dynamic behaviors via scheduled lighting recipes mimicking daylight patterns or supporting biorhythms.
- Supports advanced IoT Apps on Personal Control, Space Management, wayfinding, room/desk reservation and offers open APIs for light control and data exchange.

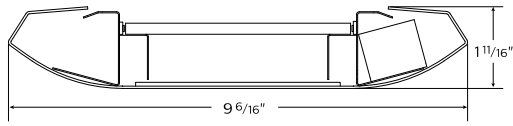
[www.interact-lighting.com/office](http://www.interact-lighting.com/office) or [www.usa.lighting.philips.com/systems/system-areas/offices](http://www.usa.lighting.philips.com/systems/system-areas/offices)

Note: Signify Interact Office Luminaires are not sold individually and are only compatible with Signify's Interact Office control system & software. The system requires a compatible back-end IT infrastructure for normal operations, please consult your Signify representative for additional information.

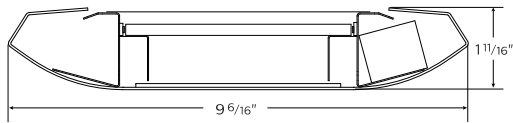
# BoldPlay linear suspended

## Cross Section View

Lightguide



With Down Kit



## Cross Section View – Endcaps

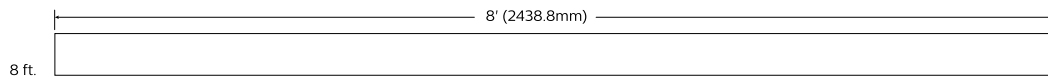
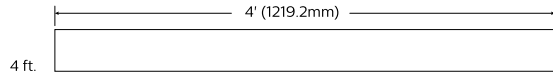
Sculpted

Solid Flat



## Module Details & Dimensions

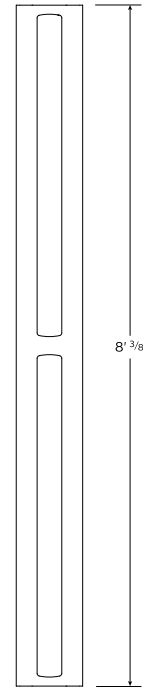
Module length excludes end caps. Nominal mounting spacing for individually mounted modules.



Note: Refer to installation instructions for exact mounting locations.

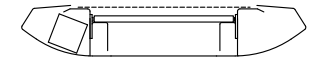
## Cross Section View – Optics Details

Lens View

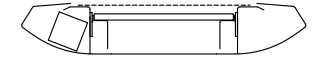


Suspended  
(without endcaps)

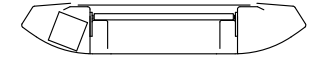
Upper Optics



D 55% Down Kit

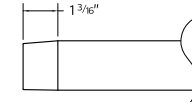


G 80% Down Kit



J 100% Down Kit

End Caps



Flat



Sculpted

# BoldPlay linear suspended

## Specifications

### Optical System

The optical system contains arrays of LEDs edge-lighting a low profile light-guide panel, using total internal reflection to homogenize the sources. The microstructured surface of the panel optimizes light extraction to create an efficacious direct/indirect distribution. Light is purified and controlled by MesoOptics film as it passes through a non-glare acrylic lens. Standard distribution is 75% up / 25% down for suspended and 65% up / 35% down for wall mount version.

### Endcaps

Die cast aluminum endcaps finished with a textured matte powder coat to match the luminaire. Available in sculpted (standard) & solid flat.

### Finish

Standard finish is a textured matte powder coat in white, black or titanium silver. Custom colors available upon request. White sensors only.

### Housing

Precision formed 18 gauge cold-rolled steel.

### Weight

Maximum: Suspended 3.75lb/ft & Wall 3.0lb/ft.

### Electrical

Factory pre-wired to section ends with quick-wire connectors.

### Standard Drivers

Advance Xitanium 0-10V, 1% dimming.

Advance Xitanium Sensor Ready, 5% dimming.

Advance DALI, 5% dimming (for tunable white with DALI).

PoE Lighting Controller (for PoE static or tunable white).

Class 2 rated output.

Consult Ledalite for other available drivers.

### Standard Battery Pack

Bodine, 90 min, 10W, Class 2 rated output, Emergency lumen output = 10W x luminaire efficacy x 1.1. Typical output: 1100lm.

### Lumen Maintenance

LEDs have been tested by the manufacturer in accordance with IESNA LM-80-08. At an ambient temperature of 25°C, the LED lumen maintenance expectation according to IES TM-21-11 is: L80 (12k) >72,000 hrs (Reported methodology).

### Source Color

LEDs rated for color rendering of:

CRI >80 & R9 >0

CRI >90 & R9 >50

Fixture to fixture color accuracy within:

2 SDCM for Static White luminaires

3 SDCM for Tunable White luminaires

### Mounting

Tamper-resistant aircraft cable gripper provides unlimited vertical adjustment. Aircraft cable, crimp and cable gripper are independently tested to meet stringent safety requirements.

### Joints

Self-aligning joining system with hands-free pre-joining wire access.

### Approvals

Certified to UL, CSA and IES standards.

### QuickShip

Available for most non-connected configurations upon request. More information available at: [www.signify.com/en-us/brands/ledalite/quickship](http://www.signify.com/en-us/brands/ledalite/quickship)

### Warranty

Signify indoor professional luminaires 5 year LED warranty:

[www.signify.com/warranties](http://www.signify.com/warranties)

### Environment

Rated for dry or damp locations in operating ambient temperatures 0-40°C (32-104°F). Certain luminaire components may be adversely affected by contaminants. Damage caused by sulfur, chlorine, petroleum based solutions or other contaminants are not covered under warranty. Not suitable for natatorium environments.

# BoldPlay linear suspended

## Photometrics

MesoOptics + Lightguide Distribution (QN)

Spacing Criteria: 1.62/1.79

(Click "PDF" and "IES" text to Download)

Lumen Package	Nominal CRI & CCT	Flux (lm)	Power <sup>1</sup> (W)	Efficacy <sup>1</sup> (LPW)	CRI	RP-1 VDT	DLC*	Photometry Report	IES File
6500 lm/4ft	80CRI, 4000K	6636	56.5	117.5	83	Critical spaces	Standard	<a href="#">PDF</a>	<a href="#">IES</a>
	80CRI, 3500K	6453	56.7	113.8	82	Critical spaces	Standard	<a href="#">PDF</a>	<a href="#">IES</a>
	80CRI, 3000K	6180	56.9	108.6	84	Critical spaces	Standard	<a href="#">PDF</a>	<a href="#">IES</a>
4600 lm/4ft	80CRI, 4000K	4739	39.2	120.9	83	Critical spaces	Standard	<a href="#">PDF</a>	<a href="#">IES</a>
	80CRI, 3500K	4608	39.4	117.0	82	Critical spaces	Standard	<a href="#">PDF</a>	<a href="#">IES</a>
	80CRI, 3000K	4412	39.5	111.7	84	Critical spaces	Standard	<a href="#">PDF</a>	<a href="#">IES</a>
3400 lm/4ft	80CRI, 4000K	3513	28.3	124.1	83	Critical spaces	Standard	<a href="#">PDF</a>	<a href="#">IES</a>
	80CRI, 3500K	3416	28.4	120.3	82	Critical spaces	Standard	<a href="#">PDF</a>	<a href="#">IES</a>
	80CRI, 3000K	3271	28.5	114.8	84	Critical spaces	Standard	<a href="#">PDF</a>	<a href="#">IES</a>

\* Luminaire configurations containing Tunable White, PoE or Battery Packs are not DLC qualified.

<sup>1</sup> For Interact Office wired (PoE) configurations, power will be lower and efficacy higher, consult factory for information.

CANDELA DISTRIBUTION						Flux
	0	22.5	45	67.5	90	Lumens
0	229	229	229	229	229	
5	230	231	233	236	236	23
15	244	250	269	288	295	77
25	261	276	320	361	378	147
35	259	274	315	350	363	193
45	206	210	221	229	232	170
55	137	135	136	140	142	124
65	81	80	82	85	88	38
75	33	34	35	36	36	38
85	6	7	7	7	8	9
90	0	0	0	0	0	
95	99	115	162	226	252	180
105	259	308	458	665	767	502
115	341	397	556	761	862	567
125	350	394	510	645	708	465
135	330	363	422	490	519	331
145	316	338	365	394	406	230
155	309	324	343	352	353	157
165	304	313	323	329	330	91
175	300	303	305	307	308	29
180	299	299	299	299	299	

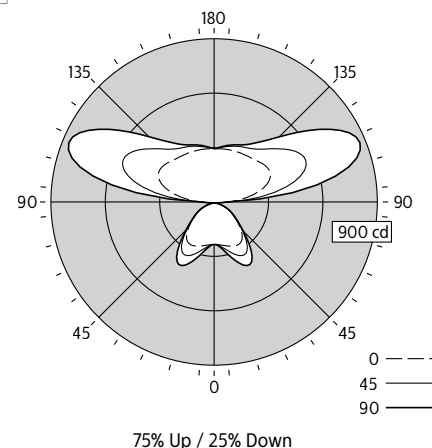
\*Photometric data shown is for 3400 lm/4ft, 3500K, 80 CRI configuration.

COEFFICIENTS OF UTILIZATION (%)													
Pc---	80				70				50				0
Pw---	70	50	30	10	70	50	30	50	30	10	0	0	
RCR	0	101	101	101	101	90	90	90	70	70	70	25	
1	92	88	85	81	82	79	76	61	59	57	22		
2	84	77	71	67	75	69	64	54	50	48	18		
3	77	68	61	56	68	61	55	47	43	40	16		
4	70	60	53	47	62	54	47	42	38	34	13		
5	64	53	46	40	57	48	41	37	33	29	12		
6	59	48	40	34	52	43	36	34	29	25	10		
7	54	43	35	30	48	38	32	30	26	22	9		
8	50	39	31	26	45	35	28	27	23	19	8		
9	47	35	28	23	42	32	25	25	20	17	7		
10	44	32	25	20	39	29	23	23	18	15	6		

ZONAL LUMEN SUMMARY			
Zone	Lumens	%Fixture	%Lamp
0-30	247	7.2%	7.2%
0-40	440	12.9%	12.9%
0-60	734	21.5%	21.5%
0-90	862	25.2%	25.2%
90-130	1715	50.2%	50.2%
90-150	2277	66.7%	66.7%
90-180	2554	74.8%	74.8%
0-180	3416	100.0%	100.0%

Electrical				
Voltage (V)	Power (W)	Current (A)	THD (%)	Power factor
120	28.4	0.238	8.0	0.994
277	28.4	0.107	11.6	0.962
347	N/A	N/A	N/A	N/A

AVG LUMINANCE (cd/m <sup>2</sup> )			
	0	45	90
0	2222	2222	2222
5	2240	2269	2299
15	2451	2702	2963
25	2794	3426	4047
35	3068	3731	4300
45	2827	3033	3184
55	2318	2301	2402
65	1860	1883	2020
75	1237	1312	1350
85	668	779	891



# BoldPlay linear suspended

## Photometrics

MesoOptics + 55% Down Kit Distribution (QD)

Spacing Criteria: 1.50/1.62

(Click "PDF" and "IES" text to Download)

Lumen Package	Nominal CRI & CCT	Flux (lm)	Watts (W)	Efficacy (LPW)	CRI	RP-1 VDT	DLC*	Photometry Report	IES File
6500 lm/4ft	80CRI, 4000K	5655	56.5	100.1	83	N/A	N/A	<a href="#">PDF</a>	<a href="#">IES</a>
	80CRI, 3500K	5499	56.7	97.0	82	N/A	N/A	<a href="#">PDF</a>	<a href="#">IES</a>
	80CRI, 3000K	5265	56.9	92.5	84	Normal spaces	N/A	<a href="#">PDF</a>	<a href="#">IES</a>
4600 lm/4ft	80CRI, 4000K	4039	39.2	103.0	83	Normal spaces	N/A	<a href="#">PDF</a>	<a href="#">IES</a>
	80CRI, 3500K	3927	39.4	99.7	82	Normal spaces	N/A	<a href="#">PDF</a>	<a href="#">IES</a>
	80CRI, 3000K	3760	39.5	95.2	84	Normal spaces	N/A	<a href="#">PDF</a>	<a href="#">IES</a>
3400 lm/4ft	80CRI, 4000K	2993	28.3	105.8	83	Critical spaces	N/A	<a href="#">PDF</a>	<a href="#">IES</a>
	80CRI, 3500K	2910	28.4	102.5	82	Critical spaces	N/A	<a href="#">PDF</a>	<a href="#">IES</a>
	80CRI, 3000K	2787	28.5	97.8	84	Critical spaces	N/A	<a href="#">PDF</a>	<a href="#">IES</a>

\* Luminaire configurations containing Tunable White, PoE or Battery Packs are not DLC qualified.

<sup>1</sup> For Interact Office wired (PoE) configurations, power will be lower and efficacy higher, consult factory for information.

CANDELA DISTRIBUTION						Flux
	0	22.5	45	67.5	90	Lumens
0	506	506	506	506	506	
5	508	509	513	516	518	50
15	525	533	564	592	601	161
25	540	560	622	679	699	285
35	512	529	580	616	628	354
45	398	396	401	402	402	310
55	260	254	252	254	256	229
65	153	152	155	159	162	154
75	63	65	66	68	68	72
85	11	13	14	15	15	16
90	0	0	0	0	0	
95	28	35	52	70	77	70
105	122	152	217	309	366	238
115	171	205	282	370	417	282
125	182	208	264	328	355	239
135	175	192	224	255	264	174
145	172	181	200	212	212	124
155	173	176	187	192	191	86
165	172	172	175	176	176	50
175	167	167	167	167	167	16
180	166	166	166	166	166	

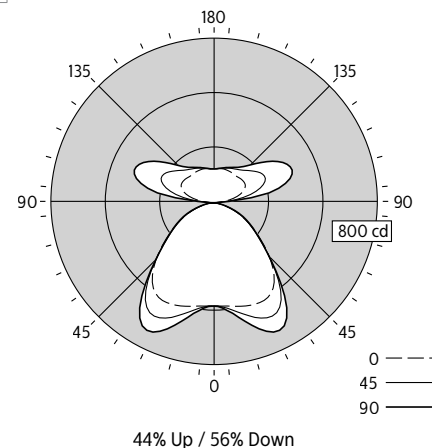
\*Photometric data shown is for 3400 lm/4ft, 3500K, 80 CRI configuration.

COEFFICIENTS OF UTILIZATION (%)													
Pc---	80				70				50				0
Pw---	70	50	30	10	70	50	30	50	30	10	0	0	
RCR													
0	109	109	109	109	101	101	101	87	87	87	56		
1	100	95	92	88	93	89	86	77	74	72	48		
2	91	84	78	73	84	78	73	68	64	60	41		
3	83	74	67	61	77	69	63	60	55	51	35		
4	76	66	58	52	71	61	55	54	48	44	30		
5	70	59	51	45	65	55	48	48	42	38	26		
6	65	53	45	39	60	49	42	43	37	33	23		
7	60	48	40	34	56	45	38	39	33	29	21		
8	55	43	35	30	52	41	34	36	30	26	18		
9	52	39	32	27	48	37	30	33	27	23	17		
10	48	36	29	24	45	34	27	30	25	21	15		

ZONAL LUMEN SUMMARY			
Zone	Lumens	%Fixture	%Lamp
0-30	495	17.0%	17.0%
0-40	850	29.2%	29.2%
0-60	1389	47.7%	47.7%
0-90	1631	56.1%	56.1%
90-130	830	28.5%	28.5%
90-150	1127	38.7%	38.7%
90-180	1278	43.9%	43.9%
0-180	2910	100.0%	100.0%

Electrical				
Voltage (V)	Power (W)	Current (A)	THD (%)	Power factor
120	28.4	0.238	8.0	0.994
277	28.4	0.107	11.6	0.962
347	N/A	N/A	N/A	N/A

AVG LUMINANCE (cd/m <sup>2</sup> )			
	0	45	90
0	4913	4913	4913
5	4952	4993	5044
15	5275	5663	6041
25	5779	6662	7489
35	6059	6876	7445
45	5458	5501	5515
55	4398	4256	4327
65	3523	3547	3715
75	2348	2466	2544
85	1278	1511	1627



# BoldPlay linear suspended

## Photometrics

MesoOptics + 80% Down Kit Distribution (QG)

Spacing Criteria: 117/117

(Click "PDF" and "IES" text to Download)

Lumen Package	Nominal CRI & CCT	Flux (lm)	Watts (W)	Efficacy (LPW)	CRI	RP-1 VDT	DLC*	Photometry Report	IES File
6500 lm/4ft	80CRI, 4000K	5232	56.5	92.6	83	N/A	N/A	<a href="#">PDF</a>	<a href="#">IES</a>
	80CRI, 3500K	5087	56.7	89.7	82	N/A	N/A	<a href="#">PDF</a>	<a href="#">IES</a>
	80CRI, 3000K	4871	56.9	85.6	84	N/A	N/A	<a href="#">PDF</a>	<a href="#">IES</a>
4600 lm/4ft	80CRI, 4000K	3736	39.2	95.3	83	Normal spaces	N/A	<a href="#">PDF</a>	<a href="#">IES</a>
	80CRI, 3500K	3633	39.4	92.2	82	Normal spaces	N/A	<a href="#">PDF</a>	<a href="#">IES</a>
	80CRI, 3000K	3478	39.5	88.1	84	Normal spaces	N/A	<a href="#">PDF</a>	<a href="#">IES</a>
3400 lm/4ft	80CRI, 4000K	2769	28.3	97.8	83	Normal spaces	N/A	<a href="#">PDF</a>	<a href="#">IES</a>
	80CRI, 3500K	2692	28.4	94.8	82	Normal spaces	N/A	<a href="#">PDF</a>	<a href="#">IES</a>
	80CRI, 3000K	2578	28.5	90.5	84	Normal spaces	N/A	<a href="#">PDF</a>	<a href="#">IES</a>

\* Luminaire configurations containing Tunable White, PoE or Battery Packs are not DLC qualified.

† For Interact Office wired (PoE) configurations, power will be lower and efficacy higher, consult factory for information.

CANDELA DISTRIBUTION						Flux
	0	22.5	45	67.5	90	Lumens
0	737	737	737	737	737	
5	739	740	744	749	750	72
15	755	763	798	830	840	227
25	762	781	851	910	932	389
35	707	720	769	802	812	472
45	540	532	527	524	523	410
55	351	342	335	335	337	306
65	208	205	206	211	214	206
75	85	86	87	89	91	95
85	15	17	18	19	19	21
90	0	0	0	0	0	
95	10	11	14	15	15	20
105	56	65	85	98	104	85
115	76	87	111	138	143	109
125	79	87	108	128	129	95
135	75	79	89	105	108	71
145	73	75	79	85	86	50
155	73	75	77	77	77	35
165	73	74	75	76	76	21
175	72	72	72	73	73	7
180	72	72	72	72	72	

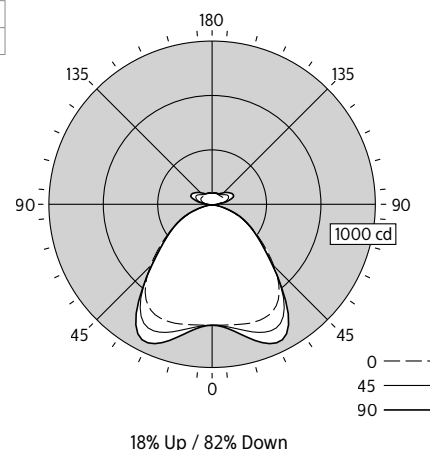
\*Photometric data shown is for 3400 lm/4ft, 3500K, 80 CRI configuration.

COEFFICIENTS OF UTILIZATION (%)													
Pc---	80				70				50				0
Pw---	70	50	30	10	70	50	30	50	30	10	0	0	
RCR													
0	115	115	115	115	110	110	110	101	101	101	82		
1	106	101	98	94	101	97	94	90	87	85	70		
2	97	89	83	78	93	86	80	80	75	71	60		
3	89	79	72	66	85	76	69	71	65	61	51		
4	81	70	62	56	78	68	61	63	57	52	44		
5	75	63	55	49	72	61	53	57	50	45	39		
6	69	57	49	43	66	55	47	51	45	40	34		
7	64	52	43	38	62	50	42	47	40	35	30		
8	60	47	39	34	57	46	38	43	36	32	27		
9	56	43	35	30	54	42	35	39	33	29	24		
10	52	40	32	27	50	39	32	36	30	26	22		

ZONAL LUMEN SUMMARY			
Zone	Lumens	%Fixture	%Lamp
0-30	688	25.6%	25.6%
0-40	1160	43.1%	43.1%
0-60	1875	69.7%	69.7%
0-90	2197	81.6%	81.6%
90-130	309	11.5%	11.5%
90-150	431	16.0%	16.0%
90-180	494	18.4%	18.4%
0-180	2692	100.0%	100.0%

Electrical				
Voltage (V)	Power (W)	Current (A)	THD (%)	Power factor
120	28.4	0.238	8.0	0.994
277	28.4	0.107	11.6	0.962
347	N/A	N/A	N/A	N/A

AVG LUMINANCE (cd/m²)			
	0	45	90
0	7152	7152	7152
5	7199	7250	7301
15	7582	8012	8442
25	8159	9109	9981
35	8372	9114	9621
45	7406	7235	7177
55	5934	5669	5704
65	4770	4722	4914
75	3170	3249	3405
85	1627	1976	2092



# BoldPlay linear suspended

## Photometrics

MesoOptics + 100% Down Kit Distribution (QJ)

Spacing Criteria: 1.17/1.17

(Click "PDF" and "IES" text to Download)

Lumen Package	Nominal CRI & CCT	Flux (lm)	Watts (W)	Efficacy (LPW)	CRI	RP-1 VDT	DLC*	Photometry Report	IES File
6500 lm/4ft	80CRI, 4000K	4985	56.5	88.2	83	N/A	N/A	<a href="#">PDF</a>	<a href="#">IES</a>
	80CRI, 3500K	4848	56.7	85.5	82	N/A	N/A	<a href="#">PDF</a>	<a href="#">IES</a>
	80CRI, 3000K	4641	56.9	81.6	84	N/A	N/A	<a href="#">PDF</a>	<a href="#">IES</a>
4600 lm/4ft	80CRI, 4000K	3560	39.2	90.8	83	N/A	N/A	<a href="#">PDF</a>	<a href="#">IES</a>
	80CRI, 3500K	3462	39.4	87.9	82	N/A	N/A	<a href="#">PDF</a>	<a href="#">IES</a>
	80CRI, 3000K	3315	39.5	83.9	84	N/A	N/A	<a href="#">PDF</a>	<a href="#">IES</a>
3400 lm/4ft	80CRI, 4000K	2639	28.3	93.3	83	Normal spaces	N/A	<a href="#">PDF</a>	<a href="#">IES</a>
	80CRI, 3500K	2565	28.4	90.3	82	Normal spaces	N/A	<a href="#">PDF</a>	<a href="#">IES</a>
	80CRI, 3000K	2457	28.5	86.2	84	Normal spaces	N/A	<a href="#">PDF</a>	<a href="#">IES</a>

\* Luminaire configurations containing Tunable White, PoE or Battery Packs are not DLC qualified.

† For Interact Office wired (PoE) configurations, power will be lower and efficacy higher, consult factory for information.

	CANDELA DISTRIBUTION					Flux Lumens
	0	22.5	45	67.5	90	
0	877	877	877	877	877	
5	880	880	884	888	889	85
15	896	903	940	974	983	267
25	900	917	989	1049	1071	453
35	830	840	886	918	922	544
45	627	619	611	600	594	473
55	408	400	388	385	385	354
65	242	239	240	243	248	239
75	100	101	102	104	105	112
85	19	20	22	22	22	26
90	0	0	0	0	0	
95	1	1	1	1	0	1
105	1	2	2	3	1	2
115	2	2	3	2	2	2
125	2	3	2	2	2	2
135	2	2	2	3	3	2
145	2	2	2	3	3	2
155	2	2	2	2	3	1
165	2	2	2	1	2	1
175	1	1	1	1	1	0
180	1	1	1	1	1	

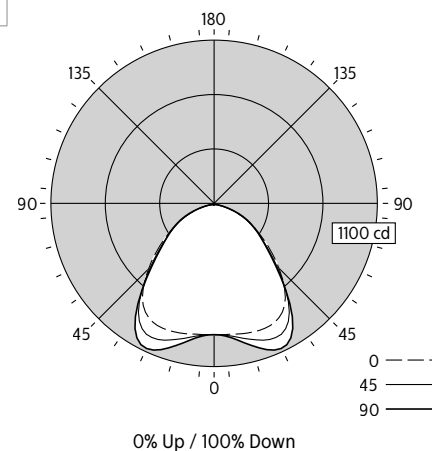
\*Photometric data shown is for 3400 lm/4ft, 3500K, 80 CRI configuration.

COEFFICIENTS OF UTILIZATION (%)													
Pc---	80				70				50				0
Pw---	70	50	30	10	70	50	30	50	30	10	0	0	
RCR													
0	119	119	119	119	116	116	116	111	111	111	100		
1	110	106	102	98	107	103	100	99	96	93	86		
2	101	93	87	82	98	91	86	88	83	79	73		
3	92	83	75	69	90	81	74	78	72	67	63		
4	85	74	66	59	83	72	65	70	63	58	54		
5	78	66	58	51	76	65	57	63	56	51	47		
6	73	60	51	45	71	59	51	57	50	45	42		
7	67	54	46	40	66	54	46	52	45	40	37		
8	63	50	42	36	61	49	41	48	41	36	33		
9	59	46	38	32	57	45	38	44	37	32	30		
10	55	42	35	29	54	42	34	41	34	29	27		

ZONAL LUMEN SUMMARY			
Zone	Lumens	%Fixture	%Lamp
0-30	805	31.4%	31.4%
0-40	1349	52.6%	52.6%
0-60	2176	84.8%	84.8%
0-90	2553	99.5%	99.5%
90-130	8	0.3%	0.3%
90-150	11	0.4%	0.4%
90-180	12	0.5%	0.5%
0-180	2565	100.0%	100.0%

Electrical				
Voltage (V)	Power (W)	Current (A)	THD (%)	Power factor
120	28.4	0.238	8.0	0.994
277	28.4	0.107	11.6	0.962
347	N/A	N/A	N/A	N/A

AVG LUMINANCE (cd/m²)			
	0	45	90
0	8509	8509	8509
5	8572	8613	8664
15	8998	9438	9879
25	9635	10585	11468
35	9831	10499	10919
45	8610	8381	8151
55	6905	6570	6517
65	5561	5513	5705
75	3757	3836	3953
85	2092	2441	2441





# BoldPlay linear suspended w/tunable white

## Photometrics

MesoOptics + Lightguide Distribution (QN)

Spacing Criteria: 1.56/1.72

(Click "PDF" and "IES" text to Download)

Lumen Package	Nominal CRI & CCT	Flux (lm)	Power <sup>1</sup> (W)	Efficacy <sup>1</sup> (LPW)	CRI	R9	RP-1 VDT	Photometry Report	IES File
4600 lm/4ft	80CRI, 2700K	4809	41.1	117.0	82	6	Critical spaces	PDF	IES
	80CRI, 3000K	4805	40.2	119.4	84	15			
	80CRI, 3500K	4801	39.3	122.2	86	23			
	80CRI, 4000K	4798	38.5	124.5	87	27			
	80CRI, 5000K	4792	37.3	128.4	86	22			
	80CRI, 6500K	4788	36.3	131.8	84	12			
3400 lm/4ft	80CRI, 2700K	3379	27.9	121	82	7	Critical spaces	PDF	IES
	80CRI, 3000K	3380	27.5	122.8	84	16			
	80CRI, 3500K	3381	27.1	124.9	86	24			
	80CRI, 4000K	3381	26.7	126.6	87	27			
	80CRI, 5000K	3382	26.1	129.4	86	22			
	80CRI, 6500K	3383	25.7	131.9	84	12			

<sup>1</sup> Data above is for Tunable White with PoE Lighting Controllers. Tunable White with DALI Drivers will result in higher power draw and lower efficacy. Consult factory for details..

CANDELA DISTRIBUTION						Flux
	0	22.5	45	67.5	90	Lumens
0	250	250	250	250	250	
5	252	253	258	261	266	25
15	263	271	298	319	335	85
25	268	288	335	381	399	153
35	249	268	302	345	353	188
45	190	202	204	225	223	163
55	125	130	127	138	136	119
65	72	76	74	81	80	77
75	30	33	30	33	29	34
85	6	6	5	6	5	7
90	0	0	0	0	0	
95	86	79	165	217	278	175
105	234	267	447	639	782	480
115	318	371	557	785	912	568
125	331	373	498	662	732	463
135	319	347	408	493	521	326
145	312	342	365	401	420	232
155	305	343	347	355	363	160
165	296	331	344	336	342	94
175	289	301	310	323	318	30
180	287	287	287	287	287	

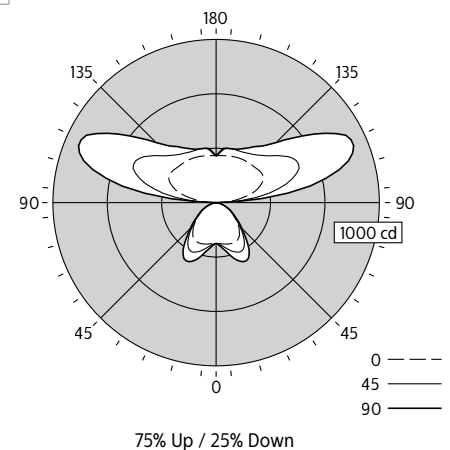
\*Photometric data shown is for 3400 lm/4ft, 2700K, 80 CRI configuration.

COEFFICIENTS OF UTILIZATION (%)													
Pc---	80				70				50				0
Pw---	70	50	30	10	70	50	30	50	30	10	0	0	
RCR	0	101	101	101	101	90	90	90	70	70	70	25	
	1	92	88	85	82	82	79	76	61	59	57	22	
	2	84	77	72	67	75	69	64	54	51	48	19	
	3	77	68	61	56	68	61	55	48	44	40	16	
	4	70	60	53	47	62	54	48	42	38	34	14	
	5	65	54	46	40	57	48	41	38	33	29	12	
	6	59	48	40	35	53	43	36	34	29	26	11	
	7	55	43	35	30	49	39	32	31	26	22	9	
	8	51	39	32	26	45	35	29	28	23	20	8	
	9	47	35	28	23	42	32	26	25	21	18	8	
	10	44	32	25	21	39	29	23	23	19	16	7	

ZONAL LUMEN SUMMARY			
Zone	Lumens	%Fixture	%Lamp
0-30	263	7.8%	7.8%
0-40	451	13.3%	13.3%
0-60	732	21.7%	21.7%
0-90	850	25.2%	25.2%
90-130	1686	49.9%	49.9%
90-150	2244	66.4%	66.4%
90-180	2529	74.8%	74.8%
0-180	3379	100.0%	100.0%

Electrical		
Voltage (VDC)	Power (W)	Current (A)
48-54	27.9	0.499

AVG LUMINANCE (cd/m <sup>2</sup> )			
	0	45	90
0	2436	2436	2436
5	2472	2524	2607
15	2657	3015	3387
25	2892	3607	4300
35	2962	3602	4203
45	2617	2822	3077
55	2124	2165	2322
65	1673	1717	1853
75	1143	1124	1102
85	616	560	571



# BoldPlay linear suspended w/tunable white

## Photometrics

MesoOptics + 55% Down Kit Distribution (QD)

Spacing Criteria: 1.50/1.62

(Click "PDF" and "IES" text to Download)

Lumen Package	Nominal CRI & CCT	Flux (lm)	Power <sup>1</sup> (W)	Efficacy <sup>1</sup> (LPW)	CRI	R9	RP-1 VDT	Photometry Report	IES File
4600 lm/4ft	80CRI, 2700K	4097	41.1	99.7	82	6	Normal spaces	PDF	IES
	80CRI, 3000K	4094	40.2	101.7	84	15			
	80CRI, 3500K	4090	39.3	104.1	86	23			
	80CRI, 4000K	4087	38.5	106.1	87	27			
	80CRI, 5000K	4083	37.3	109.4	86	22			
	80CRI, 6500K	4079	36.3	112.3	84	12			
3400 lm/4ft	80CRI, 2700K	2879	27.9	103.1	82	7	Critical spaces	PDF	IES
	80CRI, 3000K	2880	27.5	104.6	84	16			
	80CRI, 3500K	2880	27.1	106.4	86	24			
	80CRI, 4000K	2881	26.7	107.9	87	27			
	80CRI, 5000K	2881	26.1	110.3	86	22			
	80CRI, 6500K	2882	25.7	112.3	84	12			

<sup>1</sup> Data above is for Tunable White with PoE Lighting Controllers. Tunable White with DALI Drivers will result in higher power draw and lower efficacy. Consult factory for details..

CANDELA DISTRIBUTION						Flux
	0	22.5	45	67.5	90	Lumens
0	524	524	524	524	524	
5	527	528	536	538	545	52
15	538	551	590	615	643	167
25	537	563	626	688	711	287
35	483	511	544	609	588	341
45	369	376	371	403	390	295
55	238	245	232	249	245	218
65	137	143	137	148	145	142
75	55	61	54	62	59	64
85	10	12	10	13	10	14
90	0	0	0	0	0	
95	34	36	73	83	132	83
105	112	142	231	327	404	249
115	163	199	296	416	478	300
125	167	197	257	343	373	240
135	160	178	205	243	247	163
145	164	176	188	199	198	117
155	168	175	183	187	186	84
165	168	170	175	177	177	49
175	162	163	163	163	164	16
180	161	161	161	161	161	

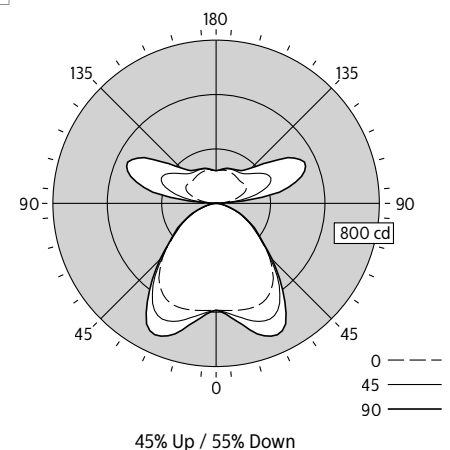
\*Photometric data shown is for 3400 lm/4ft, 2700K, 80 CRI configuration.

COEFFICIENTS OF UTILIZATION (%)													
Pc---	80				70				50				0
Pw---	70	50	30	10	70	50	30	50	30	10	0	0	
RCR													
0	108	108	108	108	101	101	101	86	86	86	55		
1	99	95	92	88	92	89	86	76	74	72	47		
2	91	84	78	73	84	78	73	67	64	60	41		
3	83	74	67	61	77	69	63	60	55	51	35		
4	76	66	58	52	71	62	55	53	48	44	30		
5	70	59	51	45	65	55	48	48	42	38	26		
6	65	53	45	39	60	50	42	43	38	33	23		
7	60	48	40	34	56	45	38	39	34	30	21		
8	56	43	36	30	52	41	34	36	30	26	19		
9	52	40	32	27	48	37	31	33	27	24	17		
10	48	36	29	24	45	34	28	30	25	21	15		

ZONAL LUMEN SUMMARY			
Zone	Lumens	%Fixture	%Lamp
0-30	505	17.5%	17.5%
0-40	847	29.4%	29.4%
0-60	1360	47.2%	47.2%
0-90	1580	54.9%	54.9%
90-130	872	30.3%	30.3%
90-150	1152	40.0%	40.0%
90-180	1300	45.1%	45.1%
0-180	2880	100.0%	100.0%

Electrical		
Voltage (VDC)	Power (W)	Current (A)
48-54	27.9	0.499

AVG LUMINANCE (cd/m <sup>2</sup> )			
	0	45	90
0	5113	5113	5113
5	5166	5257	5337
15	5442	5963	6496
25	5784	6742	7656
35	5755	6489	7005
45	5095	5120	5383
55	4057	3949	4166
65	3174	3170	3355
75	2071	2030	2241
85	1087	1143	1132



# BoldPlay linear suspended w/tunable white

## Photometrics

MesoOptics + 80% Down Kit Distribution (QG)

Spacing Criteria: 1.17/1.17

(Click "PDF" and "IES" text to Download)

Lumen Package	Nominal CRI & CCT	Flux (lm)	Power <sup>1</sup> (W)	Efficacy <sup>1</sup> (LPW)	CRI	R9	RP-1 VDT	Photometry Report	IES File
4600 lm/4ft	80CRI, 2700K	3790	41.1	92.2	82	6	Normal spaces	PDF	IES
	80CRI, 3000K	3787	40.2	94.1	84	15			
	80CRI, 3500K	3784	39.3	96.3	86	23			
	80CRI, 4000K	3781	38.5	98.2	87	27			
	80CRI, 5000K	3777	37.3	101.2	86	22			
	80CRI, 6500K	3774	36.3	103.9	84	12			
3400 lm/4ft	80CRI, 2700K	2663	27.9	95.4	82	7	Normal spaces	PDF	IES
	80CRI, 3000K	2664	27.5	96.8	84	16			
	80CRI, 3500K	2664	27.1	98.4	86	24			
	80CRI, 4000K	2665	26.7	99.8	87	27			
	80CRI, 5000K	2665	26.1	102	86	22			
	80CRI, 6500K	2666	25.7	103.9	84	12			

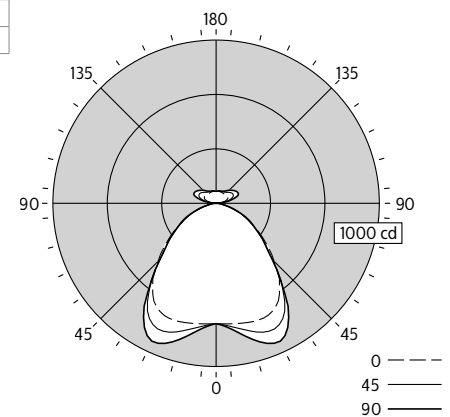
<sup>1</sup> Data above is for Tunable White with PoE Lighting Controllers. Tunable White with DALI Drivers will result in higher power draw and lower efficacy. Consult factory for details..

CANDELA DISTRIBUTION						Flux
	0	22.5	45	67.5	90	Lumens
0	738	738	738	738	738	
5	742	743	752	752	761	72
15	756	772	810	840	863	230
25	756	788	849	908	932	388
35	677	714	733	780	769	457
45	503	525	490	512	486	392
55	334	338	318	329	318	294
65	194	201	190	203	201	196
75	78	84	77	87	80	89
85	12	16	14	19	17	19
90	0	0	0	0	0	
95	17	17	23	19	26	26
105	61	68	89	99	113	90
115	80	91	116	143	149	114
125	83	94	112	135	136	101
135	78	85	95	115	113	76
145	75	80	84	92	91	53
155	75	78	80	82	82	37
165	75	77	78	79	79	22
175	73	74	74	75	75	7
180	74	74	74	74	74	

COEFFICIENTS OF UTILIZATION (%)											
Pc---	80				70			50			0
Pw---	70	50	30	10	70	50	30	50	30	10	0
RCR											
0	114	114	114	114	109	109	109	100	100	100	80
1	105	101	97	94	101	97	94	89	87	84	69
2	97	89	83	78	92	86	80	79	75	71	59
3	89	79	72	66	85	76	69	70	65	61	51
4	81	71	63	56	78	68	61	63	57	52	44
5	75	63	55	49	72	61	53	57	50	46	39
6	69	57	49	43	66	55	47	51	45	40	34
7	64	52	44	38	62	50	43	47	40	36	30
8	60	47	39	34	57	46	38	43	36	32	27
9	56	43	36	30	54	42	35	39	33	29	25
10	52	40	32	28	50	39	32	36	30	26	22

AVG LUMINANCE (cd/m <sup>2</sup> )			
	0	45	90
0	7201	7201	7201
5	7270	7367	7461
15	7639	8188	8725
25	8149	9146	10042
35	8068	8738	9161
45	6946	6761	6712
55	5689	5415	5413
65	4491	4392	4635
75	2927	2886	3033
85	1344	1613	1871

ZONAL LUMEN SUMMARY			
Zone	Lumens	%Fixture	%Lamp
0-30	691	25.9%	25.9%
0-40	1147	43.1%	43.1%
0-60	1833	68.8%	68.8%
0-90	2137	80.3%	80.3%
90-130	330	12.4%	12.4%
90-150	459	17.2%	17.2%
90-180	525	19.7%	19.7%
0-180	2663	100.0%	100.0%



20% Up / 80% Down

\*Photometric data shown is for 3400 lm/4ft, 2700K, 80 CRI configuration.

Electrical		
Voltage (VDC)	Power (W)	Current (A)
48-54	27.9	0.499

# BoldPlay linear suspended w/tunable white

## Photometrics

MesoOptics + 100% Down Kit Distribution (QJ)

Spacing Criteria: 1.17/1.17

(Click "PDF" and "IES" text to Download)

Lumen Package	Nominal CRI & CCT	Flux (lm)	Power <sup>1</sup> (W)	Efficacy <sup>1</sup> (LPW)	CRI	R9	RP-1 VDT	Photometry Report	IES File
4600 lm/4ft	80CRI, 2700K	3611	41.1	87.9	82	6	N/A	PDF	IES
	80CRI, 3000K	3608	40.2	89.7	84	15			
	80CRI, 3500K	3605	39.3	91.8	86	23			
	80CRI, 4000K	3603	38.5	93.5	87	27			
	80CRI, 5000K	3599	37.3	96.4	86	22			
	80CRI, 6500K	3596	36.3	99.0	84	12			
3400 lm/4ft	80CRI, 2700K	2538	27.9	90.9	82	7	Normal spaces	PDF	IES
	80CRI, 3000K	2539	27.5	92.2	84	16			
	80CRI, 3500K	2539	27.1	93.8	86	24			
	80CRI, 4000K	2540	26.7	95.1	87	27			
	80CRI, 5000K	2540	26.1	97.2	86	22			
	80CRI, 6500K	2541	25.7	99	84	12			

<sup>1</sup> Data above is for Tunable White with PoE Lighting Controllers. Tunable White with DALI Drivers will result in higher power draw and lower efficacy. Consult factory for details.

CANDELA DISTRIBUTION						Flux
	0	22.5	45	67.5	90	Lumens
0	881	881	881	881	881	
5	886	888	897	897	909	86
15	900	916	955	987	1007	271
25	895	927	986	1050	1062	452
35	802	835	837	902	851	527
45	586	609	567	583	555	451
55	382	392	364	376	365	340
65	229	241	222	239	229	228
75	92	101	91	101	92	103
85	15	20	17	22	17	22
90	0	0	0	0	0	
95	9	10	9	6	5	8
105	9	10	10	9	7	10
115	8	11	11	9	9	10
125	8	11	10	10	10	9
135	7	8	10	11	11	8
145	6	8	10	12	12	6
155	6	8	9	11	11	4
165	6	7	8	8	9	2
175	6	6	6	6	6	1
180	6	6	6	6	6	

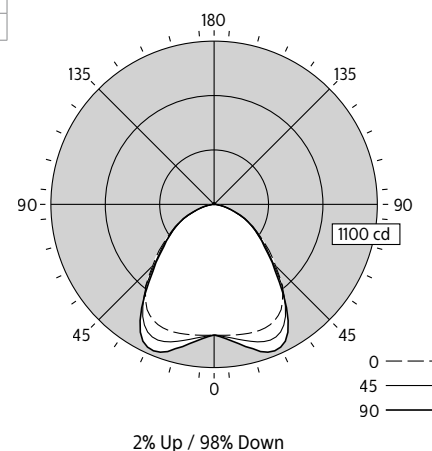
\*Photometric data shown is for 3400 lm/4ft, 2700K, 80 CRI configuration.

COEFFICIENTS OF UTILIZATION (%)													
Pc---	80				70				50				0
Pw---	70	50	30	10	70	50	30	50	30	10	10	0	
RCR	0	119	119	119	119	116	116	116	110	110	110	98	
	1	110	105	101	98	107	103	99	98	95	93	84	
	2	101	93	87	82	98	91	85	87	82	78	72	
	3	92	83	75	69	90	81	74	78	72	67	62	
	4	85	74	66	59	83	72	65	70	63	58	54	
	5	78	66	58	52	76	65	57	63	56	51	47	
	6	73	60	52	46	71	59	51	57	50	45	42	
	7	68	55	46	41	66	54	46	52	45	40	37	
	8	63	50	42	36	61	49	42	48	41	36	33	
	9	59	46	38	33	57	45	38	44	37	32	30	
	10	55	42	35	30	54	42	35	41	34	29	27	

ZONAL LUMEN SUMMARY			
Zone	Lumens	%Fixture	%Lamp
0-30	809	31.9%	31.9%
0-40	1336	52.7%	52.7%
0-60	2128	83.9%	83.9%
0-90	2481	97.8%	97.8%
90-130	36	1.4%	1.4%
90-150	50	2.0%	2.0%
90-180	57	2.2%	2.2%
0-180	2537	100.0%	100.0%

Electrical		
Voltage (VDC)	Power (W)	Current (A)
48-54	27.9	0.499

AVG LUMINANCE (cd/m <sup>2</sup> )			
	0	45	90
0	8599	8599	8599
5	8681	8787	8905
15	9096	9658	10176
25	9639	10624	11438
35	9563	9978	10140
45	8088	7823	7658
55	6506	6196	6212
65	5288	5124	5284
75	3459	3437	3475
85	1658	1860	1927



The information presented in this document is not intended as any commercial offer and does not form part of any quotation or contract.

