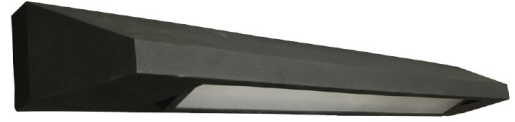


## GATEWAY SERIES GTW2/GTW4

### FEATURES:

- Intended for Over The Door Applications, Architectural Drip Edge, Exteriors, Entryways, Facades, Commercial Settings, Transportation Settings, and more
- Available in 2ft (24" Optic, 32" Housing) and 4ft (48" Optic, 56" Housing)
- Patent-pending field-adjustable optic
- Easy installation with a separate mounting bracket
- Available with 2 drivers and 2 emergency battery packs for independent light engine operation (GTW4)
- This product was Made in America and complies with the Buy American Act requirements



GTW2

### RELATED PRODUCTS:

- [Gateway \(GTW\) Quick Ship Ordering Options](#)



### SPECIFICATIONS

**HOUSING:** 16 gauge formed aluminum housing and endcaps (standard). Optional stainless steel and cold rolled steel. Cold rolled steel is not recommended for outdoor use.

**OPTIC:** Rotatable frosted polycarbonate lens inside aluminum frame.

**OPTIC LOCKING MECHANISM:** Optional internal locking mechanism for optic chamber. Five field adjustable locking positions.

**LED:** Available in four color temperatures 3000°K, 3500°K, 4000°K and 5000°K with maximum 3-step MacAdam variation allowance. Other color temperatures available, consult factory. Minimum 80 CRI standard.

**ELECTRICAL:** 0-10V dimming available with 10-100% range and 1-100% range. Must specify dimming under options.

**FASTENERS:** Torx Head screws with center pin reject (standard). Optional Philips flat head screws.

**FINISH:** Extremely durable powder coat finish available in black (standard), bronze or matte white. Finish suitable for outdoor applications. Custom colors available, must specify RAL number and if antimicrobial finish is needed (set-up fees may apply). If Stainless Steel Brushed is specified, do not specify a paint finish.

**GASKET:** Closed cell neoprene gaskets prevent air contaminations from entering the fixture.

**INSTALLATION:** Separate mounting bracket allows for easy wall installation.

**WARRANTY:** [New Star Promise](#) (N/A with CRS). Limited five (5) year warranty.

**LABEL:** Fixture is certified to UL standards for Wet Location.

## GATEWAY SERIES

GTW2/GTW4

### ORDERING INFORMATION

EXAMPLE: GTW2-HA-L230-UN-BK

SERIES	SIZE*	HOUSING	LUMEN OUTPUT*	COLOR TEMP.	VOLTAGE
GTW					
	2 = 24" Optic, 32" Housing	HA = 16Ga. Alum. Painted	L1 = Low	30 = 3000°K	12 = 120V
	4 = 48" Optic, 56" Housing	HS = 20Ga. SS Brushed	L2 = High	35 = 3500°K	27 = 277V
		HP = 20Ga. SS Painted		40 = 4000°K	UN = Universal (120V-277V)
	*Nominal Size. Consult factory for custom sizes. Dimensional Data on page 4.	HC = 20Ga. CRS Painted*	*Subject to change. Performance Data on page 3.	50 = 5000°K	
		*Not recommended for outdoor applications			

FINISH	OPTIONS

Blank = If SS Brushed Housing is specified (HS)  
 BK = Black  
 BZ = Bronze  
 WH = Matte White  
 CC = Custom Color\*

FZ1 = Fuse (120V)  
 FZ2 = Fuse (277V)  
 DM = 0-10V dimming with 10-100% range  
 DM1 = 0-10V dimming with 1-100% range  
 OC = Occupancy Sensor  
 PC = Photocell Sensor (set at 20fc)  
 EL = Emergency Battery Pack (7W)\*  
 PH = Philips Flat Head Screw  
 ED = Two Drivers & Two Emerg Batt Packs for independent light engine operation\*\*  
 GLM = Optic locking mechanism\*\*\*

\*Must specify RAL number at time of order and if antimicrobial finish is needed. Subject to set-up fees.

\*Provided on an additional independent circuit. Test switch located on bottom of fixture unless otherwise specified.  
 \*\* GTW2 requires separate back box (provided). N/A with L1.  
 \*\*\* See page 3 for more information.

This product was Made in America and complies with the Buy American Act requirements. Specifications and dimensions are subject to change without notice. For additional options and dimensional details, please consult your New Star Lighting representative.

# GATEWAY SERIES

## GTW2/GTW4



### PERFORMANCE DATA\*

\*Data is with 80 CRI chip. LEDs are frequently updated therefore values may change without notice.

MODEL	OUTPUT	COLOR TEMP.	LUMENS DELIVERED	EFFICACY (lm/W)	INPUT POWER (W)
GTW2	L1 = Low	4000°K	970	78	12.5
	L2 = High	4000°K	1940	78	25
GTW4	L1 = Low	4000°K	1940	78	25
	L2 = High	4000°K	3800	76	50

### OPTIC LOCKING MECHANISM

Internal field adjustable locking mechanism for optic chamber with five positions: -25°, -12.5°, 0°, 12.5°, 25°. Pull back internal spring pin, adjust optic, release spring to lock into one of the 5 positions. Consult factory for questions.



This product was Made in America and complies with the Buy American Act requirements. Specifications and dimensions are subject to change without notice. For additional options and dimensional details, please consult your New Star Lighting representative.

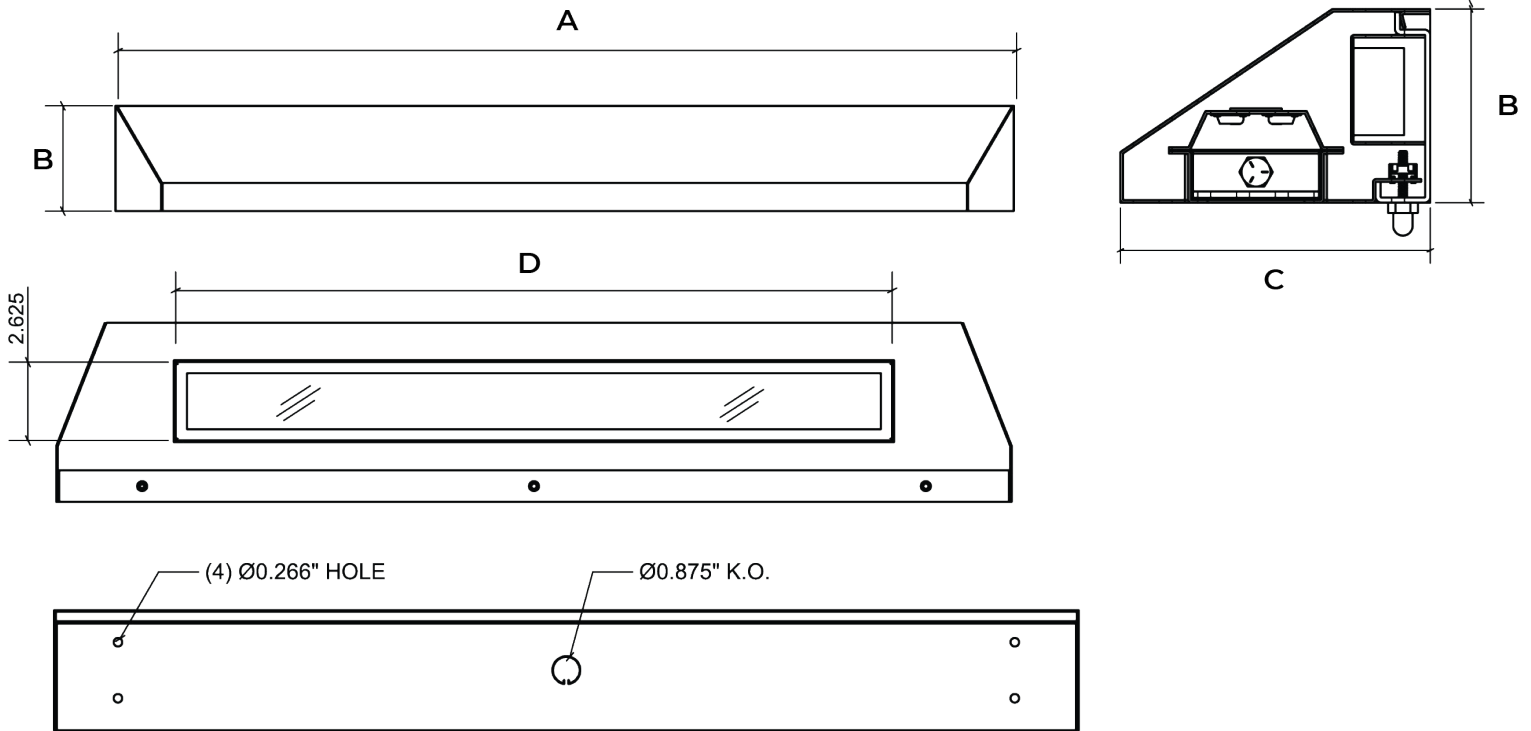
# GATEWAY SERIES

GTW2/GTW4



## DIMENSIONAL DATA

Fixture weight varies and is dependent upon chosen specifications. Consult factory for additional information. Average weight of the GTW2 is 15lb. Average weight of the GTW4 is 25lb.



	A	B	C	D
<b>GTW2</b>	32.00"	3.75"	6.00"	24.00"
<b>GTW4</b>	56.00"	3.75"	6.00"	48.00"

This product was Made in America and complies with the Buy American Act requirements. Specifications and dimensions are subject to change without notice. For additional options and dimensional details, please consult your New Star Lighting representative.