

VIA WET

SURFACE



DESCRIPTION

Via Wet offers architectural lighting for wet locations in both exterior and interior applications. With a simple 3¾" high by 4½" wide profile of extruded aluminum, Via Wet can be installed in recessed, ceiling, wall, or pendant mounting.

Fully sealed, Via Wet is suitable for extreme weather condition, -20°C/-4°F to 40°C/104°F.

PROJECT: _____

TYPE: _____

NOTES: _____

IMPORTANT: Fixture must be installed with lens facing down.

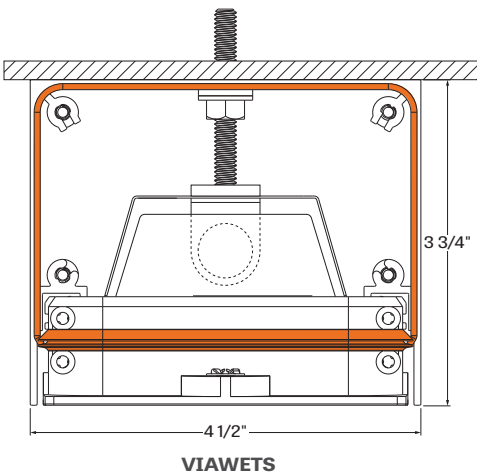
ORDER GUIDE

VIAWETS					
LUMINAIRE ID	PROTECTIVE OPTICS	OPTICS	LIGHT SOURCE	NUMBER OF LAMPS	LUMINAIRE LENGTH
VIAWETS- via wet surface	TMG - Tempered Clear Glass PYC - Clear Polycarbonated	HLO - High-Efficiency Lambertian Optic PMO - Precision Micro-Prism Optic	T5 - T5 lamp T5HO - T5HO lamp	1 - 1 lamp 2 - 2 lamps	Standard sections - 4' For all other specify length #FT - nominal length in feet Continuous Run - 4' sections joint together

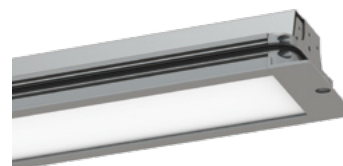
			GSM		
VOLTAGE	BALLAST	ELECTRICAL	MOUNTING	POWER FEED	FINISH
120 - 120V 277 - 277V UNV - 120V-277V 347 - 347V	RS - rapid start ST - step dimming D - dimming 0-10V	1 - 1 circuit 2 - 2 circuits +EM - emergency light circuit +NL - night light circuit +GTD### - generator transfer device, 120V or 277V	GSM - Gasketed surface mount	EF - end feed TF - top feed	W - matte white AL - aluminum CF# - custom finish specify RAL#

See page 2 for ordering code detailed information

CROSS SECTION



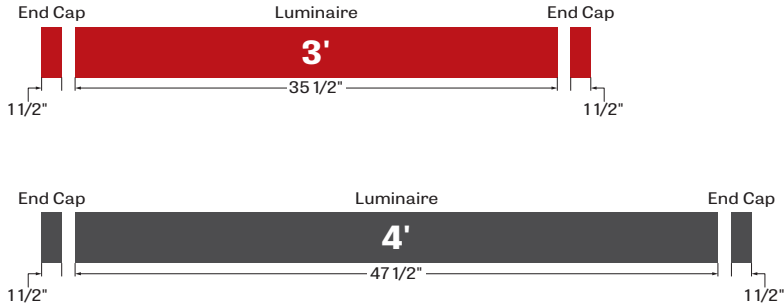
OPTICS AND PROTECTIVE OPTICS



TMG + HLO - Tempered Clear Glass with High Efficiency Lambertian Optic

ROW CONFIGURATIONS AND MOUNTING SPACING

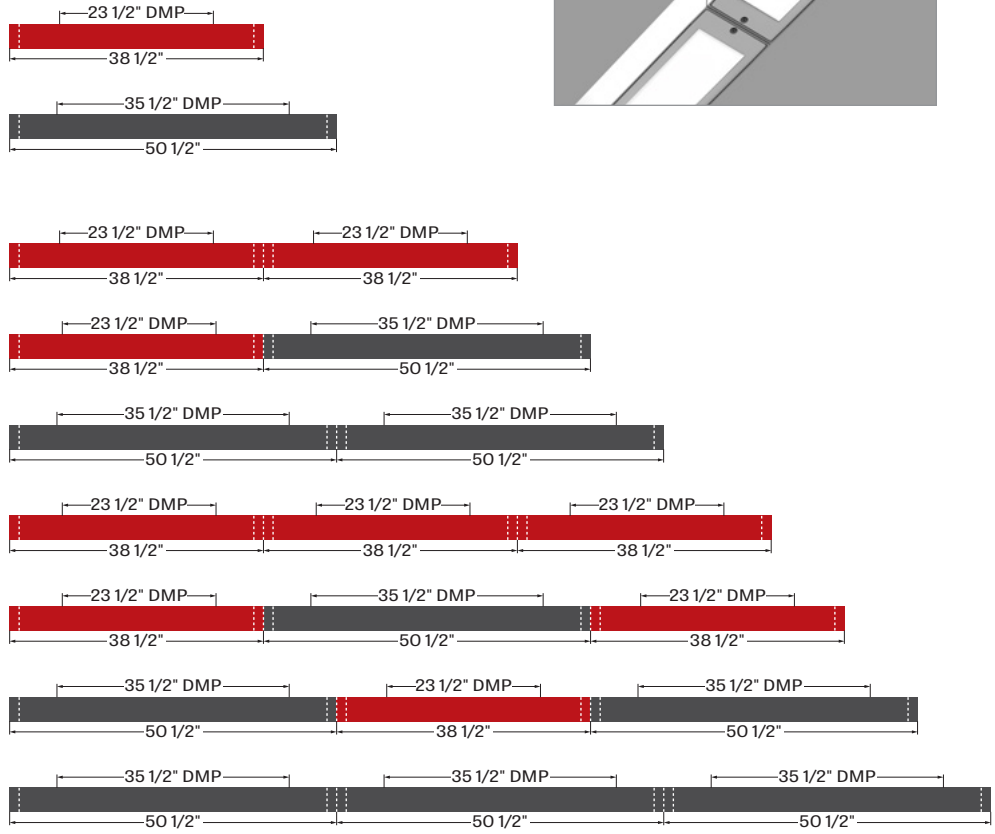
LUMINAIRE LENGTHS AND ENDCAPS



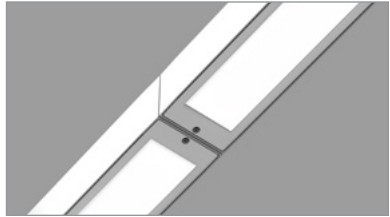
ROW CONFIGURATIONS AND MOUNTING SPACING

SECTIONS		TOTAL LENGTH	
3ft	4ft	Nominal	Actual
1X		3'	38 1/2"
	1X	4'	50 1/2"
2X		6'	77 1/16"
1X	1X	7'	89 1/16"
	2X	8'	101 1/16"
3X		9'	115 5/8"
2X	1X	10'	127 5/8"
1X	2X	11'	139 5/8"
	3X	12'	151 5/8"

DMP = Distance between Mounting Points



3D LUMINAIRE JOINING SECTION



For longer run please use the same logic

OPTICS AND PROTECTIVE OPTICS

Via Wet is available with a clear tempered glass (**TMG**) or a clear, UV stabilized polycarbonate (**PYC**) protective enclosure, which are installed outside of the luminaire optic itself.

The Precision Micro Optic (**PMO**) option utilizes a special catadioptric lens with a two-dimensional array of prisms designed to eliminate glare while maintaining high efficiency and clean luminous appearance. The High efficiency Lambertian Optic (**HLO**) option uses a diffuser that combines 88% transmission with good source obscuration.

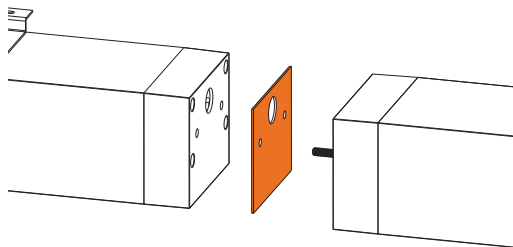
LIGHT SOURCE - LED

Custom linear array of mid-flux LED's are cartridge-mounted with quick-connect wiring to facilitate service and thermal management. Available in 3000K, 3500K and 4000K with a minimum 80 CRI and an option for 90 CRI with elevated R9 value. Color consistency maintained to within 3 SDCM. LEDs operated at reduced drive current to optimize efficacy and lumen maintenance.

All LEDs have been tested in accordance with IESNA LM-80-08 and the results have shown L80 lumen maintenance greater than 60,000 hours. Absolute product photometry is measured and presented in accordance with IESNA LM-79, unless otherwise indicated.

LUMINAIRE LENGTH

Via Wet is made up of standard 4 foot sections that can be joined cleanly and securely for continuous runs in all configurations.

Joining system

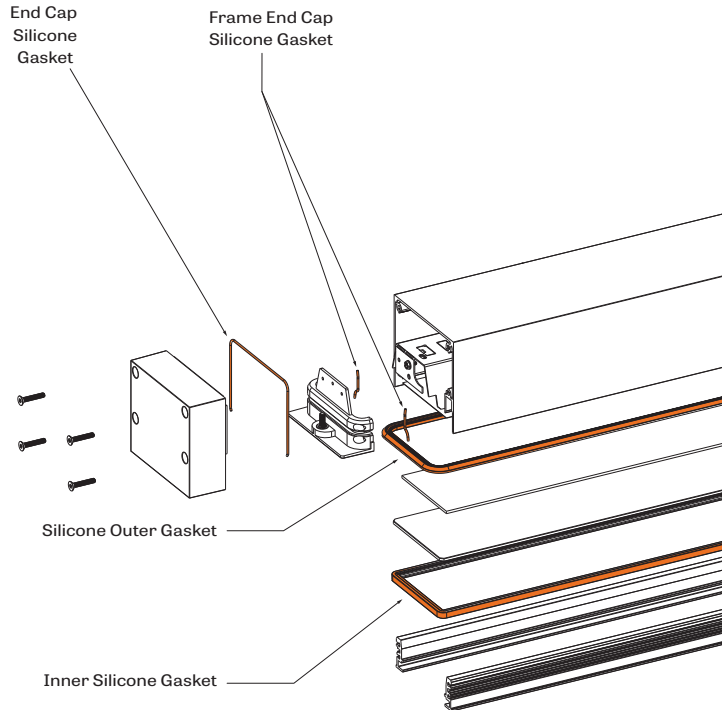
All individual sections are joined together onsite using the 1/4"-20 screws and nuts provided. The joint between 2 adjacent individual sections is sealed by a silicone gasket attached to one of the 2 sections. The electrical connection between sections is made through the holes provided in the end-caps.

ELECTRICAL

Universal input voltages with multiple control schemes offered. Consult factory for availability.

MOUNTING OPTIONS

Fixtures can be mounted directly to hard surface ceilings, hardware supplied by others.

GASKETTED FIXTURE MOUNTING OPTIONS

Lens and enclosure are sealed with inner and outer silicone gaskets

FINISH

Interior - 95%, reflective matte powder coated white paint

Exterior - matte white or aluminum powder coating.

Custom finishes are also available.

CONSTRUCTION

Housing - Extruded Aluminum (0.095" nominal) up to 90% Recycled Content

Side frame extrusions - Extruded Aluminum (0.125" nominal) up to 90% Recycled Content

Interior brackets - Die formed cold rolled sheet steel 16 gauge thick

Joining system - 2 x 1/4"-20 screws + nuts accessible from inside the fixture + one silicone gasket attached to one of the end-caps.

Reflectors - Flat rolled Aluminum sheet 0.040" thick precisely die formed, 95% reflective matte white painted

End Cap - Aluminum Die Cast

Tempered Clear Glass - clear, 1/8" thickness, fully tempered optics.

Polycarbonated - clear, 1/8" thickness, UV protected optics.

Gaskets - Fixture lens unit and end-caps are fully sealed using silicone gaskets.

Power grommet - EPDM rubber rated IP67.

WEIGHT

Via Wet 4ft - 18.2lbs - 8.27kg

CERTIFICATIONS

ETL - Rated for Wet location. Conforms to UL Standard 1598 and certified to CAN/CSA Standard C22.2 No. 250.0.