

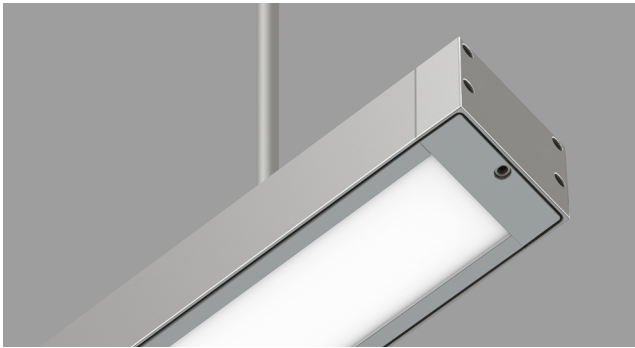
# VIA WET

PENDANT  
DIRECT  
STATIC WHITE

# LUMENWERX



Project: \_\_\_\_\_  
Type: \_\_\_\_\_



## DESCRIPTION

Via Wet offers architectural lighting for wet locations in both exterior and interior applications. With a simple 3¾" high by 4½" wide profile of extruded aluminum, Via Wet can be installed in recessed, ceiling, wall, or pendant mounting. Fully sealed, Via Wet is suitable for extreme weather condition, -20°C/-4°F to 40°C/104°F. A choice of output options provides up to 1000 lumens per foot section.

**SENSORS**  
For latest information on sensors, click [here](#).

**IMPORTANT:**  
Fixture must be installed with lens facing down.

## Order Guide

Up to 89 lm/W performance

LUMINAIRE ID	DISTRIBUTION	PROTECTIVE OPTIC	OPTIC	LIGHT SOURCE	CRI	LUMEN PACKAGE
<b>VIAWETP</b>	<b>D</b>			<b>SW</b>		
<b>VIAWETP</b> - Via Wet Pendant	<b>D</b> - Direct	<b>TMG</b> - Tempered Clear Glass <b>PYC</b> - Clear Polycarbonate	<b>HLO</b> - High-Efficiency Lambertian Optic <b>PMO</b> - Precision Micro-Prism Optic	<b>SW</b> - Static white	<b>80CRI</b> - 80 CRI <b>90CRI</b> - 90 CRI	<b>500LMF</b> - Low output 500 lm/ft <b>750LMF</b> - Medium output 750 lm/ft <b>1000LMF</b> - High output 1000 lm/ft

COLOR TEMP.	LUMINAIRE LENGTH	VOLTAGE	DRIVER <sup>2</sup>	ELECTRICAL
<b>27K</b> - 2700K <b>30K</b> - 3000K <b>35K</b> - 3500K <b>40K</b> - 4000K <b>50K</b> - 5000K	<b>#FT</b> - Specify nominal length (#) in 1 foot increments  <b>Standard nominal lengths:</b> Single units: 3' and 4' Continuous runs: lengths over 4'	<b>120V</b> - 120V <b>277V</b> - 277V <b>UNV</b> - 120V-277V <b>347V</b> <sup>1</sup> - 347V	<b>D1</b> - 1% 0-10V <b>DA</b> <sup>3</sup> - DALI <b>LTD10</b> <sup>4</sup> - Low-temperature 10% 0-10V	<b>1C</b> - 1 circuit <b>#MC</b> <sup>5</sup> - Multi circuit <b>EC</b> - Emergency-powered fixture <b>NL</b> - Night light fixture <b>DL</b> - Daylight fixture <b>GTD</b> <sup>6,7,8</sup> - Generator transfer device fixture
		<sup>1</sup> Only available with D1 driver.	<sup>2</sup> PoE (Power-over-Ethernet) compatible. Consult factory for details. <sup>3</sup> On-site commissioning is required. <sup>4</sup> Suitable for temperatures down to -40°C/F.	<sup>5</sup> Specify total number of circuits (#), including any circuits required for electrical section options. Provide drawing or layout specifications. Minimum 4' section per circuit. <sup>6</sup> Minimum 4' fixture. <sup>7</sup> Not available with 347V. <sup>8</sup> Not available for environments where the ambient temperature falls below 0°C (32°F).

ELECTRICAL SECTIONS (optional) <sup>9,10</sup>	POWER FEED	MOUNTING <sup>15</sup>	FINISH	OPTION
	<b>TF</b>			
<b>#EC##</b> <sup>11</sup> - Emergency-powered section <b>#NL##</b> <sup>11</sup> - Night light section <b>#DL##</b> <sup>11</sup> - Daylight section <b>#GTD##</b> <sup>11,12,13,14</sup> - Generator transfer device section <b>NA</b> - None  <sup>9</sup> Specify with multi circuit (#MC) electrical option only. <sup>10</sup> Provide drawing or layout specifications. Consult factory for other configurations. Default section length is 4'. <sup>11</sup> Specify quantity (#), and section length in inches (##). <sup>12</sup> Minimum 4' section. <sup>13</sup> Not available with 347V. <sup>14</sup> Not available for environments where the ambient temperature falls below 0°C (32°F).	<b>TF</b> - Top feed	<b>STS</b> - Stem, standard <b>STC()</b> - Stem, custom  <sup>15</sup> See page 2 for ordering details.	<b>W</b> - Matte white <b>AL</b> - Aluminum <b>CF#</b> - Custom finish, specify RAL#	<b>NATA</b> - Natatorium finish <b>NA</b> - None

PENDANT  
DIRECT  
STATIC WHITE

## Pendant Mounting Code

### Standard

For a standard mounting, please refer to the information below.

#### MOUNTING

##### STS - Stem, standard

Ø5" for power canopy  
Ø5" for non-power  
Canopies are white  
Stem finish is the same color as fixture  
Stem length is 18"  
Stem is not field adjustable

### Custom

#### Stem

For a custom mounting, specify the options in the parentheses.

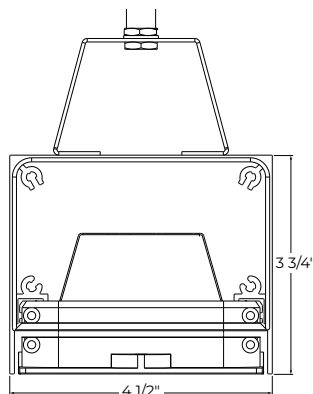
Example: STC(5NPC-36IN-W-STW)

#### MOUNTING

##### STC()

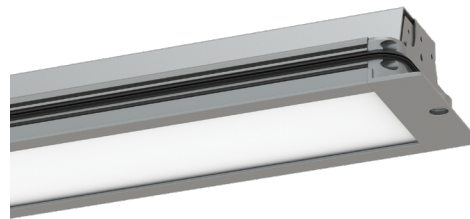
	NON-POWER CANOPY SIZE	STEM LENGTH	CANOPY FINISH	STEM COLOR
<b>STC</b>	<b>5NPC</b> - Ø5" non-power canopy	<b>18IN</b> - 18" <b>36IN</b> - 36" <b>#IN</b> <sup>1</sup> - Specify length in inches  <sup>1</sup> Minimum length is 6". Maximum length is 72". Stem is not field adjustable.	<b>W</b> - White <b>AL</b> - Aluminum <b>B</b> - Black <b>CF#</b> - Custom finish, specify RAL#	<b>STW</b> - White <b>STAL</b> - Aluminum <b>STB</b> - Black <b>STCF#</b> - Custom finish, specify RAL#

## SECTION VIEW



VIAWETP

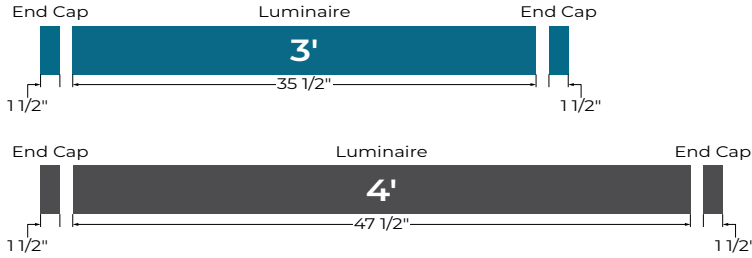
## OPTIC AND PROTECTIVE OPTIC



TMG + HLO - Tempered Clear Glass with High-Efficiency Lambertian Optic

## Row Configurations and Mounting Spacing

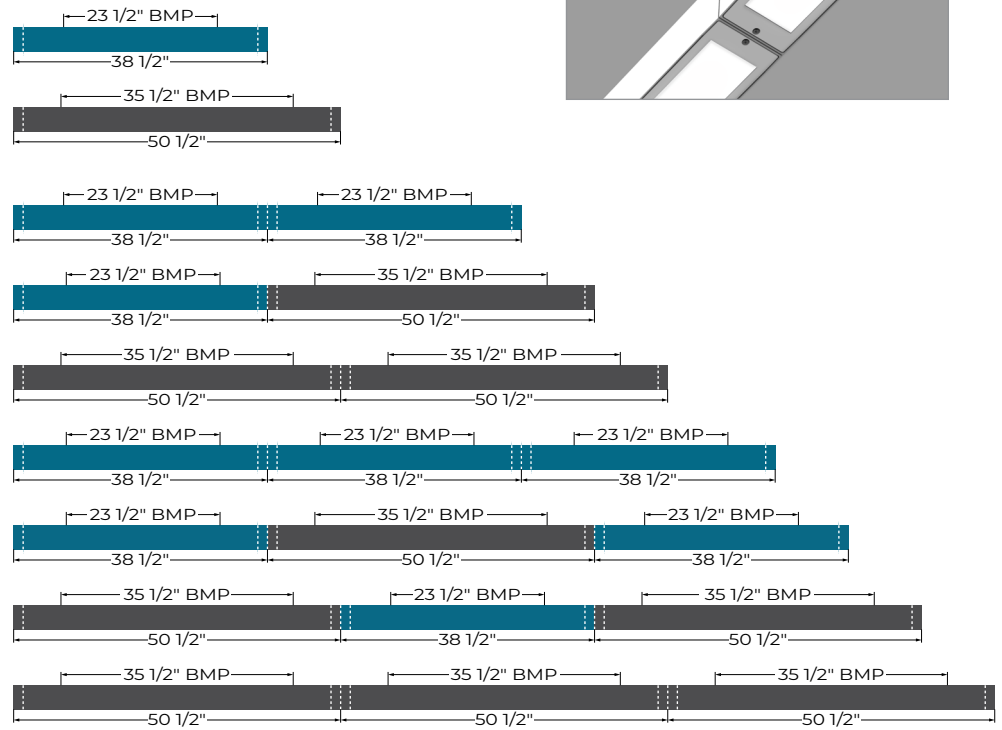
### LUMINAIRE LENGTHS AND ENDCAPS



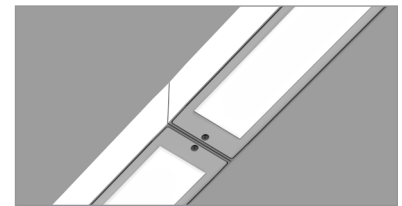
### ROW CONFIGURATIONS AND MOUNTING SPACING

SECTIONS		TOTAL LENGTH	
3ft	4ft	Nominal	Actual
1X		3'	38 1/2"
	1X	4'	50 1/2"
2X		6'	77 1/16"
1X	1X	7'	89 1/16"
	2X	8'	101 1/16"
3X		9'	115 5/8"
2X	1X	10'	127 5/8"
1X	2X	11'	139 5/8"
	3X	12'	151 5/8"

BMP = Distance Between Mounting Points



### 3D LUMINAIRE JOINING SECTION



For longer run please use the same logic

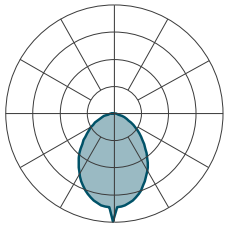
# VIA WET

PENDANT  
DIRECT  
STATIC WHITE

LUMENWERX

## Photometrics

Values calculated based on a 4 ft fixture at 35K and 80 CRI, and apply to all optics and protective optics.



LM/FT	W/FT	LPW
500	5.6	89
750	8.6	87
1000	11.8	85

### MULTIPLIER TABLE

Use the table to get results for different color temperatures and CRI for all photometric tables.

#### Multiplier - CCT/CRI

CCT (K)	WATTS		LPW	
	CRI 80	CRI 90	CRI 80	CRI 90
2700	1.05	1.27	0.95	0.79
3000	1.02	1.23	0.98	0.81
3500	1.00	1.19	1.00	0.84
4000	1.00	1.19	1.00	0.84
5000	0.96	1.12	1.04	0.89

## Technical Specifications

### OPTICS AND PROTECTIVE OPTICS

Via Wet is available with a clear tempered glass (**TMG**) or a clear, UV stabilized polycarbonate (**PYC**) protective enclosure, which are installed outside of the luminaire optic itself.

The Precision Micro-Prism Optic (**PMO**) option utilizes a special catadioptric lens with a two-dimensional array of prisms designed to eliminate glare while maintaining high efficiency and clean luminous appearance. The High-Efficiency Lambertian Optic (**HLO**) option uses a diffuser that combines 88% transmission with good source obscuration.

### LIGHT SOURCE

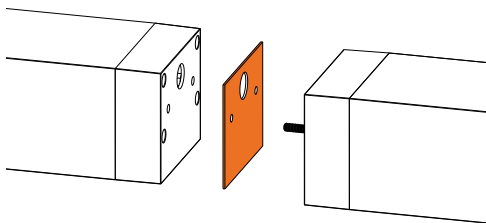
Custom linear array of mid-flux LEDs are cartridge-mounted with quick-connect wiring to facilitate service and thermal management. Available in 2700K, 3000K, 3500K, 4000K and 5000K with a minimum 80 CRI and an option for 90 CRI with elevated R9 value. Color consistency maintained to within 3 SDCM. LEDs operate at reduced drive current to optimize efficacy and lumen maintenance.

All LEDs have been tested in accordance with IESNA LM-80-08 and the results have shown L80 lumen maintenance greater than 60,000 hours. Absolute product photometry is measured and presented in accordance with IESNA LM-79, unless otherwise indicated.

### LUMINAIRE LENGTH

Via Wet is made up of standard 3, and 4 foot sections that can be joined cleanly and securely for continuous runs in all configurations.

### Joining system



All individual sections are joined together onsite using the ¼"-20 screws and nuts provided. The joint between 2 adjacent individual sections is sealed by a silicone gasket attached to one of the 2 sections. The electrical connection between sections is made through the holes provided in the end-caps.

### ELECTRICAL

Factory-set, adjustable output current LED driver with universal (120-277VAC) input. Dimmable from 100% to 1% with 0-10V dimming control. Rated life (90% survivorship) of 50,000 hours at -20°C min. and 40°C max. ambient (and 70°C max. case) temperature. At maximum driver load: Efficiency>84%, PF>0.9, THD<20%. DALI protocol drivers are also available. Power grommet for cable diameter between 0.276" and 0.512" (7-13mm). All of our standard 0-10V drivers are NEMA 410 compliant. An optional low-temperature 10% 0-10V driver, suitable for temperatures down to -40°C/F is also available.

### PoE

Depending on the PoE manufacturer selected, Lumenwerx will install the node in factory as either integral to the luminaire, or as a remote module. Factory programming of the PoE node may or may not enable the following functionalities: lumen package, Duo (tunable white), emergency battery backup, and sensor integration. These must be addressed and evaluated on a case-by-case basis.

### ELECTRICAL SECTION OPTIONS

Electrical section options are available for fixtures specified as multi circuit (#MC). With MC, specify the total number of circuits (#), including any circuits required for optional electrical sections. A drawing is required to specify the layout. Please consult factory for custom configurations.

### Electrical sections

Options include emergency-powered (#EC##), night light (#NL##), daylight (#DL##), and generator transfer device (#GTD##) sections. Specify the quantity (#), as well as the section length in inches (##).

Example 1: A 32' Direct fixture with two 8' emergency-powered sections on a second circuit.

Code: 2MC-2EC96

Example 2: A 24' Direct fixture with one 4' generator transfer device section.

Code: 1MC-1GTD48

### Generator Transfer Device (GTD)

A UL924 listed shunt relay that can bypass both line voltage (120-277V) and 0-10V dimming signal. Suited for ambient temperatures of 0°C (32°F) to 60°C (140°F).

# VIA WET

PENDANT  
DIRECT  
STATIC WHITE

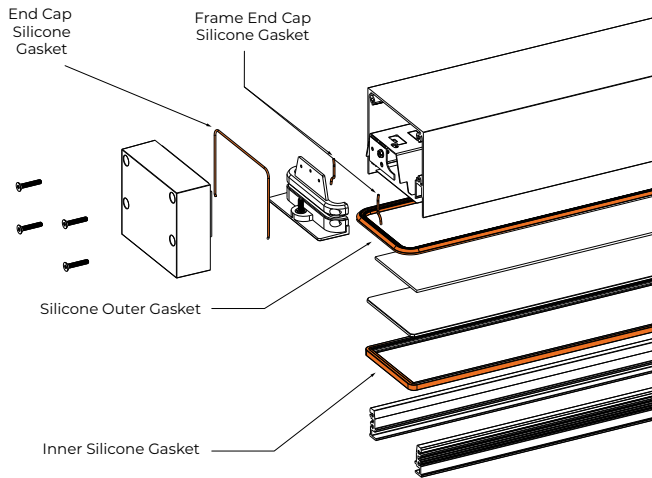
# LUMENWERX

## MOUNTING OPTIONS

Fixtures can be stem-mounted. Unless otherwise specified, Lumenwerx provides the following hardware:

**Standard stem option (STS)** - Canopies are white, Ø5" for both power and non-power. Stem finish is the same color as fixture. Stem length is 18". Stem is not field adjustable. For all other options, see the mounting code on page 2.

## GASKETED FIXTURE OVERVIEW



Lens and enclosure are sealed with inner and outer silicone gaskets

## FINISH

**Interior** - 95%, reflective matte powder coated white paint

**Exterior** - Matte white or aluminum powder coating.

Custom finishes are also available.

## CONSTRUCTION

**Housing** - Extruded aluminum (0.095" nominal) up to 90% recycled content

**Side frame extrusions** - Extruded aluminum (0.125" nominal) up to 90% recycled content

**Interior brackets** - Die formed cold rolled sheet steel 16 gauge thick

**Joining system** - 2 x ¼"-20 screws + nuts accessible from inside the fixture + one silicone gasket attached to one of the end-caps

**Reflectors** - Flat rolled aluminum sheet 0.040" thick precisely die formed, 95% reflective matte white painted

**End cap** - Aluminum die cast

**Stem** - 0.5" diameter threaded steel tube matte white or aluminum powder coating. Custom finishes are also available

**Tempered Clear Glass** - Clear, 1/8" thickness, fully tempered optics

**Clear Polycarbonate** - 1/8" thickness, UV protected optics

**Gaskets** - Fixture lens unit and end-caps are fully sealed using silicone gaskets

**Power grommet** - EPDM rubber rated IP67

## WEIGHT

**Via Wet 4ft** - 18.2 lbs - 8.27 kg

## CERTIFICATION

**ETL** - Rated for Wet location. Conforms to UL Standard 1598 and certified to CAN/CSA Standard C22.2 No. 250.0.

## WARRANTY

Lumenwerx provides a five-year limited warranty of electrical and mechanical performance of the luminaires, including the LED boards, drivers, and auxiliary electronics. Lumenwerx will repair or replace defective luminaires or components at our discretion, provided they have been installed and operated in accordance with our specifications. Other limitations apply, please refer to the full warranty on our website.