

Specification Guide

Get your project started by sharing your projects dimensions and context. Fill in the below fields, and our team will put together a quote.

1 Form <hr/> <table border="0"> <tr> <td><input type="checkbox"/> RI</td> <td>Ring</td> <td><input type="checkbox"/> AU</td> <td>Aurora</td> </tr> <tr> <td><input type="checkbox"/> SW</td> <td>Swirl</td> <td><input type="checkbox"/> EB</td> <td>Ebb</td> </tr> <tr> <td><input type="checkbox"/> GA</td> <td>Galaxy</td> <td><input type="checkbox"/> MO</td> <td>Mobius</td> </tr> <tr> <td><input type="checkbox"/> IM</td> <td>Imagination</td> <td><input type="checkbox"/> RA</td> <td>Rain</td> </tr> <tr> <td><input type="checkbox"/> VE</td> <td>Vector</td> <td><input type="checkbox"/> CH</td> <td>Chandelier</td> </tr> <tr> <td><input type="checkbox"/> FA</td> <td>Facet</td> <td><input type="checkbox"/> TO</td> <td>Topo</td> </tr> <tr> <td></td> <td></td> <td><input type="checkbox"/> CU</td> <td>Custom</td> </tr> </table>	<input type="checkbox"/> RI	Ring	<input type="checkbox"/> AU	Aurora	<input type="checkbox"/> SW	Swirl	<input type="checkbox"/> EB	Ebb	<input type="checkbox"/> GA	Galaxy	<input type="checkbox"/> MO	Mobius	<input type="checkbox"/> IM	Imagination	<input type="checkbox"/> RA	Rain	<input type="checkbox"/> VE	Vector	<input type="checkbox"/> CH	Chandelier	<input type="checkbox"/> FA	Facet	<input type="checkbox"/> TO	Topo			<input type="checkbox"/> CU	Custom	2 Pendant Quantity <hr/> <table border="0"> <tr> <td><input type="checkbox"/></td> <td># of drops</td> </tr> </table>	<input type="checkbox"/>	# of drops	3 Pendant Style <hr/> <table border="0"> <tr> <td><input type="checkbox"/> BO</td> <td>Bokeh</td> <td><input type="checkbox"/> GL</td> <td>Globe</td> </tr> <tr> <td><input type="checkbox"/> PI</td> <td>Pier</td> <td><input type="checkbox"/> FI</td> <td>Fish</td> </tr> <tr> <td><input type="checkbox"/> CB</td> <td>Cube</td> <td><input type="checkbox"/> CA</td> <td>Candle</td> </tr> <tr> <td><input type="checkbox"/> TU</td> <td>Tube</td> <td><input type="checkbox"/> GE</td> <td>Gem</td> </tr> <tr> <td></td> <td></td> <td><input type="checkbox"/> CU</td> <td>Custom</td> </tr> </table>	<input type="checkbox"/> BO	Bokeh	<input type="checkbox"/> GL	Globe	<input type="checkbox"/> PI	Pier	<input type="checkbox"/> FI	Fish	<input type="checkbox"/> CB	Cube	<input type="checkbox"/> CA	Candle	<input type="checkbox"/> TU	Tube	<input type="checkbox"/> GE	Gem			<input type="checkbox"/> CU	Custom	4 LED CCT* <hr/> <table border="0"> <tr> <td><input type="checkbox"/></td> <td>27</td> <td>2700k</td> </tr> <tr> <td><input type="checkbox"/></td> <td>30</td> <td>3000k</td> </tr> <tr> <td><input type="checkbox"/></td> <td>35</td> <td>3500k</td> </tr> <tr> <td><input type="checkbox"/></td> <td>40</td> <td>4000k</td> </tr> </table>	<input type="checkbox"/>	27	2700k	<input type="checkbox"/>	30	3000k	<input type="checkbox"/>	35	3500k	<input type="checkbox"/>	40	4000k
<input type="checkbox"/> RI	Ring	<input type="checkbox"/> AU	Aurora																																																														
<input type="checkbox"/> SW	Swirl	<input type="checkbox"/> EB	Ebb																																																														
<input type="checkbox"/> GA	Galaxy	<input type="checkbox"/> MO	Mobius																																																														
<input type="checkbox"/> IM	Imagination	<input type="checkbox"/> RA	Rain																																																														
<input type="checkbox"/> VE	Vector	<input type="checkbox"/> CH	Chandelier																																																														
<input type="checkbox"/> FA	Facet	<input type="checkbox"/> TO	Topo																																																														
		<input type="checkbox"/> CU	Custom																																																														
<input type="checkbox"/>	# of drops																																																																
<input type="checkbox"/> BO	Bokeh	<input type="checkbox"/> GL	Globe																																																														
<input type="checkbox"/> PI	Pier	<input type="checkbox"/> FI	Fish																																																														
<input type="checkbox"/> CB	Cube	<input type="checkbox"/> CA	Candle																																																														
<input type="checkbox"/> TU	Tube	<input type="checkbox"/> GE	Gem																																																														
		<input type="checkbox"/> CU	Custom																																																														
<input type="checkbox"/>	27	2700k																																																															
<input type="checkbox"/>	30	3000k																																																															
<input type="checkbox"/>	35	3500k																																																															
<input type="checkbox"/>	40	4000k																																																															
5 Canopy <hr/> <table border="0"> <tr> <td><input type="checkbox"/> RC</td> <td>Rectangular (23 x 46.5 x 2")</td> </tr> <tr> <td><input type="checkbox"/> LI</td> <td>Linear (5 x 35" x 2")</td> </tr> <tr> <td><input type="checkbox"/> HX</td> <td>Hex (Ø 18" x 2")</td> </tr> <tr> <td><input type="checkbox"/> LR</td> <td>Large Round (Ø 32" x 2")</td> </tr> <tr> <td><input type="checkbox"/> SR</td> <td>Small Round (Ø 18" x 2")</td> </tr> <tr> <td><input type="checkbox"/> CH__</td> <td>Channel (specify size)</td> </tr> <tr> <td><input type="checkbox"/> RG__</td> <td>Ring (specify size)</td> </tr> <tr> <td><input type="checkbox"/> CU</td> <td>Custom</td> </tr> </table>	<input type="checkbox"/> RC	Rectangular (23 x 46.5 x 2")	<input type="checkbox"/> LI	Linear (5 x 35" x 2")	<input type="checkbox"/> HX	Hex (Ø 18" x 2")	<input type="checkbox"/> LR	Large Round (Ø 32" x 2")	<input type="checkbox"/> SR	Small Round (Ø 18" x 2")	<input type="checkbox"/> CH__	Channel (specify size)	<input type="checkbox"/> RG__	Ring (specify size)	<input type="checkbox"/> CU	Custom	6 Mounting Style <hr/> <table border="0"> <tr> <td><input type="checkbox"/> SM</td> <td>Surface-mounted</td> </tr> <tr> <td><input type="checkbox"/> SP</td> <td>Suspended</td> </tr> </table>	<input type="checkbox"/> SM	Surface-mounted	<input type="checkbox"/> SP	Suspended	7 Canopy Finish* <hr/> <table border="0"> <tr> <td><input type="checkbox"/> BK</td> <td>Black</td> </tr> <tr> <td><input type="checkbox"/> WH</td> <td>White</td> </tr> <tr> <td><input type="checkbox"/> CU</td> <td>Custom</td> </tr> </table>	<input type="checkbox"/> BK	Black	<input type="checkbox"/> WH	White	<input type="checkbox"/> CU	Custom	8 Controls <hr/> <table border="0"> <tr> <td><input type="checkbox"/> ST</td> <td>0-10v</td> </tr> <tr> <td><input type="checkbox"/> SH</td> <td>Shift - individually adressable</td> </tr> </table>	<input type="checkbox"/> ST	0-10v	<input type="checkbox"/> SH	Shift - individually adressable																																
<input type="checkbox"/> RC	Rectangular (23 x 46.5 x 2")																																																																
<input type="checkbox"/> LI	Linear (5 x 35" x 2")																																																																
<input type="checkbox"/> HX	Hex (Ø 18" x 2")																																																																
<input type="checkbox"/> LR	Large Round (Ø 32" x 2")																																																																
<input type="checkbox"/> SR	Small Round (Ø 18" x 2")																																																																
<input type="checkbox"/> CH__	Channel (specify size)																																																																
<input type="checkbox"/> RG__	Ring (specify size)																																																																
<input type="checkbox"/> CU	Custom																																																																
<input type="checkbox"/> SM	Surface-mounted																																																																
<input type="checkbox"/> SP	Suspended																																																																
<input type="checkbox"/> BK	Black																																																																
<input type="checkbox"/> WH	White																																																																
<input type="checkbox"/> CU	Custom																																																																
<input type="checkbox"/> ST	0-10v																																																																
<input type="checkbox"/> SH	Shift - individually adressable																																																																

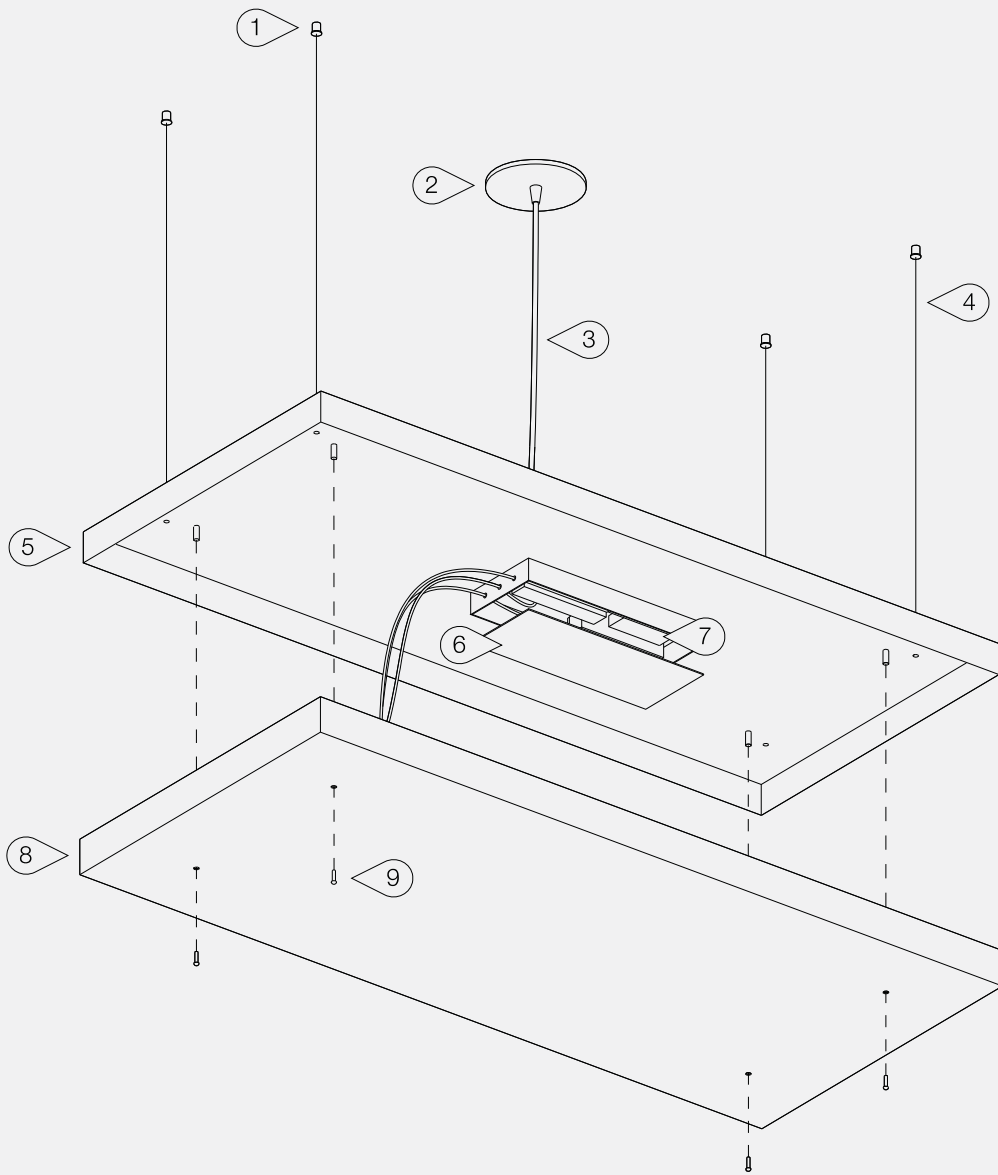
*Color temperature and output dependent on diffuser type.
 *Color matches canopy finish. Contact factory for other options

Specification Code

For each number, make one selection and enter into the corresponding box above. *Indicates modification with additional lead time and/or costs.

LOCI - - - - - - - -

1 2 3 4 5 6 7 8



- 01 - ceiling coupler*
- 02 - canopy and strain relief*
- 03 - 120-277V input
- 04 - aircraft cable*
- 05 - mounting plate
- 06 - wiring compartment
- 07 - class 2 power supply
- 08 - cover plate
- 09 - mounting bolts

* Components included only for suspended fixtures.

Product Specifications

LED

- 1w LED
- Color temperature: 2700-4000K*

Driver

- Input voltage: 120-277V
- Integral class 2 power supply
- Standard 0-10V dimming

Options

- *Shift* dynamic light animation update available
- Custom powder coat finishes for canopies
- Custom pendants and fixture configurations
- Surface-mounted or suspended canopy

* Color temperature and CRI dependent on diffuser type.