

Linealux L3 Lite



The Linealux L3 Lite is a compact, high-performance linear grazer luminaire that combines technology and performance in a stylish design. Packed with features such as EasyGlow™ providing visual comfort technology, and the incredibly flexible adjustable and reversible constant torque bracket system. The Linealux L3 Lite is controllable as a full fixture through the use of PowerSync™ and allows for digital control via common protocols. High-performance optics provide perfect colour-mixing and colour over angle even in the most challenging of grazing applications.



powersync4™ easyglow™ cooldrive™ microantileach™

Performance

Static White & Colour	Lumen Output (lm)	Efficacy (lm/W)	Peak Intensity (cd)
● 2,700 K (80 CRI)	3,639	72.8	138,472
● 3,000 K (80 CRI)	3,962	79.2	150,781
○ 3,500 K (80 CRI)	3,639	72.8	138,472
● 4,000 K (80 CRI)	4,124	82.5	156,935
● 5,000 K (70 CRI)	3,962	79.3	150,781
● Red	1,860	–	–
● Green	3,260	–	–
● Royal Blue	2,200	–	–

Static white lumen output values are based on 9W / ft, 4ft luminaire with 6° lens.

Dynamic Colour	Lumen Output (lm)	Efficacy (lm/W)	Peak Intensity (cd)
● RGB with Royal Blue	1,650	–	–

Dynamic colour lumen output values based on 9W / ft, 4ft luminaire with 6° lens.

Beam Angles	6°, 15°, 30°, 45°, 60°, 40° x 10°, 40° x 20°, 60° x 10°, 60° x 20°
-------------	--

Products and specifications are subject to change without notice.

Electrical

LED Power	9W / ft
Consumption	27W (2 ft), 47W (4 ft)
Lifetime (L70)	>60,000hrs (B10, L70, TM21)
Input Voltage	120-277 V, 50/60 Hz
Thermal Management	CoolDrive™ onboard thermal monitoring and control.

Control

Interface	Lumascap PowerSync™
Protocols	DMX/RDM, Artnet, PWM ¹ , 0-10V (sink or source) ¹
PWM Frequency	2,000Hz flicker free dimming to 0.1%
Systems	Range of third-party controllers

Some protocols require additional hardware. For details and for other available protocols contact Lumascape.

¹Not available for Colour Changing

Physical

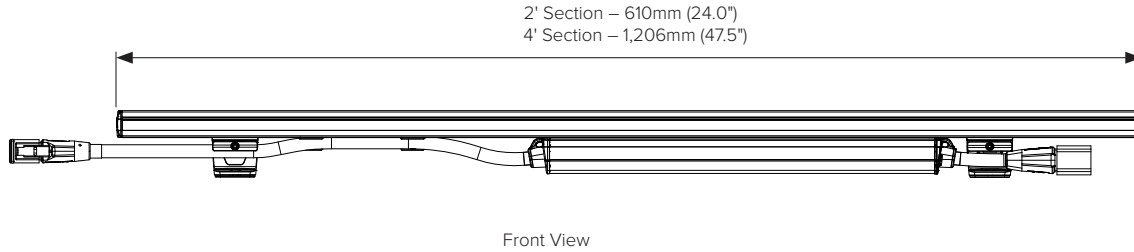
Housing	Extruded marine grade aluminum, tempered glass lens
Finish	Superior 9-step powder-coating process, including marine epoxy undercoat and polyester top coat.
Installation	Surface-mounted with galvanic isolator
Adjustable	Multi-positional, constant torque locking hinges
Ambient Operating Temperature	-40°C to 50°C (-40°F to 122°F)
Surface Temperature	≤50°C (122°F)
Weight	4' section - 2.9kg (2.0lb)

Certification & Compliance

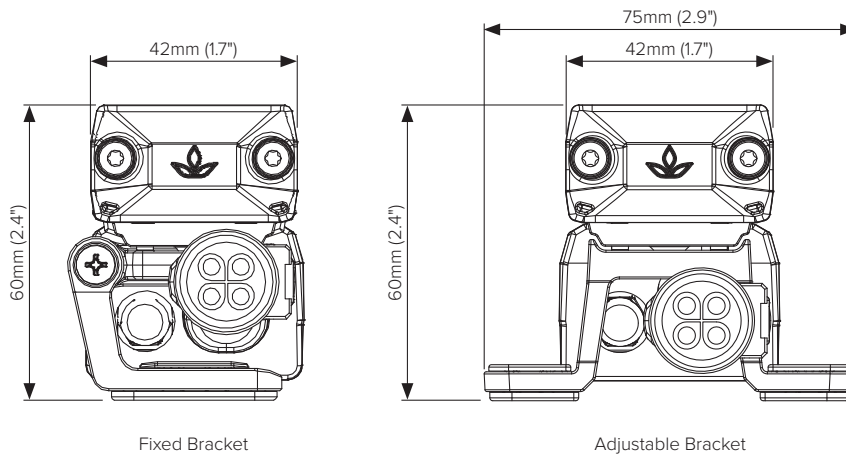
IP Rating	IP66 / IP67
IK Rating	IK6 (pending)
Vibration Resistance	3G Rating (ANSI C136.31)
Environment	Dry, Damp, Wet locations
Certifications	ETL, CE, RCM

Products and specifications are subject to change without notice.

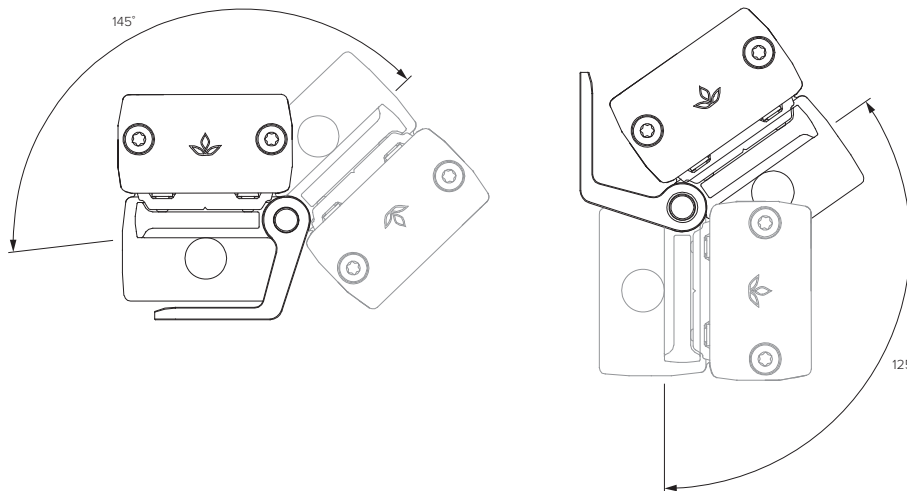
Technical Drawings



Brackets



Luminaire Rotation



Products and specifications are subject to change without notice.



Power	Code
9W / ft	09

Control	Code
Non-Dim	ND ⁽¹⁾
Powersync™	PS ⁽²⁾

- (1) For single colour, non-dimming applications only.
- (2) Required for all dimming and colour changing applications. LS6540 Data Injector required - order separately

Static White & Colour	Code
2,700 K (80 CRI)	827
3,000 K (80 CRI)	830
3,500 K (80 CRI)	835
4,000 K (80 CRI)	840
5,000 K (70 CRI)	750
Red	RED
Green	GRN
Royal Blue	RBL

Beam	Code
6°	VN ⁽¹⁾
15°	NM
30°	ME
45°	WD
60°	WF
40° x 10°	NH
60° x 10°	LH
40° x 20°	MH
60° x 20°	WH

(1) Not recommended for color mixing

Finish	Code
Black	BL
Anthracite Grey	AG
Basalt Grey	BT
Anodic Silver	SL
White	WT
Dark Bronze	DB
Latte	LT
Dark Aluminum	DA
Custom RAL	CC ⁽¹⁾

(1) Please provide RAL colour.

Dynamic Colour	Code
RGB with Royal Blue	3BX

Length	Code
2' - 610mm (24.0")	2
4' - 1,208mm (47.5")	4

Luminaire Gap	Code
End-To-End (ETE)	000 ⁽¹⁾
0.3m (1') Gap	001
0.6m (2') Gap	002
0.9m (3') Gap	003
1.8m (6') Gap	006

(1) Default - Minimum length for ETE connection.

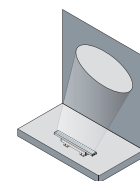
Connection Type	Code
Flexible cable, single entry, for hard wired installations	84
Flexible cable, single entry, for connectorised installations	77
Flexible cable, double entry, for connectorised installations	73

For other cable entry options contact factory.

Mounting	Code
Adjustable Bracket	A
Fixed Bracket	B

Input Voltage	Code
110-240V, 50/60Hz	01 ⁽¹⁾
120-277V, 50/60Hz	09 ⁽²⁾

- (1) International market
- (2) North American market



Beam Orientations
Beam Orientation for the NH, MH and WH optical system.

Products and specifications are subject to change without notice.

Shielding & Glare Control

A variety of shielding and glare control options are available for the Linealux L3 Series. The images below depict the one foot version of the luminaire but glare control accessories are available from 1ft to 4ft in length to suit any base luminaires.



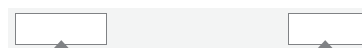
Visor Length	Code	Finish	Code
External / Slatted Louvre - 2'	LS6237-2	Black	BL
External / Slatted Louvre - 4'	LS6237-4		

External / Slatted Louvre



Visor Length	Code	Finish	Code
External Shield / Visor 1-sided - 2'	LS6238-2	Black	BL
External Shield / Visor 1-sided - 4'	LS6238-4	Anthracite Grey	AG
		Basalt Grey	BT
		Anodic Silver	SL
		White	WT
		Dark Bronze	DB
		Latte	LT
		Dark Aluminum	DA
		Custom RAL	CC ⁽¹⁾

External Shield / Visor 1-sided



Louvre Length	Code	Finish	Code
External Shield / Visor 3-sided - 2'	LS6239-2	Black	BL
External Shield / Visor 3-sided - 4'	LS6239-4	Anthracite Grey	AG
		Basalt Grey	BT
		Anodic Silver	SL
		White	WT
		Dark Bronze	DB
		Latte	LT
		Dark Aluminum	DA
		Custom RAL	CC ⁽¹⁾

External Shield / Visor 3-sided



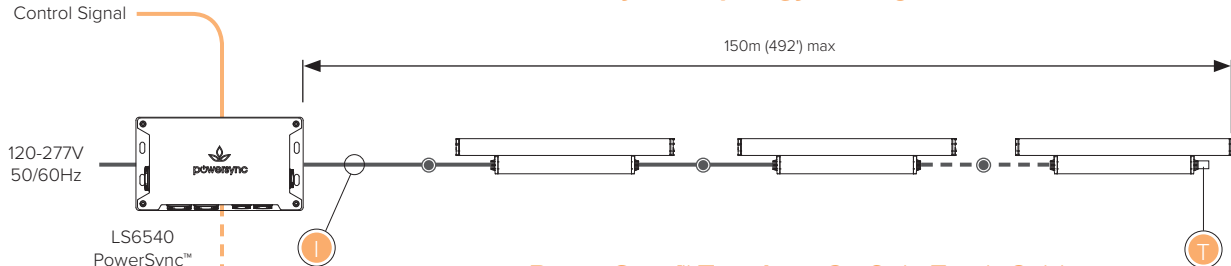
(1) Please provide RAL colour.

(1) Please provide RAL colour.

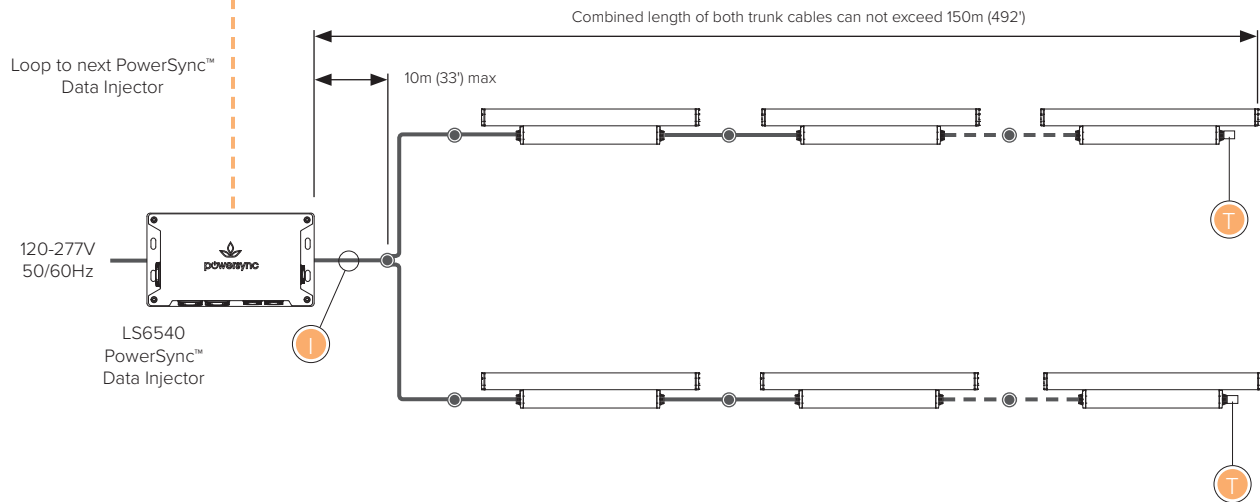
Products and specifications are subject to change without notice.

Network Topology - PowerSync™ Dimmable

PowerSync™ Topology 1 - Single Trunk Cable



PowerSync™ Topology 2 - Split Trunk Cable



Up to 45 luminaires per run under the following conditions:

- Max total cable run length 150m (492') in up to two trunk cables
- For run lengths in excess of 30m (100'), the data wire gauge cannot exceed 14 AWG (2.5mm²)
- For run lengths up to 30m (100'), the data wire gauge is not governed
- Refer to 'Maximum Circuit Load' table for circuit limitations
- Always observe local electrical codes for branch circuit current limitations

T Terminator
Use PowerSync™ terminator, supplied with leader cable to terminate last luminaire in chain.

I Maximum Current
≤16.0A through cables and connectors supplied by Lumascape
≤12.8A applies to connectorised installations in North America

● Connection Type
Circuits can be configured as either connectorised or hardwired. For details consult installation instructions and comply with local electrical codes.

Maximum Circuit Load

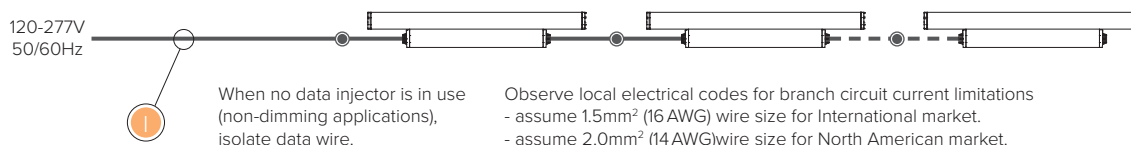
Maximum Number of Interconnected Fixtures							
Luminaire Length	LED Power	120V		240V		277V	
		12A	16A	12A	16A	12A	16A
2ft	-	45	45	45	45	45	45
	-	40	45	45	45	45	45
4ft	-	42	42	45	45	45	45
	-	20	26	40	45	45	45

Refer to PowerSync™ installation manual for maximum distance information and topology options.
All connectorised options in North America are limited to 12.8A branch circuit load.
For non-continuous runs contact factory for details.
Local wiring rules and requirements may limit circuit loadings. Refer to relevant electrical parameters to calculate.

NOTE: The above diagrams are intended to show electrical pathways between luminaires and ancillary device. These diagrams are not intended to show type or colour of cord / wire, luminaire input voltage rating, wire gauge or approved use of the cord / wire supplied with luminaires.

Products and specifications are subject to change without notice.

Network Topology - Non-Dimmable



Up to 45 luminaires per run under the following conditions:

- Refer to 'Maximum Circuit Load' table for circuit limitations
- Always observe local electrical codes for branch circuit current limitations

1 Maximum Current
 ≤16.0A through cables and connectors supplied by Lumascape
 ≤12.8A applies to connectorised installations in North America

2 Connection Type
 Circuits can be configured as either connectorised or hardwired. For details consult installation instructions and comply with local electrical codes.

Maximum Circuit Load

Maximum Number of Interconnected Fixtures							
Luminaire Length	LED Power	120V		240V		277V	
		12A	16A	12A	16A	12A	16A
2ft	-	45	45	45	45	45	45
	-	40	45	45	45	45	45
4ft	-	42	42	45	45	45	45
	-	20	26	40	45	45	45

Refer to PowerSync™ installation manual for maximum distance information and typology options.
 All connectorised options in North America are limited to 12.8A branch circuit load.
 For non-continuous runs contact factory for details.
 Local wiring rules and requirements may limit circuit loadings. Refer to relevant electrical parameters to calculate.

NOTE: The above diagrams are intended to show electrical pathways between luminaires and ancillary device. These diagrams are not intended to show type or colour of cord / wire, luminaire input voltage rating, wire gauge or approved use of the cord / wire supplied with luminaires.

Products and specifications are subject to change without notice.

powersync[™] Connected Accessories

Cables & Connectors (For Connection Type 73 / 77)

Leader & Jumper Cables (1.5mm ²) - International Market	Code
Leader Cable 10m [32'] (4 x 1.5mm ²)	LS6402C-032
Leader Cable custom length in feet - 30m [98'] max. (4 x 1.5mm ²)	LS6402C-xxx
Jumper Cable 0.3m [1'] fixture gap spacing (4 x 1.5mm ²)	LS6404C-001
Jumper Cable 0.6m [2'] fixture gap spacing (4 x 1.5mm ²)	LS6404C-002
Jumper Cable 1.2m [4'] fixture gap spacing (4 x 1.5mm ²)	LS6404C-004
Jumper Cable 3m [10'] fixture gap spacing (4 x 1.5mm ²)	LS6404C-010
Jumper Cable custom fixture gap spacing in feet - 30m [98'] max. (4 x 1.5mm ²)	LS6404C-xxx

Leader & Jumper Cables (2.5mm ²) - International Market	Code
Leader Cable 10m [32'] (4 x 2.5mm ²)	LS6402C-2.5-032
Leader Cable custom length in feet - 30m [98'] max. (4 x 2.5mm ²)	LS6402C-2.5-xxx
Jumper Cable 0.3m [1'] fixture gap spacing (4 x 2.5mm ²)	LS6404C-2.5-001
Jumper Cable 0.6m [2'] fixture gap spacing (4 x 2.5mm ²)	LS6404C-2.5-002
Jumper Cable 1.2m [4'] fixture gap spacing (4 x 2.5mm ²)	LS6404C-2.5-004
Jumper Cable 3m [10'] fixture gap spacing (4 x 2.5mm ²)	LS6404C-2.5-010
Jumper Cable custom fixture gap spacing in feet - 30m [98'] max. (4 x 2.5mm ²)	LS6404C-2.5-xxx

Leader & Jumper Cables - North America Market	Code
Leader Cable 10m [32'] (4 x 14AWG)	LS6402U-032
Leader Cable 8m [26'] (4 x 14AWG)	LS6402U-026
Leader Cable 15m [50'] (4 x 14AWG)	LS6402U-050
Leader Cable specify custom length in feet - 30m [98'] max. (4 x 14AWG)	LS6402U-xxx
Jumper Cable 0.3m [1'] fixture gap spacing (4 x 14AWG)	LS6404U-001
Jumper Cable 0.6m [2'] fixture gap spacing (4 x 14AWG)	LS6404U-002
Jumper Cable 1.2m [4'] fixture gap spacing (4 x 14AWG)	LS6404U-004
Jumper Cable 3m [10'] fixture gap spacing (4 x 14AWG)	LS6404U-010
Jumper Cable specify custom fixture gap spacing in feet - 30m [100'] max. (4 x 14AWG)	LS6404U-xxx

All connectorised options in North America are limited to 12.8 A branch circuit load.

Terminator	Code
DMX Terminator Hardwired (CCC, CE, UL)	LS6407
PowerSync [™] Terminator Hardwired, Mains / Low Voltage (CCC, CE)	LS6406-01
PowerSync [™] Terminator Hardwired, Mains / Low Voltage (UL)	LS6406-09
PowerSync [™] Terminator Connectorised, Mains Voltage (CCC, CE, UL)	LS6417

Note: A terminator ships with every leader cable. Order separately for spare parts and split runs only.

PowerSync [™] Splitters	Code
PowerSync [™] Y - Connector (4 x 1.5mm ²), Mains Voltage (CCC, CE)	LS6425C
PowerSync [™] Y - Connector (4 x 2.5mm ²), Mains Voltage (CCC, CE)	LS6425C-2.5
PowerSync [™] Y - Connector (4 x 14AWG), Mains Voltage (UL)	LS6425U

Products and specifications are subject to change without notice.

Wire Colours & Designations

Mains Voltage - International Market

Designation	Colour
Active	Brown
Neutral	Blue
Earth	Green / Yellow
Data	Black



Mains Voltage - North American Market

Designation	Colour
Active	Black
Neutral	White
Earth	Green / Yellow
Data	Grey [or Red]



Products and specifications are subject to change without notice.