

# AURORA - Hybrid Technology

Aurora offers a convenient and reliable solution for exit signage with unrivaled operating costs. During normal power conditions, Aurora's LEDs illuminate and charge the photoluminescent display letters. When power is disrupted to the unit, the letters glow for the required 90 minutes, eliminating the need for Batteries or external light source excitation.

Sleek and modern, Aurora's 5/8" profile blends well wherever an inconspicuous fixture is preferred. Single and double face models are constructed from high quality, die cast aluminum housing and are available in fine-grain brushed aluminum, solid red, pure white, solid black or custom finishes to order.



Brushed aluminum finish



Red Finish  
(Also available in white, and black finishes)

## Construction

- Elegantly thin 5/8" Pressure Die Cast Aluminum. Available in Fine Grain Brushed Aluminum or powder coat finish in Red, White or Black. Custom finishes are available to order
- Light Guide, light engine, photoluminescent panel and electrical connectors are neatly housed in a single injection-molded frame assembly with flexible circuit board and simple mating connector
- Mounts to standard 4S Junction box in Wall, Canopy or Pendant mount configurations
- Unique snap fit housing design eliminates unsightly hardware
- Removable face with field selectable Chevron directional indicators
- Low profile canopy for universal end or top mount application
- Hang Straight 1/2" Extruded Aluminum matching Tube Pendant and adaptors
- Optional polycarbonate face shield with snap-fit installation ideal for vandal resistant and low level applications (U.L. listed for floor proximity installation)

## Electrical

- LED/Phosphor fusion technology delivers exceptional energy efficiency with just 2-watts total power consumption for either single or double face models
- Zero batteries, eliminates costly monthly battery testing and routine battery replacement and disposal
- Maintenance free, fully automatic operation
- Custom photoluminescent panel charges in the AC mode without reliance on external light sources providing self-sufficiency in outage conditions
- Solid State circuitry provides optimum condition power supply for the LED's which are powered at less than 50% of their rated operating current ensuring minimal heat dissipation and subsequent exceptional LED life predicated to maintain 80% luminosity after 20 years continuous operation.
- 120 or 277 VAC field selectable input
- UL and CSA listed as standard "Suitable for use in damp locations 10° - 40° C"

## Illumination

- Unique injection molded 3mm refractive light guide provides excitation for the photoluminescent material while also producing flawless legend uniformity
- Industry standard 6" high letters with 3/4" stroke with 100' visibility rating in both Normal and Emergency operation
- Legend is vibrantly illuminated at 18fL in the normal mode (AC LED powered) - 7 times the minimum UL 924 requirement at a 100' viewing distance
- Emergency mode illumination is provided by the pre-charged photoluminescent panel, which glows with a luminance sufficient to meet the 100' visibility rating at the end of the required 90 minutes duration
- Aurora end duration luminance is typically twice as bright as traditional photoluminescent signs that require larger lettering and housings with poor pale yellow legend and contrast, under normal ambient light conditions
- Maintenance free LED light source with 25+ year's life expectancy

## Certification

- Tested, approved and listed by Underwriters Laboratories to UL 924, meets CSA C22.2 No. 141-10, NFPA 101, NFPA 70-NEC and OSHA requirements

## Warranty

- 5-Year Limited Warranty



## ORDERING GUIDE - AUR

**Example:** AUR-1-BA-CN-RS

Model	No. of Faces	Body Color	Mounting	Options
<b>AUR</b> Aurora Hybrid	1 Single 2 Double U* Universal  <i>* Universal includes two faces, backplate and canopy</i>	<b>BK</b> All Black <b>WH</b> All White <b>BA</b> All Brushed Aluminum <b>RD</b> Red <b>CC</b> Custom Color	<b>1B</b> Back mount No canopy <b>CN</b> Canopy Mounting Kit (Universal End/Ceiling) <b>PA</b> 12" Hang Straight Pendant Mount <b>PB</b> 24" Hang Straight Pendant Mount <b>PC</b> 36" Hang Straight Pendant Mount <b>PD</b> 48" Hang Straight Pendant Mount <b>PE</b> 60" Hang Straight Pendant Mount <b>PF</b> 72" Hang Straight Pendant Mount	<b>RS</b> Polycarbonate Security Cover <b>M990010</b> Wire Guard (Wall Mount Only)
<b>AUR</b>				

Fill in fields from categories above and complete type and part number.

Type Number:

Full Part Number:

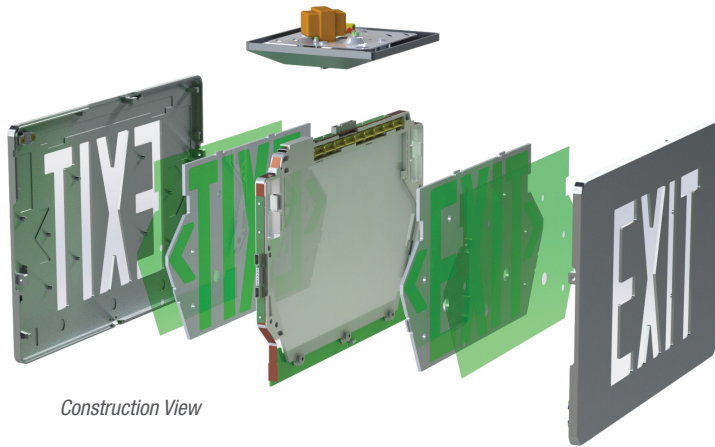
# AURORA – Die Cast Aluminum Hybrid Exit Signs



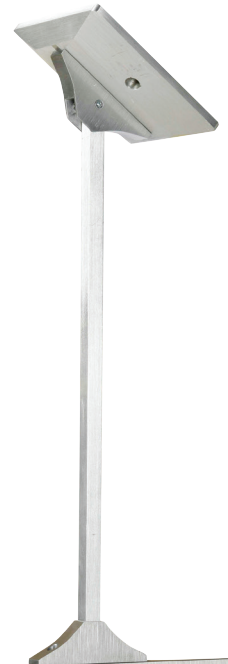
Black Finish



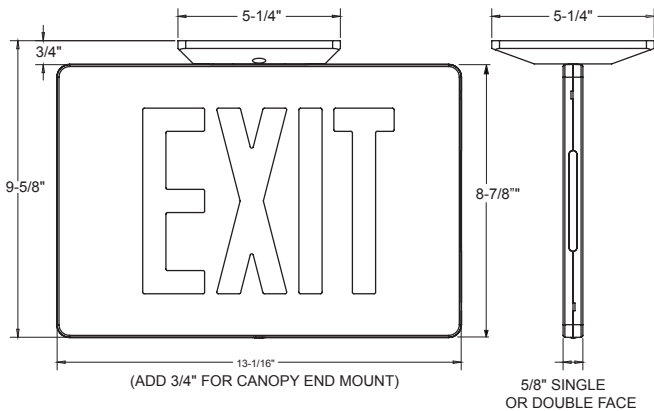
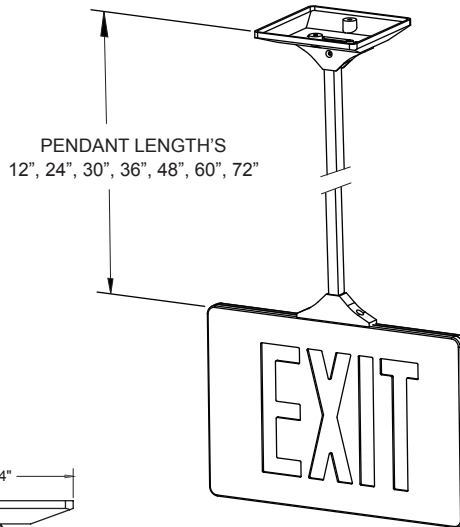
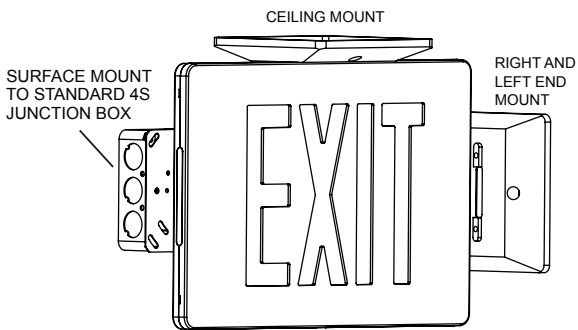
White Finish



Construction View



Brushed Aluminum Finish with Hang Straight Pendant



Optional Vandal-resistant snap lock clear polycarbonate cover. Available for Single or Double face signs in all mounting configurations. Listed for floor proximity installation.

