

JOB NAME _____

CONTACT _____

ORDERING CODE _____

ORDERING CODE

PART NUMBER	350431	
DELIVERED LUMENS	22LM	2200lm
CCT	30K 35K	3000K 3500K
CRI	90	90 CRI
OPTICS	25 36 60	25° 36° 60°
VOLTAGE	120	120V
DIMMING	ELV	Trailing Edge (ELV) Dimming
FINISH	WH BK	white black
MOUNTING OPTIONS¹	ECOBK ECOWH	ECO/HALO black ECO/HALO white

VICE Track Spot Line Voltage



ORDERING CODE _____

Follow the steps to specify your fixture, example:
350431 - 22LM - 30K - 90 - 25 - 120 - ELV - BK - ECOBK

NOTES
 1. Mounting finish must match fixture finish.

DESCRIPTION

VICE is a line voltage track spot with 2200lm in 3000K or 3500K at 90CRI. Offered in white or black finish with 25°, 35° or 60° beam options. ELV Dimming. For ECO single circuit track.

HOUSING

- Extruded aluminum housing with black or white finish.

MOUNTING

- ECO Track / Halo® Power Trac only

ELECTRICAL/CONTROLS

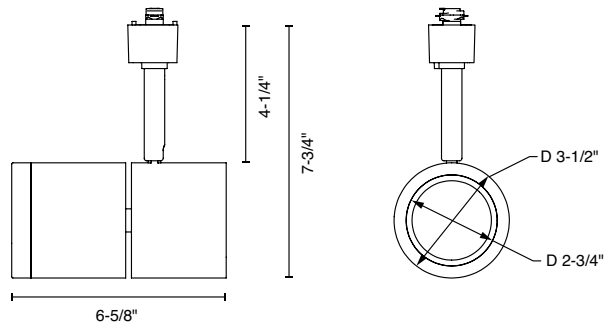
- 120Vac, 50-60Hz input, 20W
- Phase dimmable
- Trailing Edge (ELV) dimming

LED INFO

- LED: Citizen CLU038-1206
- SDCM: 3-step MacAdam Ellipse
- Lumen Maintenance: L₇₀ > 50,000 hrs

LISTING

- ETLus Listed to UL1574 (track suitable for dry locations only)
- cETL Listed to CSA C22.2 #9.0



ACCESSORIES

- K20272WH ECO-monopoint, white
- K20272BK ECO-monopoint, black

