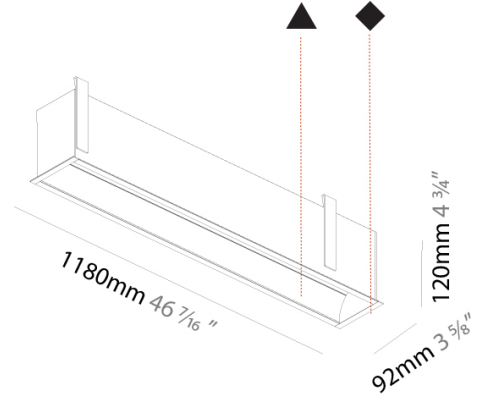


Date: \_\_\_\_\_ Project: \_\_\_\_\_  
 Fixture Type: \_\_\_\_\_ Specifier/Rep: \_\_\_\_\_



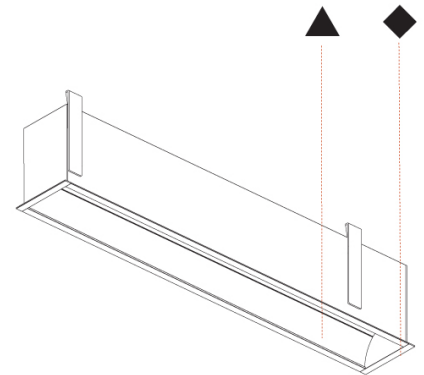
Certified by us CSA certified, listed to UL & CSA Standards

Available for **International** specifications by adding "INT" at the end of the existing Model # International spec sheets are available upon request

Exact Measurements: Metric

|                           |   |
|---------------------------|---|
| <b>Model:</b>             | L35660-   |
| <b>Installation:</b>      | Recessed - Ceiling/Wall - Remodel (Non-IC)          |
| <b>Color Temperature:</b> | 3000K / 3500K / 4000K                               |
| <b>Nominal Lumen:</b>     | 1370lm / 1421lm / 1450lm                            |
| <b>CRI:</b>               | 80  |
| <b>Fixture Finish:</b>    | Download Color/Finishes pdf or Spec Sheet Appendix. |
| <b>Diffuser:</b>          | White PMMA  |
| <b>Fixture Material:</b>  | Aluminum  |
| <b>Lamp Type:</b>         | LED (Zhaga Standard)                                |
| <b>Input Wattage:</b>     | 20.2W   |
| <b>Input Voltage:</b>     | 120Vac  |
| <b>IP Rating:</b>         | IP20  |
| <b>Width:</b>             | 92mm / 3 5/8"                                       |
| <b>Length:</b>            | 1180mm / 35 7/16"                                   |
| <b>Height:</b>            | 120mm / 4 3/4"                                      |
| <b>Dimming:</b>           | Phase Dimming (Trailing & Leading edge) or 0-10V    |

For Color / Finish Chart & Symbology see Appendix or product page downloadable area.



|                   |          |          |        |
|-------------------|----------|----------|--------|
| Dimming           | DP Phase | DV 0-10V |        |
| Color Temperature | 30K      | 35K      | 40K °K |
|                   | 3000K    | 3500K    | 4000K  |

ORDER-EXAMPLE: °K   
**L3XXXX-** DV 30K 02 02  
 0-10V 3000K Black Black

**Additional Details**

Refer to chart for suffix codes on spec sheet when ordering.

## Available Sizes and / or Lamping

- Groove - Recessed - 35" - [L35659-] -- 900mm / 35 7/16" - 15.2W
- Groove - Recessed - 57" - [L35661-] -- 1460mm / 57 1/2" - 25.3W
- Groove - Recessed - 68" - [L35662-] -- 1740mm / 68 1/2" - 30.4W

Date: \_\_\_\_\_ Project: \_\_\_\_\_

Fixture Type: \_\_\_\_\_ Specifier/Rep: \_\_\_\_\_

Groove - Recessed - 79" - [L35663-] -- 2020mm / 79 1/2" - 35.4W

# ZANEEN

Date: \_\_\_\_\_

Project: \_\_\_\_\_

Fixture Type: \_\_\_\_\_

Specifier/Rep: \_\_\_\_\_

## Color/Finish Chart:

|  |  |  |  |                               |                                |                                  |
|--|--|--|--|-------------------------------|--------------------------------|----------------------------------|
| <b>00</b><br>natural anodized aluminum | <b>01</b><br>sparkling silver<br>RAL9006FS | <b>02</b><br>black velvet<br>RAL9005FS | <b>03</b><br>crystal white<br>RAL 9016FS | <b>04</b><br>creamy           | <b>05</b><br>hampton bay       | <b>06</b><br>lagoon              |
| <b>07</b><br>urban forest              | <b>08</b><br>in the army                   | <b>09</b><br>rusty angel               | <b>10</b><br>rusty rush                  | <b>11</b><br>milk & chocolate | <b>12</b><br>fade to gray      | <b>13</b><br>mysterious gray     |
| <b>14</b><br>twilight                  | <b>15</b><br>lost dream                    | <b>16</b><br>purple sky                | <b>17</b><br>fresh Oh                    | <b>18</b><br>funky P.         | <b>19</b><br>kissing aphrodite | <b>20</b><br>poseidon's paradise |
| <b>21</b><br>blue sky                  | <b>22</b><br>spring green                  | <b>23</b><br>mellow yellow             | <b>24</b><br>golden heart                | <b>25</b><br>gun metal        | <b>26</b><br>champagne cream   | <b>27</b><br>copper mine         |
| <b>27</b><br>ancient bronze            | <b>29</b><br>jazz gold                     |  |  |                               |                                |                                  |

## Symbols Guide

|  |  |
|--|--|
|  | Available in "00" - "29" with extra charge except "00" |
|  | Available in "00" - "29" finish free of charge         |
|  | Color definition for particular part                   |
|  | Color definition for particular part                   |
|  | Color definition for particular part (insert)          |
|  | Technical features option                              |
|  | Reflector option                                       |
|  | Wattage option   |
|  | Dimming option   |
|  | Housing depth for ceiling thickness option             |
|  | Color choice for 3circuit adaptor                      |
|  | Color combination of frame + 3circuit adaptor          |
|  | Suspension cable features (Length/Color)               |

|  |  |
|--|--|
|  | LED light color option                 |
|  | Diffuser option                        |
|  | Indirect diffuser option               |
|  | Color Temperature choice for LED light |
|  | Dice Wall color insert option          |
|  | Square wall/ceiling cut-out            |
|  | Round wall/ceiling cut-out             |
|  | Ceiling thickness                      |
|  | Minimum recessing depth                |
|  | Tilt range                             |
|  | 360° rotation range                    |
|  | Rotation range                         |