

# LTC-3RDW

LITEISTRY 3" ROUND CYLINDER

## LITEISTRY™

### FEATURES

- 3" architectural LED downlight and wall wash cylinder delivering 600 - 2000 lm
- Five beam distributions from 0.3 to 1.1 Spacing Criteria
- Quiet reflector appearance with 50° optical cutoff
- 2700K - 5000K, 80+ and 90+ CRI options
- Available in Surface, Wall, Pendant, or Cord Mount configurations
- Variety of dimming protocol options including 0-10V, DALI, DMX, Lutron Forward Phase and EcoSystem



### RELATED PRODUCTS

- [LTC-3RDW SpectraSync](#)
- [LTC-3RDWPH PowerHUBB](#)
- [3" LITEISTRY Family](#)
- [4" LITEISTRY Family](#)
- [6" LITEISTRY Family](#)

### CONTROL TECHNOLOGY



### SPECIFICATIONS

#### CONSTRUCTION

- Seamless heavy gauge aluminum cylinder body with a clean appearance
- Select from 4 durable powder coat paint architectural finishes or Brushed Aluminum
- Available in Surface, Wall, Pendant, or Cable/Cord mounting options
- Wall Mount: One piece die cast aluminum mounting arm
- Wall Mount driver is integral in cylinder
- For S, CM, P: Drivers are remote mounted above ceiling (see line art)
- Pendant Mount: Swivel canopy allows sloped ceiling mounting up to 45°
- Integral driver versions allow direct mounting to a standard 4" octagonal or square junction box

#### OPTICS

- Visually pleasing 50° cutoff to source and source image
- The light distribution is free of distracting bright spots or pixelation and the perimeter has a smooth transition
- Optical grade silicone lens integral to light engine
- High purity spun aluminum reflector, self-flanged
- Large selection of anodized finishes and colors
- Painted cones and flange options available

#### ELECTRICAL

- Chip-on-board LED with 2 SDCM
- Multiple CCTs, 80+ or 90+ CRI
- Long LED life: L90 at >55,000 (TM-21)
- Universal voltage 120V–277V driver, 347V optional
- UL Class 2, inherent short circuit and overload protection, RoHS compliant
- Flicker free 0–10V dimming with 1% or <1% performance
- DALI, DMX, and Lutron Forward Phase and EcoSystem options

#### INSTALLATION

- Light Engine/Trim assembly is mechanically secured and includes a retention cable for ease of installation
- A quick connect is provided for easy maintenance or upgrade
- Remote mount driver/jbox assembly requires 6" plenum clearance
- Remote driver is accessible from above or below the ceiling

#### CERTIFICATIONS

- cCSAus certified to UL 1598
- Wall Mount: Suitable for wet locations
- Pendant Mount: Suitable for wet locations under covered ceiling
- Surface, Cord Mount and all Wall Wash: Suitable for damp locations
- This product qualifies as a “designated country construction material” per FAR 52.225-11 Buy American-Construction. Materials under Trade Agreements effective 6/6/2020. See [Buy American Solutions](#).

#### WARRANTY

- 5 year warranty
- See [HLI Standard Warranty](#) for additional information

KEY DATA	
Lumen Range	600-2000
Wattage Range	8-25
Efficacy Range (LPW)	80-86*
Reported Life (Hours)	L90 / >55,000
Input Current (mA)	67-208 (120V)

\*Based on Specular, 35K, 80 CRI



# LTC-3RDW

LITEISTRY 3" ROUND CYLINDER

DATE: \_\_\_\_\_ LOCATION: \_\_\_\_\_

TYPE: \_\_\_\_\_ PROJECT: \_\_\_\_\_

CATALOG #: \_\_\_\_\_

## ORDERING GUIDE

Example: LTC-3RD-P-15L35K9WD-DM1-SS-WH

CATALOG #

LTC-3RD		Cylinder Mounting	Lumen Output	CCT	CRI	Distribution
<b>Aperture/Shape/Function</b>						
LTC-3RD	3" Round Downlight Cylinder	<b>S</b> Surface	<b>06L</b> 600 Lumens	<b>27K</b> 2700K	<b>8</b> 80+ CRI	<b>VNR</b> Very Narrow (0.3 SC/20°) <sup>8</sup>
LTC-3RW	3" Round Wall Wash Cylinder	<b>W</b> Wall	<b>10L</b> 1000 Lumens	<b>30K</b> 3000K	<b>9</b> 90+ CRI	<b>NR</b> Narrow (0.4 SC/29°)
		<b>P</b> Pendant (18" Stem Standard)	<b>15L</b> 1500 Lumens	<b>35K</b> 3500K		<b>MD</b> Medium (0.7 SC/53°)
		<b>CM</b> Cable/Cord (6 ft. Cord Standard) <sup>5</sup>	<b>20L</b> 2000 Lumens	<b>40K</b> 4000K		<b>WD</b> Wide (1.0 SC/59°)
				<b>50K</b> 5000K <sup>1</sup>		<b>XW</b> Extra Wide (1.1 SC/66°)
						<b>WW</b> Wall Wash

Driver Options		Control Options		Voltage	Reflector Finish	Reflector Color	Flange Color Options
<b>DM1</b>	0-10V Dimming to 1% <sup>3</sup>	<b>NXE</b>	NX Enabled, Dual SmartPorts <sup>2,3,7</sup>	Standard 120-277V	<i>Finish not applicable with painted reflectors (WC or BC)</i>		Standard matches reflector color
<b>DM01</b>	0-10V Dimming to <1% <sup>3</sup>	<b>NXWE</b>	NX Wireless Enabled <sup>2,3,7</sup>	<b>34</b> 347V <sup>3,6</sup>	<b>S</b> Specular	<b>CG</b> Champagne Gold	<b>WT</b> White Flange <sup>4</sup> <b>BT</b> Black Flange <sup>4</sup>
<b>DMX</b>	DMX with RDM dimming to <0.1% <sup>3</sup>	<b>NXWD</b>	NX Wireless Enabled, Dual SmartPorts <sup>2,3,7</sup>		<b>SS</b> Semi-Specular	<b>LW</b> Light Wheat	
<b>DALI</b>	DALI Dimming to 1% <sup>3</sup>	<b>LV</b>	Lutron Vive Enabled, 0-10V (requires DM1 driver) <sup>3,7</sup>		<b>MFC</b> American Matte™	<b>PW</b> Pewter	
<b>2DM</b>	Lutron Hi-Lume 2-wire Dimming to 1% (120V Forward Phase only) <sup>3</sup>	<b>LVE</b>	Lutron Vive Enabled, EcoSystem, (requires EDM) <sup>3,7</sup>		<b>VS</b> Softglow®	<b>WC</b> Painted White Cone and Flange	
<b>EDM</b>	Lutron Hi-Lume EcoSystem Dimming to 1% <sup>3</sup>				<b>VSS</b> SoftSheen™	<b>BC</b> Painted Black Cone and Flange	

### Exterior Cylinder Color

<b>BA</b>	Brushed Aluminum
<b>BZ</b>	Bronze
<b>BL</b>	Matte Black
<b>WH</b>	Matte White
<b>SVR</b>	Silver

Notes:

- 5000K available in 80+ CRI only.
- NX requires DM1 driver option.
- For lumen outputs/configurations available, see chart on page 3.
- WT not needed for WC, BT not needed for BC.
- CM standard cord color is Clear.
- 347V requires DM1 driver option; not available with Controls.
- Controls not available with wall mount (W).
- VNR available up to 15L.



# LTC-3RDW

LITEISTRY 3" ROUND CYLINDER

DATE:	LOCATION:
TYPE:	PROJECT:
CATALOG #:	

## DRIVER/CONTROL OPTION AVAILABILITY

Driver and Control options listed below are available in the configurations and lumen packages as shown.

Driver/Control Option		Cylinder Mounting <sup>1</sup>	Integral Remote Driver <sup>1</sup>	06L	10L	15L	20L
DM1	0-10V 1%	W	Integral	●	●	●	●
		S/P/CM	Remote (IC Rated)	●	●	●	●
DM01	0-10V <1%	W	Integral	●	●	●	●
		S/P/CM	Remote (Non-IC)	●	●	●	
DALI	DALI 1%	W	Integral	●	●	●	●
		S/P/CM	Remote (Non-IC)	●	●	●	
DMX	DMX w/ RDM <0.1%	W	Integral		●	●	●
		S/P/CM	Remote (IC Rated)		●	●	
2DM	Lutron Hi-Lume 2-wire 1%	W	Integral		●	●	
		S/P/CM	Remote (Non-IC)		●	●	●
EDM	Lutron Hi-Lume EcoSysteM 1%	W	Integral		●	●	●
		S/P/CM	Remote (Non-IC)		●	●	●
347V <sup>3</sup>	347 Volts (DM1 required)	W	Integral		●	●	●
		S/P/CM	Remote (IC Rated)		●	●	●

NX (All)	NX (DM1 required)	W	N/A				
		S/P/CM	Remote (Non-IC)	●	●	●	●
LV	Lutron Vive® (DM1 required)	W	N/A				
		S/P/CM	Remote (IC Rated)	●	●	●	●
LVE	Lutron Vive® (EDM required)	W	N/A				
		S/P/CM	Remote (Non-IC)		●	●	●

- 1 See Cylinder Mounting chart for details.
- 2 See line art for more details.
- 3 Not available with Controls.

Cylinder Mounting	
W	Wall Mount
S	Surface Mount
CM	Cable/Cord Mount
P	Pendant Mount

## CONTROLS

### NX Distributed Intelligence™ Lighting Controls:

Supports applications in a variety of deployment options- wired, wireless, hybrid. Integrates with and enables a wide array of luminaires including those with SpectraSync™ Color Tuning Technology.



NX INTEGRATED CONTROLS REFERENCE								
NX Option	Sensor	Networkable	Scheduling	Occupancy	Daylight Harvesting	0-10V Dimming	On/off Control	Bluetooth® App Programming
<b>NX Networked – Wired</b>								
NXE	N/A	Yes	Yes	No	No	Yes	Yes	Requires <a href="#">NXBTC/R</a> <sup>1</sup>
<b>NX Networked – Wireless</b>								
NXWE <sup>2</sup>	N/A	Yes	Yes	No	No	Yes	Yes	No <sup>3</sup>
<b>NX Networked – Wired/Wireless</b>								
NXWD	N/A	Yes	Yes	No	No	Yes	Yes	Requires <a href="#">NXBTC/R</a> <sup>1,3</sup>

- 1 NXBTC/R needs to be plugged into an available NX SmartPort™ on the fixture network
- 2 Programming via App requires factory assistance
- 3 To program NXWE option, need to consult factory. If connected to an area controller, programming can be done from that



# LTC-3RDW

LITEISTRY 3" ROUND CYLINDER

DATE: \_\_\_\_\_ LOCATION: \_\_\_\_\_

TYPE: \_\_\_\_\_ PROJECT: \_\_\_\_\_

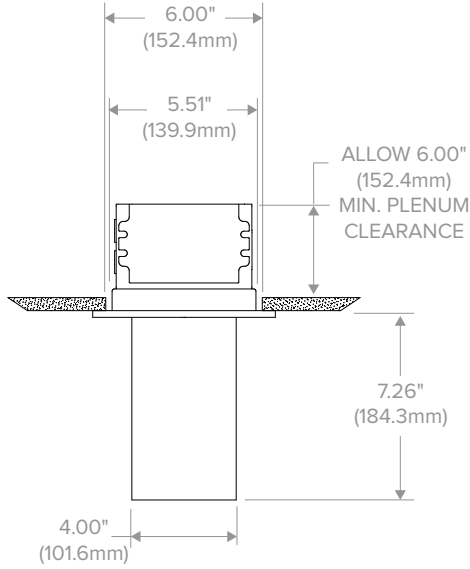
CATALOG #: \_\_\_\_\_

## PERFORMANCE DATA TABLE

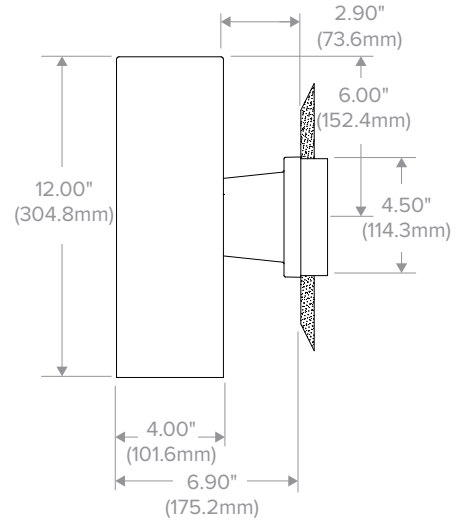
Performance data provided below is for 3500K, 80 CRI with Specular Clear reflector finish/color

Lumen Package	Nominal Lumens	Distribution	Delivered Lumens	Watts	LPW
06L	600	Very Narrow	689	8.0	87
		Narrow	744	7.8	95
		Medium	641	7.8	82
		Wide	663	7.8	85
		Extra Wide	636	7.8	82
		Open Single Wall Wash	560	7.8	72
10L	1000	Very Narrow	1099	12.6	87
		Narrow	1198	11.9	101
		Medium	1032	11.9	87
		Wide	1067	11.9	90
		Extra Wide	1024	11.9	86
		Open Single Wall Wash	901	11.9	76
15L	1500	Very Narrow	1502	18.6	81
		Narrow	1733	18.6	93
		Medium	1493	18.6	80
		Wide	1544	18.6	83
		Extra Wide	1482	18.6	80
		Open Single Wall Wash	1304	18.6	70
20L	2000	Narrow	2103	25.1	84
		Medium	1952	25.1	78
		Wide	1985	25.1	79
		Extra Wide	1945	25.1	77
		Open Single Wall Wash	1804	24.2	75

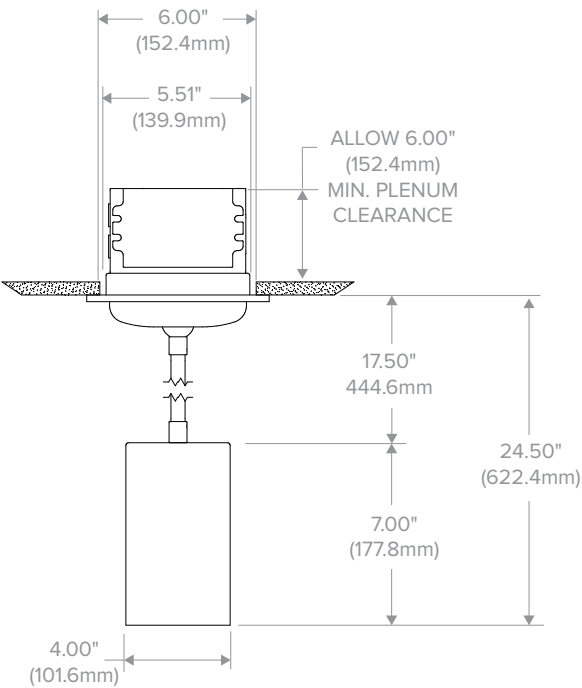
**DIMENSIONS**



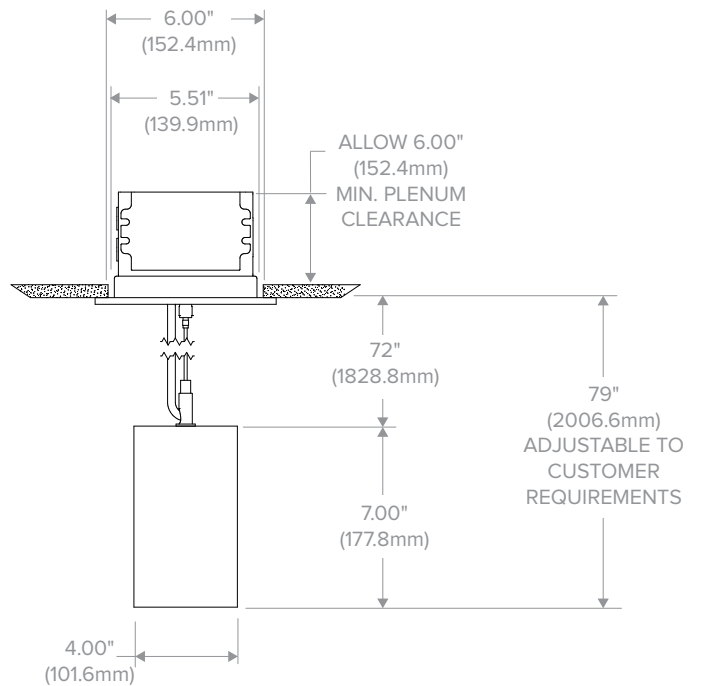
**Surface**



**Wall**



**Pendant**



**Cord**

# LTC-3RDW

LITEISTRY 3" ROUND CYLINDER

## PHOTOMETRY

### LTC-3RD-P-15L35K8VNR-DM1-S-BL

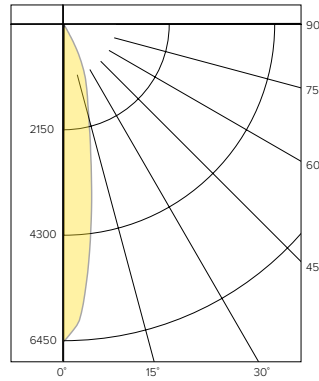
#### LUMINAIRE DATA

Test No.	R20.01326-C01
Description	1500 lm, Very Narrow, 3500K, 80 CRI
Delivered Lumens	1502
Watts	18.6W
Efficacy	81
Mounting	Pendant
Spacing Criterion	0.3
Beam Angle	20

#### ZONAL LUMEN SUMMARY

Zone	Lumens	% Luminaire
0-40	1482	98.7
0-60	1501	99.9
0-90	1502	100.0
0-180	1502	100.0

#### POLAR GRAPH



#### CANDELA DISTRIBUTION

Degree	Candela
0	6446
5	5271
15	1980
25	879
35	119
45	18
55	2
65	1
75	0
85	0
90	0

#### LUMINANCE DATA\*

Vertical Angle	Average
45°	6078
55°	833
65°	565
75°	0
85°	0

\*Candela/Square Meter

### LTC-3RD-P-20L35K8NR-DM1-S-BL

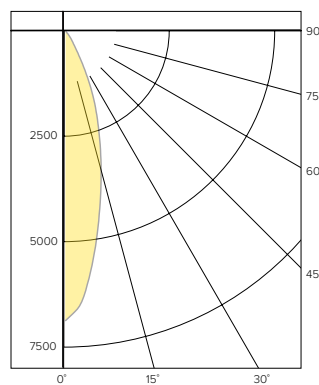
#### LUMINAIRE DATA

Test No.	19.00506
Description	2000 lm, Narrow, 3500K, 80 CRI
Delivered Lumens	2078
Watts	24.1W
Efficacy	86.4
Mounting	Pendant
Spacing Criterion	0.4
Beam Angle FWHM	29

#### ZONAL LUMEN SUMMARY

Zone	Lumens	% Luminaire
0-40	2047	98.5
0-60	2077	99.9
0-90	2078	100.0
0-180	2078	100.0

#### POLAR GRAPH



#### CANDELA DISTRIBUTION

Degree	Candela
0	6859
5	5934
15	2961
25	1243
35	201
45	28
55	2
65	1
75	0
85	0
90	0

#### LUMINANCE DATA\*

Vertical Angle	Average
45°	9292
55°	818
65°	555
75°	0
85°	0

\*Candela/Square Meter

### LTC-3RD-P-20L35K8MD-DM1-S-BL

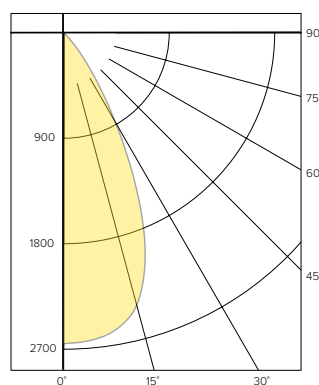
#### LUMINAIRE DATA

Test No.	19.00507
Description	2000 lm, Medium, 3500K, 80 CRI
Delivered Lumens	1924
Watts	24.4W
Efficacy	78.8
Mounting	Pendant
Spacing Criterion	0.8
Beam Angle FWHM	53

#### ZONAL LUMEN SUMMARY

Zone	Lumens	% Luminaire
0-40	1869	97.1
0-60	1922	99.9
0-90	1924	100.0
0-180	1924	100.0

#### POLAR GRAPH



#### CANDELA DISTRIBUTION

Degree	Candela
0	2652
5	2634
15	2406
25	1467
35	453
45	48
55	3
65	1
75	0
85	0
90	0

#### LUMINANCE DATA\*

Vertical Angle	Average
45°	15930
55°	1227
65°	555
75°	907
85°	0

\*Candela/Square Meter

# LTC-3RDW

LITEISTRY 3" ROUND CYLINDER

## PHOTOMETRY CONTINUED

### LTC-3RD-P-20L35K8WD-DM1-S-BL

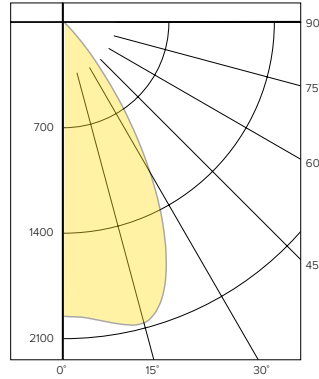
#### LUMINAIRE DATA

Test No.	19.00509
Description	2000 lm, Wide, 3500K, 80 CRI
Delivered Lumens	1963
Watts	24.4W
Efficacy	80.5
Mounting	Pendant
Spacing Criterion	1.0
Beam Angle FWHM	59

#### ZONAL LUMEN SUMMARY

Zone	Lumens	% Luminaire
0-40	1887	94.8
0-60	1961	99.9
0-90	1963	100.0
0-180	1963	100.0

#### POLAR GRAPH



#### CANDELA DISTRIBUTION

Degree	Candela
0	1950
5	1972
15	2062
25	1581
35	658
45	66
55	4
65	2
75	1
85	0
90	0

#### LUMINANCE DATA\*

Vertical Angle	Average
45°	21903
55°	1636
65°	1111
75°	907
85°	0

\*Candela/Square Meter

### LTC-3RD-P-20L35K8XW-DM1-S-BL

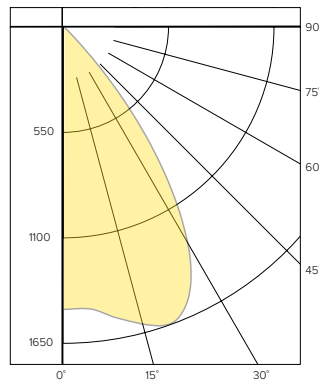
#### LUMINAIRE DATA

Test No.	19.00508
Description	2000 lm, Extra Wide, 3500K, 80 CRI
Delivered Lumens	1942
Watts	24.4W
Efficacy	79.6
Mounting	Pendant
Spacing Criterion	1.1
Beam Angle FWHM	66

#### ZONAL LUMEN SUMMARY

Zone	Lumens	% Luminaire
0-40	1836	94.6
0-60	1940	99.9
0-90	1942	100.0
0-180	1942	100.0

#### POLAR GRAPH



#### CANDELA DISTRIBUTION

Degree	Candela
0	1473
5	1475
15	1605
25	1545
35	890
45	76
55	4
65	2
75	1
85	0
90	0

#### LUMINANCE DATA\*

Vertical Angle	Average
45°	21571
55°	1636
65°	1111
75°	907
85°	0

\*Candela/Square Meter

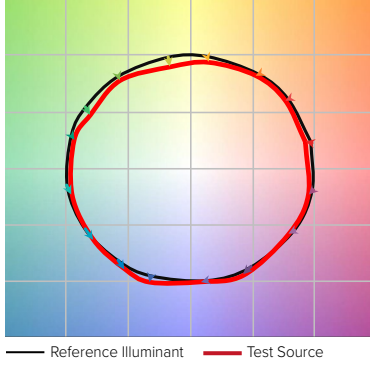
#### LUMEN MULTIPLIER

Option	27K8	30K8	35K8	40K8	50K8	27K9	30K9	35K9	40K9
Multiplier	0.94	0.98	1.00	1.01	1.02	0.81	0.84	0.85	0.85

Photometrics are published below at a nominal 3500 Kelvin, 80+ CRI. This table may be used to approximate the lumen values at different Kelvin temperatures. Power consumption would stay the same.

**TM-30 DATA**

**COLOR VECTOR GRAPHIC**  
3500K, 90 CRI

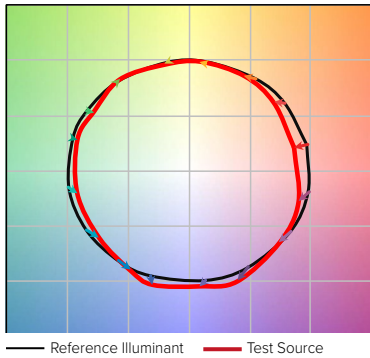


**COLOR DISTORTION GRAPHIC**  
3500K, 90 CRI

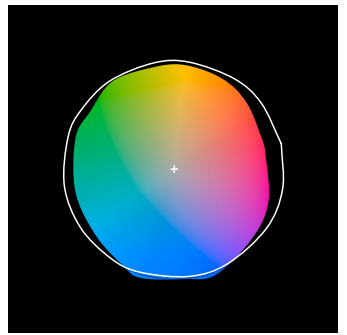


TEST RESULTS - 3500K		
Value	80+ CRI	90+ CRI
R <sub>t</sub>	84	88
R <sub>g</sub>	95	95
CCT (K)	3411	3419
D <sub>uv</sub>	0.0015	0.0042
x	0.4120	0.4147
y	0.3974	0.4052
CIE R <sub>a</sub>	84	93
CIE R <sub>g</sub>	11	62

**COLOR VECTOR GRAPHIC**  
3500K, 80 CRI



**COLOR DISTORTION GRAPHIC**  
3500K, 80 CRI



**ELECTRICAL DATA**

DRIVER DATA		
Input Voltage	120-277 V	347 V
Input Frequency	50/60 Hz	50/60 Hz
Power Factor	≥0.90	≥0.90
THD	<20%	<20%
EMI Filtering (FCC 47 CFR Part 15)	Class A	Class A

\* Values for DM1 option shown, values for other dimming options may vary.

WATTAGE DATA		
Lumen Output	Nominal Lumens	WATTAGE
06L	600	8
10L	1000	12
15L	1500	19
20L	2000	25

\* Wattage may vary based on configuration and options selected





# LTC-3RDW

LITEISTRY 3" ROUND CYLINDER

DATE: \_\_\_\_\_ LOCATION: \_\_\_\_\_

TYPE: \_\_\_\_\_ PROJECT: \_\_\_\_\_

CATALOG #: \_\_\_\_\_

## ADDITIONAL INFORMATION

DIMMING COMPATIBILITY CHART		
Dimming Driver	Manufacturer	Web Link
DM1 /DM01	Lutron DDTV	<a href="http://bit.ly/11jSvZg">http://bit.ly/11jSvZg</a>
DM1	Leviton AWRMG-7xx, AWSMG-7xx, AWSMT-7xx	<a href="http://bit.ly/1BjN2R9">http://bit.ly/1BjN2R9</a>
EDM	Lutron	<a href="http://bit.ly/1vtjHAI">http://bit.ly/1vtjHAI</a>
2DM	Lutron	<a href="http://bit.ly/1S4WjXK">http://bit.ly/1S4WjXK</a>

### DMX

See instruction sheet on [www.prescolite.com](http://www.prescolite.com) for connection & installation information.

### Central Inverters

For full fixture output in back-up mode, we recommend you visit [www.dual-lite.com](http://www.dual-lite.com) for your Central Lighting Inverter options. Please contact your local Hubbell representative for any assistance with proper sizing and loading of your inverter selection. Central lighting inverters must be ordered separately.

LiteGear: [www.dual-lite.com/products/litegear\\_lg\\_series](http://www.dual-lite.com/products/litegear_lg_series)

LPS Series: [www.dual-lite.com/products/lps](http://www.dual-lite.com/products/lps)

### ENERGY STAR® Certified Models

For a list of certified models, click on the ENERGY STAR® MODELS link or visit [www.energystar.gov](http://www.energystar.gov).