

LTC-3RDWPH

LITEISTRY 3" ROUND CYLINDER WITH POWERHUBB™

LITEISTRY™

FEATURES

- 3" architectural LED downlight and wall wash cylinder delivering 600–2000 lm
- Five beam distributions from 0.3 to 1.1 Spacing Criteria
- Quiet reflector appearance with 50° optical cutoff
- 2700K - 5000K, 80+ and 90+ CRI options
- Available in Surface, Wall, Pendant, or Cord Mount configurations
- PowerHUBB™ enables low-voltage wired connectivity for Power over Ethernet (PoE) network system deployment



(Select Models)

RELATED PRODUCTS

- [Ø 3" LITEISTRY Family](#)
 [Ø 4" LITEISTRY Family](#)
 [Ø 6" LITEISTRY Family](#)

CONTROL TECHNOLOGY



SPECIFICATIONS

CONSTRUCTION

- Seamless heavy gauge aluminum cylinder body with a clean appearance
- Select from 4 durable powder coat paint architectural finishes or Brushed Aluminum
- Available in Surface, Wall, Pendant, or Cable/Cord mounting options
- Nodes are remote mounted (see line art)
- Pendant Mount: Swivel canopy allows sloped ceiling mounting up to 45°

OPTICS

- Visually pleasing 50° cutoff to source and source image
- The light distribution is free of distracting bright spots or pixelation and the perimeter has a smooth transition
- Optical grade silicone lens integral to light engine
- High purity spun aluminum reflector, self-flanged
- Large selection of anodized finishes and colors
- Painted cones and flange options available

ELECTRICAL

- Chip-on-board LED with 2 SDCM
- Multiple CCTs, 80+ or 90+ CRI
- Long LED life: L90 at >55,000 (TM-21)
- PowerHUBB™ enables low-voltage wired connectivity for Power over Ethernet (PoE) network system deployment
- EMI Filtering (FCC 47 CFR Part 15) Class A

INSTALLATION

- Light Engine/Trim assembly is mechanically secured and includes a retention cable for ease of installation
- A quick connect is provided for easy maintenance or upgrade
- For S, CM, P: Remote mount node/jbox assembly requires 6" plenum clearance (Non-IC rated)
- For S, CM, P: Remote node is accessible from above or below the ceiling
- For Wall Mount (W): Factory supplied remote node assembly to be field installed. Access required to an appropriate indoor IP20 rated node location (by others). See Wall mount line art in DIMENSIONS section for

additional details.

CERTIFICATIONS

- cCSAus certified to UL 2108
- Wall Mount: Suitable for wet locations
- Pendant Mount: Suitable for wet locations under covered ceiling
- Surface, Cord Mount and all Wall Wash: Suitable for damp locations
- This product qualifies as a "designated country construction material" per FAR 52.225-11 Buy American-Construction. Materials under Trade Agreements effective 6/6/2020. See [Buy American Solutions](#).

WARRANTY

- 5 year warranty
- See [HLI Standard Warranty](#) for additional information

KEY DATA	
Lumen Range	600-2000
Wattage Range	8-25
Efficacy Range (LPW)	80-86*
Reported Life (Hours)	L90 / >55,000
Input Current (mA)	N/A

*Based on Specular, 35K, 80 CRI



LTC-3RDWPH

LITEISTRY 3" ROUND CYLINDER WITH POWERHUBB™

DATE: _____ LOCATION: _____

TYPE: _____ PROJECT: _____

CATALOG #: _____

ORDERING GUIDE

Example: LTC-3RDPH-P-15L35K9WD-PMC-SS-WH

CATALOG #

LTC-3RDPH		Cylinder Mounting		Lumen Output		CCT		CRI		Distribution	
Aperture/Shape/Function		S Surface ³		06L	600 Lumens	27K	2700K	8	80+ CRI	VNR	Very Narrow (0.3 SC/20°) ⁵
LTC-3RDPH	3" Round Downlight Cylinder	W Wall ³		10L	1000 Lumens	30K	3000K	9	90+ CRI	NR	Narrow (0.4 SC/29°)
LTC-3RWPH	3" Round Wall Wash Cylinder	P Pendant (18" Stem Standard) ³		15L	1500 Lumens	35K	3500K			MD	Medium (0.7 SC/53°)
		CM Cable/Cord (6 ft. Cord Standard) ^{3,4}		20L	2000 Lumens	40K	4000K			WD	Wide (1.0 SC/59°)
						50K	5000K ¹			XW	Extra Wide (1.1 SC/66°)
										WW	Wall Wash

PowerHUBB Node		Reflector Finish	Reflector Color	Flange Color Options	Exterior Cylinder Color
PM	PowerHUBB™, On/Off/1% Dim, Master	<i>Finish not applicable with painted reflectors (WC or BC)</i>		<i>Standard Clear</i>	BA Brushed Aluminum
PMC	PowerHUBB™, On/Off/1% Dim, Control Inputs, Master	S Specular	CG Champagne Gold	<i>Standard matches reflector color</i>	BZ Bronze
PS	PowerHUBB™, On/Off/1% Dim, Satellite	SS Semi-Specular	BL Black	WT White Flange ²	BL Matte Black
PSC	PowerHUBB™, On/Off/1% Dim, Control Inputs, Satellite	MFC American Matte™	LW Light Wheat	BT Black Flange ²	WH Matte White
		VS Softglow®	PW Pewter		SVR Silver
		VSS SoftSheen™	WC Painted White Cone and Flange		
			BC Painted Black Cone and Flange		

Notes:

- 1 5000K available in 80+ CRI only.
- 2 WT not needed for WC, BT not needed for BC.
- 3 PowerHUBB nodes are remote mounted. See line art for important installation details.
- 4 CM standard cord color is Clear.
- 5 VNR available up to 15L.



LTC-3RDWPH

LITEISTRY 3" ROUND CYLINDER WITH POWERHUBB™

DATE: _____ LOCATION: _____

TYPE: _____ PROJECT: _____

CATALOG #: _____

PERFORMANCE DATA TABLE

Performance data provided below is for 3500K, 80 CRI with Specular Clear reflector finish/color

Lumen Package	Nominal Lumens	Distribution	Delivered Lumens	Watts	LPW
06L	600	Very Narrow	689	8.0	87
		Narrow	744	7.8	95
		Medium	641	7.8	82
		Wide	663	7.8	85
		Extra Wide	636	7.8	82
		Open Single Wall Wash	560	7.8	72
10L	1000	Very Narrow	1099	12.6	87
		Narrow	1198	11.9	101
		Medium	1032	11.9	87
		Wide	1067	11.9	90
		Extra Wide	1024	11.9	86
		Open Single Wall Wash	901	11.9	76
15L	1500	Very Narrow	1502	18.6	81
		Narrow	1733	18.6	93
		Medium	1493	18.6	80
		Wide	1544	18.6	83
		Extra Wide	1482	18.6	80
		Open Single Wall Wash	1304	18.6	70
20L	2000	Narrow	2103	25.1	84
		Medium	1952	25.1	78
		Wide	1985	25.1	79
		Extra Wide	1945	25.1	77
		Open Single Wall Wash	1804	24.2	75

LTC-3RDWPH

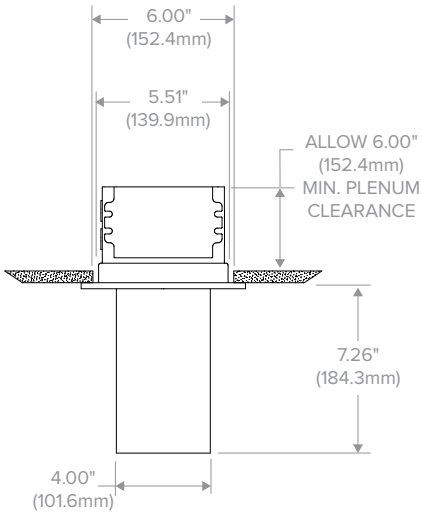
LITEISTRY 3" ROUND CYLINDER WITH POWERHUB™

DATE: _____ LOCATION: _____

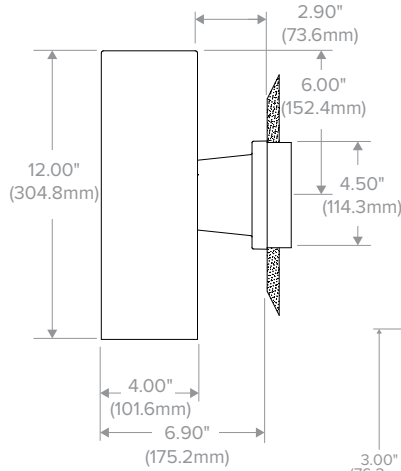
TYPE: _____ PROJECT: _____

CATALOG #: _____

DIMENSIONS



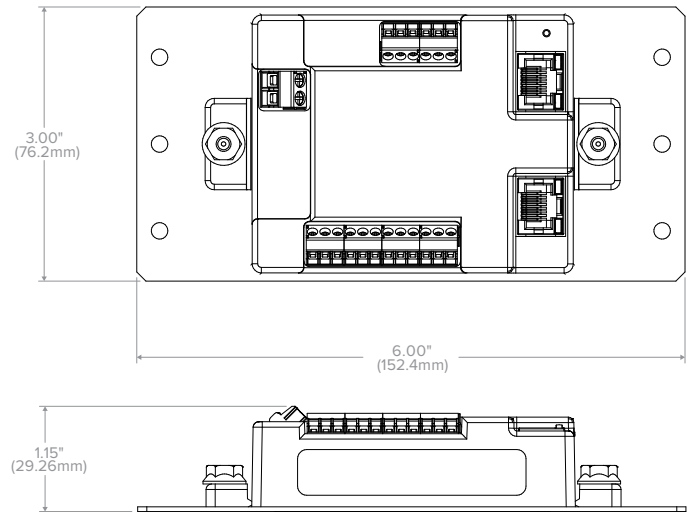
Surface



Wall

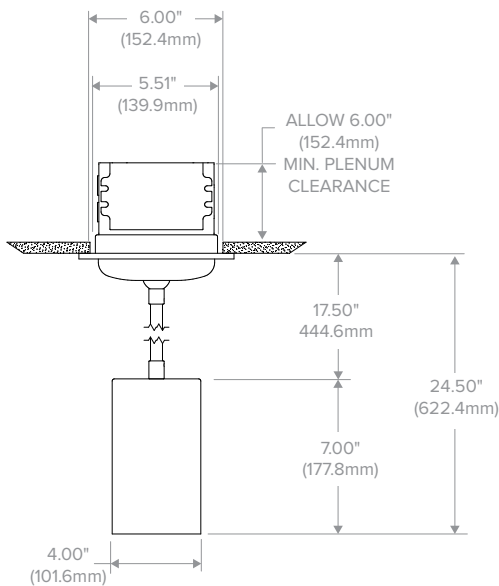
Remote Node Mounting	
Lumen Package	14 to 18 AWG Wire Size Max. Wire Length* (in feet)
06L	460
10L	275
15L	180
20L	140

* Measured from Node to LED module connection (Based on 1V drop)

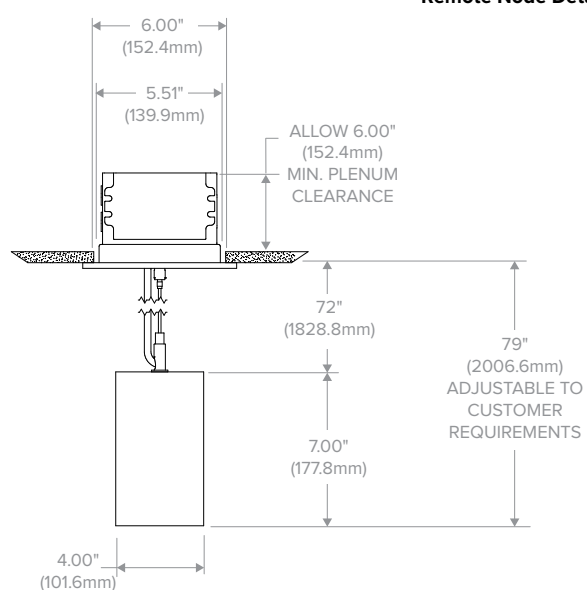


LTC3-W-PH

Remote Node Detail



Pendant



Cord

LTC-3RDWPH

LITEISTRY 3" ROUND CYLINDER WITH POWERHUB™

PHOTOMETRY

LTC-3RDPH-P-15L35K8VNR-PMC-S-BL

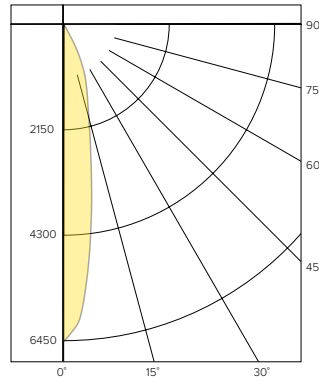
LUMINAIRE DATA

Test No.	R20.01326-C02
Description	1500 lm, Very Narrow, 3500K, 80 CRI
Delivered Lumens	1502
Watts	18.6W
Efficacy	81
Mounting	Pendant
Spacing Criterion	0.3
Beam Angle	20

ZONAL LUMEN SUMMARY

Zone	Lumens	% Luminaire
0-40	1482	98.7
0-60	1501	99.9
0-90	1502	100.0
0-180	1502	100.0

POLAR GRAPH



CANDELA DISTRIBUTION

Degree	Candela
0	6446
5	5271
15	1980
25	879
35	119
45	18
55	2
65	1
75	0
85	0
90	0

LUMINANCE DATA*

Vertical Angle	Average
45°	6078
55°	833
65°	565
75°	0
85°	0

*Candela/Square Meter

LTC-3RDPH-P-20L35K8NR-PMC-S-BL

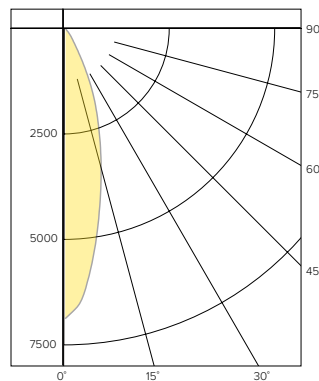
LUMINAIRE DATA

Test No.	R19.00506-01
Description	2000 lm, Narrow, 3500K, 80 CRI
Delivered Lumens	2078
Watts	24.1W
Efficacy	86.4
Mounting	Pendant
Spacing Criterion	0.4
Beam Angle FWHM	29

ZONAL LUMEN SUMMARY

Zone	Lumens	% Luminaire
0-40	2047	98.5
0-60	2077	99.9
0-90	2078	100.0
0-180	2078	100.0

POLAR GRAPH



CANDELA DISTRIBUTION

Degree	Candela
0	6859
5	5934
15	2961
25	1243
35	201
45	28
55	2
65	1
75	0
85	0
90	0

LUMINANCE DATA*

Vertical Angle	Average
45°	9292
55°	818
65°	555
75°	0
85°	0

*Candela/Square Meter

LTC-3RDPH-P-20L35K8MD-PMC-S-BL

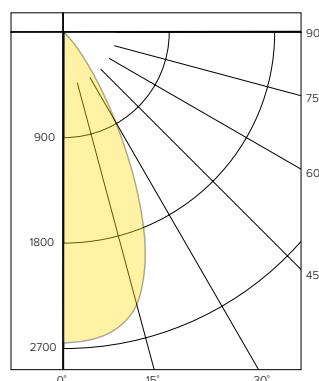
LUMINAIRE DATA

Test No.	R19.00507-01
Description	2000 lm, Medium, 3500K, 80 CRI
Delivered Lumens	1924
Watts	24.4W
Efficacy	78.8
Mounting	Pendant
Spacing Criterion	0.7
Beam Angle FWHM	53

ZONAL LUMEN SUMMARY

Zone	Lumens	% Luminaire
0-40	1869	97.1
0-60	1922	99.9
0-90	1924	100.0
0-180	1924	100.0

POLAR GRAPH



CANDELA DISTRIBUTION

Degree	Candela
0	2652
5	2634
15	2406
25	1467
35	453
45	48
55	3
65	1
75	0
85	0
90	0

LUMINANCE DATA*

Vertical Angle	Average
45°	15930
55°	1227
65°	555
75°	907
85°	0

*Candela/Square Meter

LTC-3RDWPH

LITEISTRY 3" ROUND CYLINDER WITH POWERHUB™

PHOTOMETRY CONTINUED

LTC-3RDPH-P-20L35K8WD-PMC-S-BL

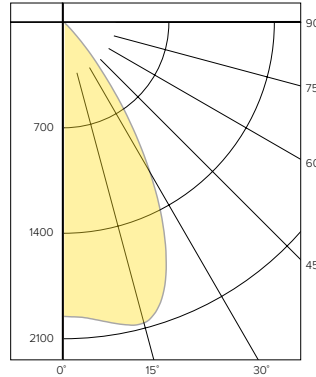
LUMINAIRE DATA

Test No.	R19.00509-01
Description	2000 lm, Wide, 3500K, 80 CRI
Delivered Lumens	1963
Watts	24.4W
Efficacy	80.5
Mounting	Pendant
Spacing Criterion	1.0
Beam Angle FWHM	59

ZONAL LUMEN SUMMARY

Zone	Lumens	% Luminaire
0-40	1887	94.8
0-60	1961	99.9
0-90	1963	100.0
0-180	1963	100.0

POLAR GRAPH



CANDELA DISTRIBUTION

Degree	Candela
0	1950
5	1972
15	2062
25	1581
35	658
45	66
55	4
65	2
75	1
85	0
90	0

LUMINANCE DATA*

Vertical Angle	Average
45°	21903
55°	1636
65°	1111
75°	907
85°	0

*Candela/Square Meter

LTC-3RDPH-P-20L35K8XW-PMC-S-BL

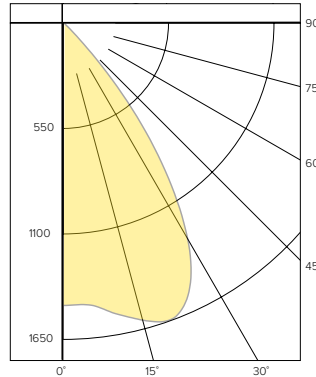
LUMINAIRE DATA

Test No.	R19.00508-01
Description	2000 lm, Extra Wide, 3500K, 80 CRI
Delivered Lumens	1942
Watts	24.4W
Efficacy	79.6
Mounting	Pendant
Spacing Criterion	1.1
Beam Angle FWHM	66

ZONAL LUMEN SUMMARY

Zone	Lumens	% Luminaire
0-40	1836	94.6
0-60	1940	99.9
0-90	1942	100.0
0-180	1942	100.0

POLAR GRAPH



CANDELA DISTRIBUTION

Degree	Candela
0	1473
5	1475
15	1605
25	1545
35	890
45	76
55	4
65	2
75	1
85	0
90	0

LUMINANCE DATA*

Vertical Angle	Average
45°	21571
55°	1636
65°	1111
75°	907
85°	0

*Candela/Square Meter

LUMEN MULTIPLIER

Option	27K8	30K8	35K8	40K8	50K8	27K9	30K9	35K9	40K9
Multiplier	0.94	0.98	1.00	1.01	1.02	0.81	0.84	0.85	0.85

Photometrics are published below at a nominal 3500 Kelvin, 80+ CRI. This table may be used to approximate the lumen values at different Kelvin temperatures. Power consumption would stay the same.

LTC-3RDWPH

LITEISTRY 3" ROUND CYLINDER WITH POWERHUBB™

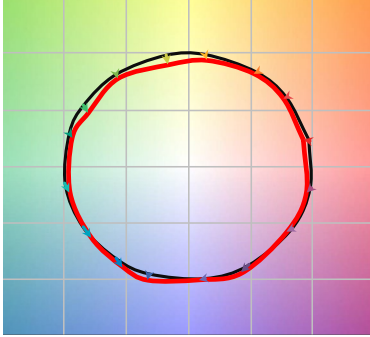
DATE: _____ LOCATION: _____

TYPE: _____ PROJECT: _____

CATALOG #: _____

TM-30 DATA

COLOR VECTOR GRAPHIC
3500K, 90 CRI



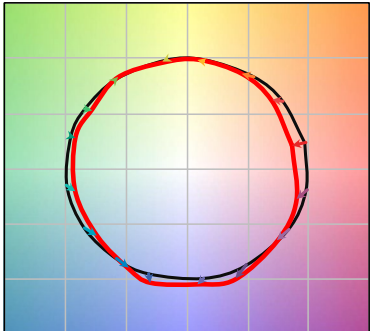
— Reference Illuminant — Test Source

COLOR DISTORTION GRAPHIC
3500K, 90 CRI



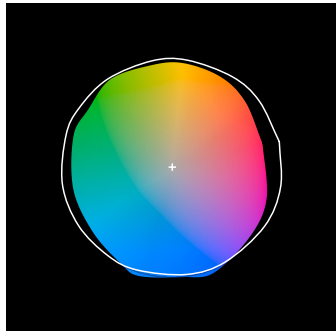
TEST RESULTS - 3500K		
Value	80+ CRI	90+ CRI
R_t	84	88
R_g	95	95
CCT (K)	3411	3419
D_{uv}	0.0015	0.0042
x	0.4120	0.4147
y	0.3974	0.4052
CIE R_a	84	93
CIE R_g	11	62

COLOR VECTOR GRAPHIC
3500K, 80 CRI



— Reference Illuminant — Test Source

COLOR DISTORTION GRAPHIC
3500K, 80 CRI



ELECTRICAL DATA

WATTAGE DATA		
Lumen Output	Nominal Lumens	WATTAGE
06L	600	8
10L	1000	12
15L	1500	19
20L	2000	25

* Wattage may vary based on configuration and options selected

ADDITIONAL INFORMATION

PowerHUBB™ **POWERHUBB™**
PoE LIGHTING & CONTROL

Hubbell Control Solutions' PowerHUBB™ is an enterprise-level Power over Ethernet (PoE) lighting and control platform that seamlessly integrates luminaires, sensors, user interfaces and software for a scalable intelligent building control solution.

See separate [PowerHUBB™ In-Fixture Solutions Guide](#) and [Hubbell Control Solutions PowerHUBB Brochure](#) for more details.