

LTR-3RWPH Lens

LITEISTRY 3" ROUND LENSED WALL WASH WITH POWERHUBB™

LITEISTRY™

FEATURES

- 3" architectural LED lensed wall wash delivering 600–2000 lm
- Provides smooth, uniform vertical illumination
- 2700K–5000K, 80+ and 90+ CRI options
- Available for New Construction (non-IC) and IC applications
- PowerHUBB™ enables low-voltage wired connectivity for Power over Ethernet (PoE) network system deployment



RELATED PRODUCTS

- Ø 3" LITEISTRY Family
- Ø 4" LITEISTRY Family
- Ø 6" LITEISTRY Family

CONTROL TECHNOLOGY



SPECIFICATIONS

CONSTRUCTION

- Standard Non-IC. IC option available.
- New Construction: Painted black durable steel platform with pre-installed bar hangers
- Pre-wired junction box with snap-on covers for easy access
- Snap-in connection from driver compartment allows easy installation
- Light Engine connections use plenum rated (CMP) cable

OPTICS

- Provides excellent uniformity down the wall
- The light distribution is free of distracting bright spots or pixelation and the perimeter has a smooth transition
- High purity spun aluminum reflector, self-flanged
- Flush mount flange option with mud-in ring available
- Large selection of anodized finishes and colors
- Painted cones and flange options available

ELECTRICAL

- Chip-on-board (COB) with 2 SDCM
- Multiple CCTs, 80+ or 90+ CRI
- Long LED life: L90 at 55,000 hours (TM-21)
- PowerHUBB™ enables low-voltage wired connectivity for Power over Ethernet (PoE) network system deployment
- EMI Filtering (FCC 47 CFR Part 15) Class A

INSTALLATION

- Accommodates ceiling thickness up to 1.25"
- Universal adjustable mounting brackets also accept .50" EMT conduit or 1.50" or 0.75" lathing channel (by others) or Prescolite accessory bar hangers (B24 or B6)
- Light engine/PowerHUBB node fully serviceable from above or below the ceiling

CERTIFICATIONS

- cCSAus certified to UL 2108
- Suitable for wet locations, covered ceiling. EMR: Suitable for damp locations.
- This product qualifies as a “designated country construction material” per FAR 52.225-11 Buy American-Construction. Materials under Trade Agreements effective 6/6/2020. See [Buy American Solutions](#).

WARRANTY

- 5 year warranty
- See [HLI Standard Warranty](#) for additional information

KEY DATA	
Lumen Range	600-2000
Wattage Range	8-25
Efficacy Range (LPW)	79*
Reported Life (Hours)	L90 / >55,000
Input Current (mA)	N/A

*Based on Specular, 35K, 80 CRI



LTR-3RWPH Lens

LITEISTRY 3" ROUND LENSED WALL WASH WITH POWERHUBB™

DATE: _____ LOCATION: _____

TYPE: _____ PROJECT: _____

CATALOG #: _____

ORDERING GUIDE

Example: LTR-3RDPH-H-SL10L-PMC-LTR-3RW-T-SL35K8LWW-S

CATALOG #

HOUSING

LTR-3RDPH-H		Lumen Package		Lumen Output		PowerHUBB Note		Housing Options	
Aperture/Shape/Function									
LTR-3RDPH-H	3" Round Downlight / Wall Wash New Construction Housing	SL Standard Lumen		06L 600 10L 1000 15L 1500		PM PowerHUBB™, On/Off/1% Dim, Master		IC IC rated ⁴	
		ML Medium Lumen		20L 2000		PMC PowerHUBB™, On/Off/1% Dim, Control Inputs, Master			
						PS PowerHUBB™, On/Off/1% Dim, Satellite			
						PSC PowerHUBB™, On/Off/1% Dim, Control Inputs, Satellite			

TRIM

LTR-3RW-T		Lumen Package		CCT		CRI		Distribution	
Aperture/Shape/Function									
LTR-3RW-T	3" Round Wall Wash Light Engine/Trim Assembly	SL Standard Lumen		27K 2700K 30K 3000K 35K 3500K 40K 4000K 50K 5000K ¹		8 80+ CRI 9 90+ CRI		LWW Lensed Wall Wash	
		ML Medium Lumen							

TRIM CONTINUED

Reflector Finish		Reflector Color		Flange Color Options		Reflector Options	
<i>Finish not applicable with painted reflectors (WC or BC)</i>		<i>Standard Clear</i>		<i>Standard matches reflector color</i>		AM Antimicrobial Coating ³	
S Specular		CG Champagne Gold		WT White Flange ²			
SS Semi-Specular		BL Black		BT Black Flange ²			
MFC American Matte™		LW Light Wheat					
VS Softglow®		PW Pewter					
VSS SoftSheen™		WC Painted White Cone and Flange					
		BC Painted Black Cone and Flange					

Accessories

- B24** Set of two (2) 24" bar hangers for T-bar ceilings
- B6** Set of two bar hangers for ceiling joist up to 24" centers
- FMR3-R** Flush Mount Flange Mud-In Ring, 3" Round
- MOR3-R-WH** Metal Oversized Ring, 3" Round, White (6.75" outside diameter)
- MOR3-R-BL** Metal Oversized Ring, 3" Round, Black (6.75" outside diameter)

Notes:

- 1 5000K available in 80+ CRI only.
- 2 WT not needed for WC, BT not needed for BC.
- 3 AM available with WC or Specular Clear (S or SWT). Consult factory for other colors.
- 4 IC available up to 15L.

LTR-3RWPH Lens

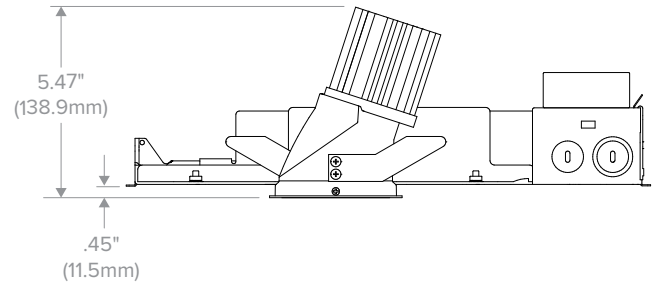
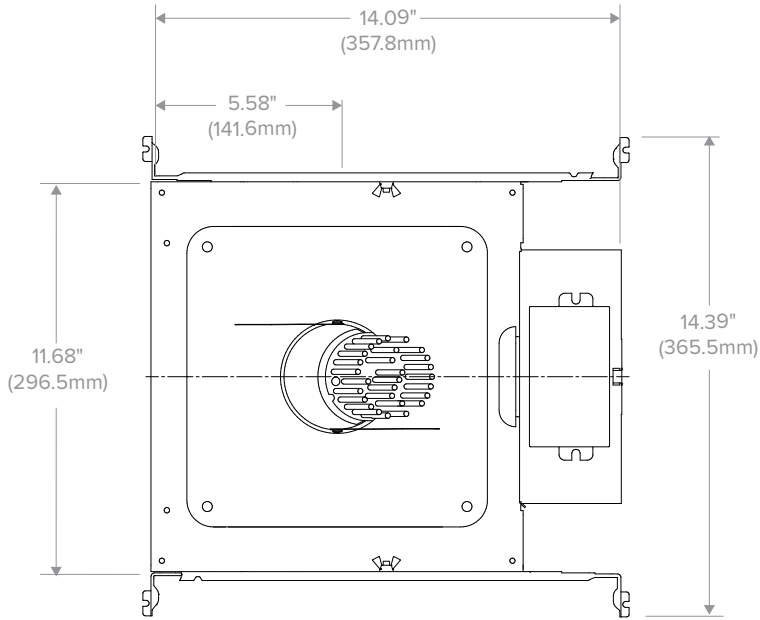
LITEISTRY 3" ROUND LENSED WALL WASH WITH POWERHUBB™

DATE: _____ LOCATION: _____

TYPE: _____ PROJECT: _____

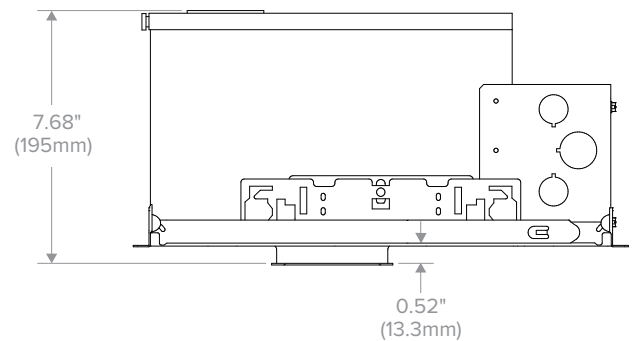
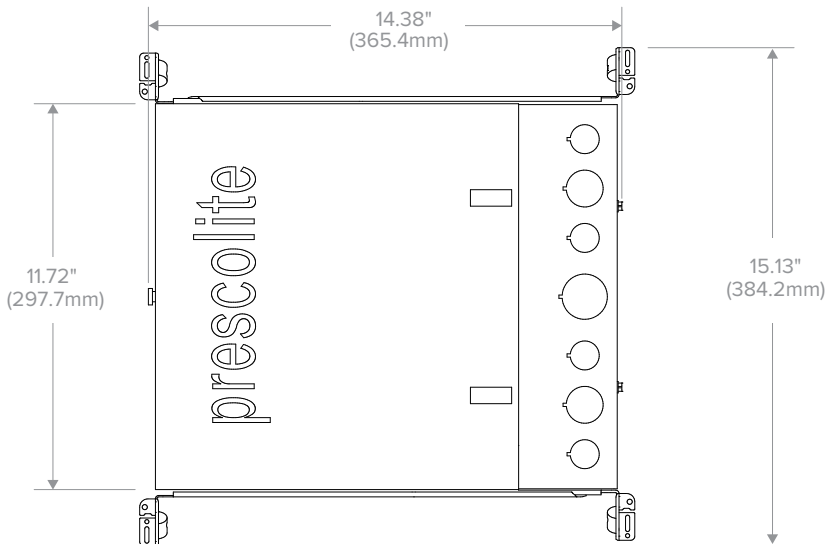
CATALOG #: _____

DIMENSIONS



Dimensional Data		
Aperture		2.88" (73.2mm)
Flange	Standard	3.68" (93.5mm)
	Flush Mount	3.68" (93.5mm)
Ceiling Cutout	Standard	3.38" (85.9mm)
	Flush Mount	4.00" (101.6mm)
Ceiling Thickness		0.50" to 1.25" (12.7mm to 31.8mm)

LTR-3RWPH LENS-H



Dimensional Data		
Aperture		2.88" (73.2mm)
Flange	Standard	3.68" (93.5mm)
	Flush Mount	3.68" (93.5mm)
Ceiling Cutout	Standard	3.38" (85.9mm)
	Flush Mount	4.00" (101.6mm)
Ceiling Thickness		0.50" to 1.25" (12.7mm to 31.8mm)

LTR-3RW-H - IC

LTR-3RWPH Lens

LITEISTRY 3" ROUND LENSED WALL WASH WITH POWERHUBB™

PHOTOMETRY

LTR-3RDPH-H-ML20L-PMC / LTR-3RW-T-ML35K8LWWS

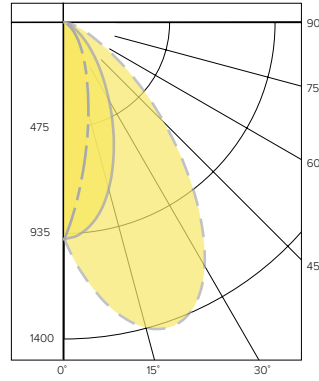
LUMINAIRE DATA

Test No.	R19.00751-01
Description	3" Wall-Wash; 2000lm 3500K, 80 CRI
Delivered Lumens	1974
Watts	25
Efficacy	78.8
Mounting	Recessed

ZONAL LUMEN SUMMARY

Zone	Lumens	% Luminaire
0-40	1432	72.5
0-60	1894	95.9
0-90	1974	100.0
0-180	1974	100.0

POLAR GRAPH



CANDELA DISTRIBUTION

Degree	Candela
0	1554
5	1857
15	2267
25	2225
35	1697
45	1002
55	464
65	176
75	55
85	0
90	0

LUMINANCE DATA*

Vertical Angle	Average
45°	332529
55°	189834
65°	97726
75°	49867
85°	0

*Candela/Square Meter

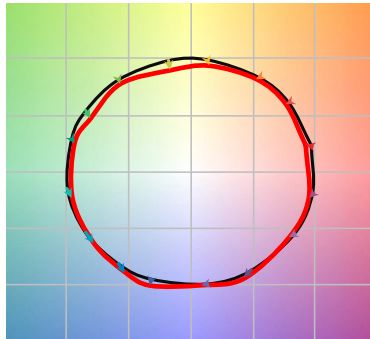
LUMEN MULTIPLIER

Option	27K8	30K8	35K8	40K8	50K8	27K9	30K9	35K9	40K9
Multiplier	0.94	0.98	1.00	1.01	1.02	0.81	0.84	0.85	0.85

Photometrics are published below at a nominal 3500 Kelvin, 80+ CRI. This table may be used to approximate the lumen values at different Kelvin temperatures. Power consumption would stay the same.

TM-30 DATA

COLOR VECTOR GRAPHIC 3500K, 90 CRI



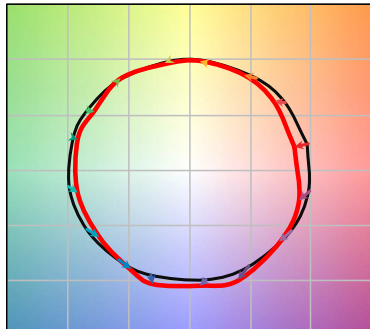
— Reference Illuminant — Test Source

COLOR DISTORTION GRAPHIC 3500K, 90 CRI



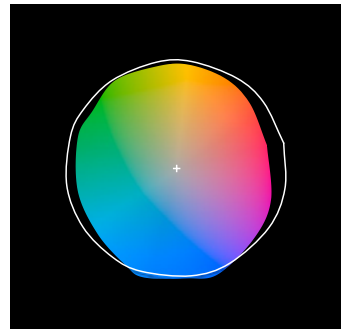
TEST RESULTS - 3500K		
Value	80+ CRI	90+ CRI
R _i	84	88
R _g	95	95
CCT (K)	3411	3419
D _{uv}	0.0015	0.0042
x	0.4120	0.4147
y	0.3974	0.4052
CIE R _a	84	93
CIE R _g	11	62

COLOR VECTOR GRAPHIC 3500K, 80 CRI



— Reference Illuminant — Test Source

COLOR DISTORTION GRAPHIC 3500K, 80 CRI





LTR-3RWPH Lens

LITEISTRY 3" ROUND LENSED WALL WASH WITH POWERHUBB™

DATE: _____ LOCATION: _____

TYPE: _____ PROJECT: _____

CATALOG #: _____

ELECTRICAL DATA

WATTAGE DATA		
Lumen Output	Nominal Lumens	WATTAGE
06L	600	8
10L	1000	12
15L	1500	19
20L	2000	25

* Wattage may vary based on configuration and options selected

ADDITIONAL INFORMATION

PowerHUBB™ **POWERHUBB™**
PoE LIGHTING & CONTROL

Hubbell Control Solutions' PowerHUBB™ is an enterprise-level Power over Ethernet (PoE) lighting and control platform that seamlessly integrates luminaires, sensors, user interfaces and software for a scalable intelligent building control solution.

See separate [PowerHUBB™ In-Fixture Solutions Guide](#) and [Hubbell Control Solutions PowerHUBB Brochure](#) for more details.