

LTC-3SQD

LITEISTRY 3" SQUARE CYLINDER

LITEISTRY™

FEATURES

- 3" architectural LED downlight cylinder delivering 600 - 2000 lm
- Five beam distributions from 0.4 to 1.2 Spacing Criteria
- Quiet reflector appearance with 50° optical cutoff
- 2700K - 5000K, 80+ and 90+ CRI options
- Available in Surface, Wall, Pendant, or Cord Mount configurations
- Variety of dimming protocol options including 0-10V, DALI, DMX, Lutron Forward Phase and EcoSystem



RELATED PRODUCTS

- Ø [LTC-3SQD SpectraSync](#)
- Ø [LTC-3SQDPH PowerHUBB](#)

- Ø [3" LITEISTRY Family](#)
- Ø [4" LITEISTRY Family](#)
- Ø [6" LITEISTRY Family](#)



CONTROL TECHNOLOGY



SPECIFICATIONS

CONSTRUCTION

- Seamless heavy gauge aluminum cylinder body with a clean appearance
- Select from 4 durable powder coat paint architectural finishes or Brushed Aluminum
- Available in Surface, Wall, Pendant, or Cable/Cord mounting options
- Wall Mount: One piece die cast aluminum mounting arm
- Wall Mount driver is integral in cylinder
- For S, CM, P: Drivers are remote mounted above ceiling (see line art)
- Pendant Mount: Swivel canopy allows sloped ceiling mounting up to 45 degrees
- Integral driver versions allow direct mounting to a standard 4" octagonal or square junction box

OPTICS

- Visually pleasing 50° cutoff to source and source image
- The light distribution is free of distracting bright spots or pixelation and the perimeter has a smooth transition
- Optical grade silicone lens integral to light engine
- High purity four panel spun aluminum reflector, self-flanged
- Large selection of anodized finishes and colors
- Painted cones and flange options available

ELECTRICAL

- Chip-on-board LED with 2 SDCM
- Multiple CCTs, 80+ or 90+ CRI
- Long LED life: L90 at >55,000 (TM-21)
- Universal voltage 120V-277V driver, 347V optional
- UL Class 2, inherent short circuit and overload protection, RoHS compliant
- Flicker free 0-10V dimming with 1% or <1% performance
- DALI, DMX, and Lutron Forward Phase and EcoSystem options

INSTALLATION

- Light Engine/Trim assembly is mechanically secured with torsion springs for ease of installation
- A quick connect is provided for easy maintenance or upgrade
- Remote mount driver/jbox assembly requires 6" plenum clearance
- Remote driver is accessible from above or below the ceiling

CERTIFICATIONS

- cCSAus certified to UL 1598
- Wall Mount: Suitable for wet locations
- Pendant Mount: Suitable for wet locations under covered ceiling
- Surface & Cord Mount: Suitable for damp locations
- This product qualifies as a "designated country construction material" per FAR 52.225-11 Buy American-Construction. Materials under Trade Agreements effective 6/6/2020. See [Buy American Solutions](#).

WARRANTY

- 5 year warranty
- See [HLI Standard Warranty](#) for additional information

KEY DATA	
Lumen Range	600-2000
Wattage Range	8-25
Efficacy Range (LPW)	77-82*
Reported Life (Hours)	L90 / >55,000
Input Current (mA)	67-208 (120V)

*Based on Specular, 35K, 80 CRI



LTC-3SQD

LITEISTRY 3" SQUARE CYLINDER

DATE: _____ LOCATION: _____

TYPE: _____ PROJECT: _____

CATALOG #: _____

ORDERING GUIDE

Example: LTC-3SQD-P-15L35K9WD-DM1-SS-WH

CATALOG # _____

LTC-3SQD		Cylinder Mounting	Lumen Output	CCT	CRI	Distribution
Aperture/Shape/Function						
LTC-3SQD	3" Square Downlight Cylinder	S Surface W Wall P Pendant (18" Stem Standard) CM Cable/Cord (6 ft. Cord Standard) ⁵	06L 600 Lumens 10L 1000 Lumens 15L 1500 Lumens 20L 2000 Lumens	27K 2700K 30K 3000K 35K 3500K 40K 4000K 50K 5000K ¹	8 80+ CRI 9 90+ CRI	VNR Very Narrow (0.4 SC/24°) ⁸ NR Narrow (0.6 SC/38°) MD Medium (0.7 SC/48°) WD Wide (1.0 SC/62°) XW Extra Wide (1.2 SC/74°)

Driver Options		Control Options		Voltage	Reflector Finish	Reflector Color	Flange Color Options
DM1	0-10V Dimming to 1% ³	NXE	NX, Dual SmartPORTs ^{2,3,7}	Standard	<i>Finish not applicable with painted reflectors (WC or BC)</i>		Standard Clear
DM01	0-10V Dimming to <1% ³	NXWE	NX Wireless Enabled ^{2,3,7}	120-277V	S	CG	Champagne Gold
DMX	DMX with RDM dimming to <0.1% ³	NXWD	NX Wireless, Dual SmartPORTs ^{2,3,7}	34 347V ^{3,6}	SS	BL	Black
DALI	DALI Dimming to 1% ³	LV	Lutron Vive Enabled, 0-10V (requires DM1 driver) ^{3,7}		VS	LW	Light Wheat
2DM	Lutron Hi-Lume 2-wire Dimming to 1% (120V Forward Phase only) ³	LVE	Lutron Vive Enabled, EcoSystem, (requires EDM) ^{3,7}		VSS	PW	Pewter
EDM	Lutron Hi-Lume EcoSystem Dimming to 1% ³					WC	Painted White Cone and Flange
						BC	Painted Black Cone and Flange

Exterior Cylinder Color

- BA** Brushed Aluminum
- BZ** Bronze
- BL** Matte Black
- WH** Matte White
- SVR** Silver

Notes:

- 1 5000K available in 80+ CRI only.
- 2 NX requires DM1 driver option.
- 3 For lumen outputs/configurations available, see chart on page 3.
- 4 WT not needed for WC, BT not needed for BC.
- 5 CM standard cord color is Clear.
- 6 347V requires DM1 driver option; not available with Controls.
- 7 Controls not available with wall mount (W).
- 8 VNR available up to 15L. Not available with IC or CP options.



LTC-3SQD

LITEISTRY 3" SQUARE CYLINDER

DRIVER/CONTROL OPTION AVAILABILITY

Driver and Control options listed below are available in the configurations and lumen packages as shown.

Driver/Control Option		Cylinder Mounting ¹	Integral Remote Driver ¹	06L	10L	15L	20L
DM1	0-10V 1%	W	Integral	●	●	●	●
		S/P/CM	Remote (IC Rated)	●	●	●	●
DM01	0-10V <1%	W	Integral	●	●	●	●
		S/P/CM	Remote (Non-IC)	●	●	●	
DALI	DALI 1%	W	Integral	●	●	●	●
		S/P/CM	Remote (Non-IC)	●	●	●	
DMX	DMX w/ RDM <0.1%	W	Integral		●	●	●
		S/P/CM	Remote (IC Rated)		●	●	
2DM	Lutron Hi-Lume 2-wire 1%	W	Integral		●	●	
		S/P/CM	Remote (Non-IC)		●	●	●
EDM	Lutron Hi-Lume EcoSystem 1%	W	Integral		●	●	●
		S/P/CM	Remote (Non-IC)		●	●	●
347V ³	347 Volts (DM1 required)	W	Integral		●	●	●
		S/P/CM	Remote (IC Rated)		●	●	●
NX (All)	NX (DM1 required)	W	N/A				
		S/P/CM	Remote (Non-IC)	●	●	●	●
LV	Lutron Vive® (DM1 required)	W	N/A				
		S/P/CM	Remote (IC Rated)	●	●	●	●
LVE	Lutron Vive® (EDM required)	W	N/A				
		S/P/CM	Remote (Non-IC)		●	●	●

1 See Cylinder Mounting chart for details.

2 See line art for more details.

3 Not available with Controls.

Cylinder Mounting	
W	Wall Mount
S	Surface Mount
CM	Cable/Cord Mount
P	Pendant Mount

CONTROLS

NX Distributed Intelligence™ Lighting Controls:

Supports applications in a variety of deployment options- wired, wireless, hybrid. Integrates with and enables a wide array of luminaires including those with SpectraSync™ Color Tuning Technology.



NX INTEGRATED CONTROLS REFERENCE								
NX Option	Sensor	Networkable	Scheduling	Occupancy	Daylight Harvesting	0-10V Dimming	On/off Control	Bluetooth® App Programming
NX Networked – Wired								
NXE	N/A	Yes	Yes	No	No	Yes	Yes	Requires NXBTC/R ¹
NX Networked – Wireless								
NXWE ²	N/A	Yes	Yes	No	No	Yes	Yes	No ³
NX Networked – Wired/Wireless								
NXWD	N/A	Yes	Yes	No	No	Yes	Yes	Requires NXBTC/R ^{1,3}

1 NXBTC/R needs to be plugged into an available NX SmartPort™ on the fixture network

2 Programming via App requires factory assistance

3 To program NXWE option, need to consult factory. If connected to an area controller, programming can be done from that



LTC-3SQD

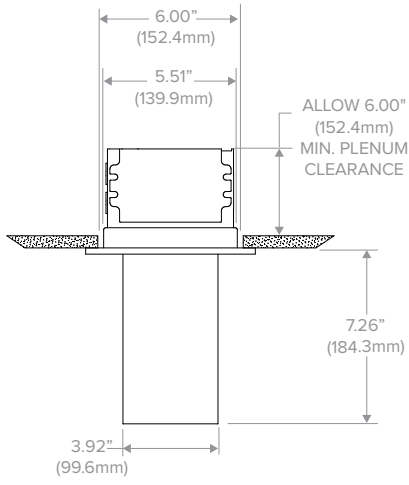
LITEISTRY 3" SQUARE CYLINDER

PERFORMANCE DATA TABLE

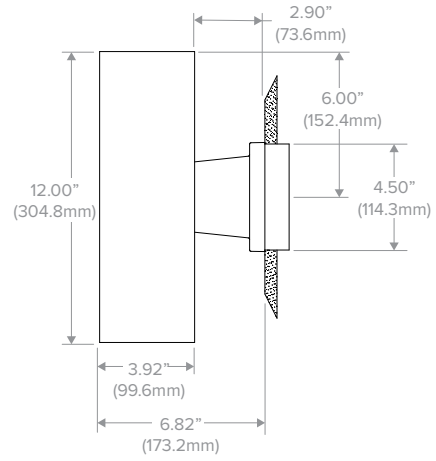
Performance data provided below is for 3500K, 80 CRI with Specular Clear reflector finish/color

Lumen Package	Nominal Lumens	Distribution	Delivered Lumens	Watts	LPW
06L	600	Very Narrow	635	7.9	81
		Narrow	714	7.8	92
		Medium	685	7.8	88
		Wide	656	7.8	84
		Extra Wide	614	7.8	79
10L	1000	Very Narrow	998	12.4	81
		Narrow	1149	11.9	97
		Medium	1103	11.9	93
		Wide	1056	11.9	89
		Extra Wide	988	11.9	83
15L	1500	Very Narrow	1348	18.2	74
		Narrow	1662	18.6	89
		Medium	1596	18.6	86
		Wide	1528	18.6	82
		Extra Wide	1429	18.6	77
20L	2000	Narrow	2060	25.0	82
		Medium	2018	25.0	81
		Wide	1975	25.0	79
		Extra Wide	1910	25.0	76

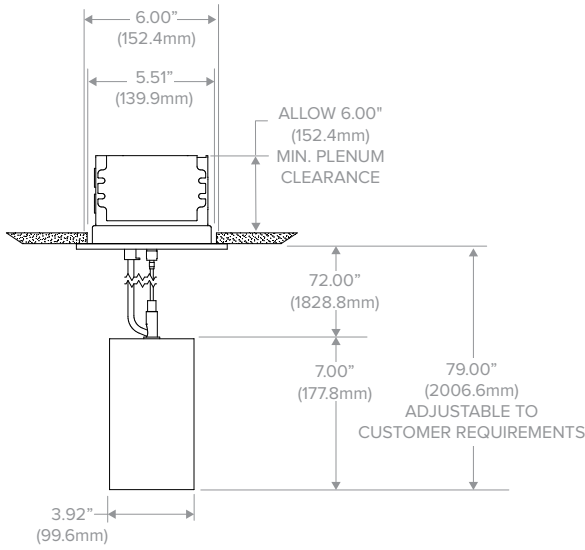
DIMENSIONS



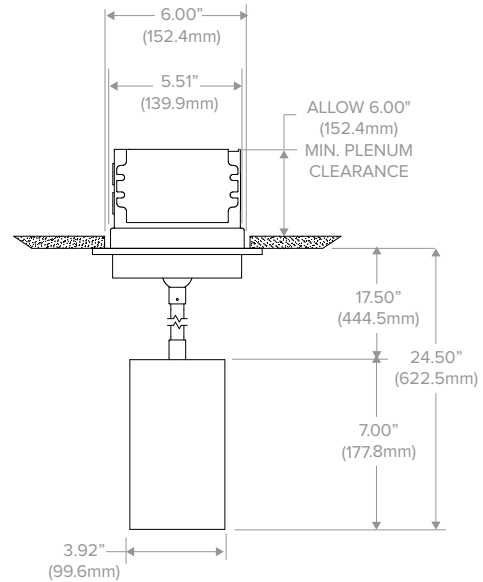
Surface



Wall



Cord



Pendant

LTC-3SQD

LITEISTRY 3" SQUARE CYLINDER

PHOTOMETRY

LTC-3SQD-P-15L35K8VNR-DM1-S-BL

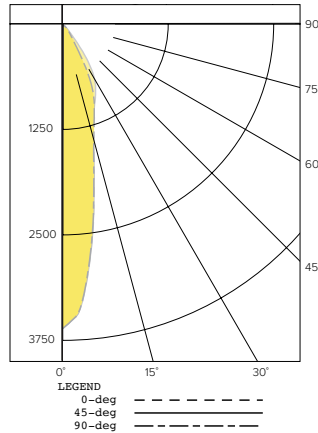
LUMINAIRE DATA

Test No.	R20.01196-C01
Description	1500 lm, Very Narrow, 3500K, 80 CRI
Delivered Lumens	1348
Watts	18.2W
Efficacy	74
Mounting	Pendant
Spacing Criterion	0.4
Beam Angle (FWHM)	24

ZONAL LUMEN SUMMARY

Zone	Lumens	% Luminaire
0-40	1243	92.2
0-60	1339	99.3
0-90	1348	100.0
0-180	1348	100.0

POLAR GRAPH



CANDELA DISTRIBUTION

Degree	Candela - 0	Candela - 45	Candela - 90
0	3611	3611	3611
5	3120	3115	3105
15	1431	1399	1415
25	809	915	818
35	191	492	188
45	78	97	78
55	26	28	27
65	5	6	6
75	2	2	2
85	1	1	1
90	0	0	0

LTC-3SQD-P-20L35K8NR-DM1-S-BL

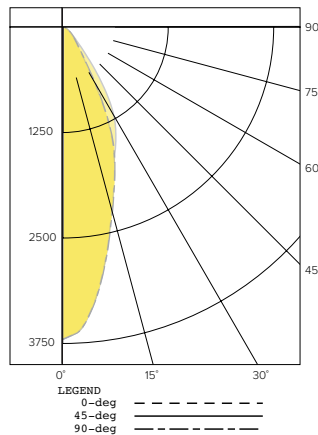
LUMINAIRE DATA

Test No.	R19.00953-01
Description	2000 lm, Narrow, 3500K, 80 CRI
Delivered Lumens	2060
Watts	25.0W
Efficacy	82.4
Mounting	Pendant
Spacing Criterion	0.6
Beam Angle (FWHM)	38

ZONAL LUMEN SUMMARY

Zone	Lumens	% Luminaire
0-40	1861	90.4
0-60	2045	99.3
0-90	2060	100.0
0-180	2060	100.0

POLAR GRAPH



CANDELA DISTRIBUTION

Degree	Candela - 0	Candela - 45	Candela - 90
0	3722	3722	3722
5	3454	3456	3462
15	2243	2200	2258
25	1270	1475	1294
35	338	738	350
45	151	180	157
55	53	57	60
65	7	9	7
75	3	4	3
85	1	1	1
90	0	0	0

LTC-3SQD-P-20L35K8MD-DM1-S-BL

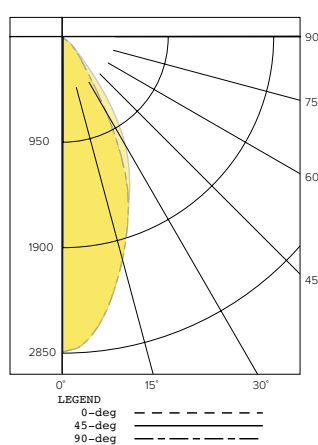
LUMINAIRE DATA

Test No.	R19.00954-01
Description	2000 lm, Medium, 3500K, 80 CRI
Delivered Lumens	2018
Watts	25.0W
Efficacy	80.7
Mounting	Pendant
Spacing Criterion	0.7
Beam Angle (FWHM)	48

ZONAL LUMEN SUMMARY

Zone	Lumens	% Luminaire
0-40	1799	89.2
0-60	2003	99.3
0-90	2018	100.0
0-180	2018	100.0

POLAR GRAPH



CANDELA DISTRIBUTION

Degree	Candela - 0	Candela - 45	Candela - 90
0	2842	2842	2842
5	2728	2727	2728
15	2080	2062	2083
25	1310	1432	1324
35	410	772	422
45	165	202	171
55	58	63	65
65	7	10	8
75	3	4	4
85	1	1	1
90	0	0	0

LTC-3SQD

LITEISTRY 3" SQUARE CYLINDER

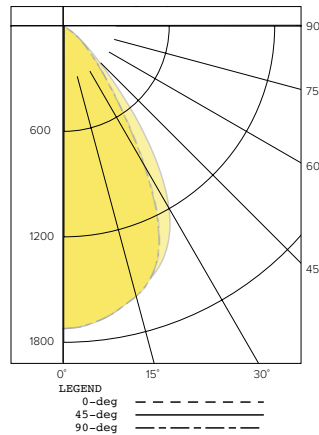
PHOTOMETRY (CONTINUED)

LTC-3SQD-P-20L35K8WD-DM1-S-BL

LUMINAIRE DATA

Test No.	R19.01044-01
Description	2000 lm, Wide, 3500K, 80 CRI
Delivered Lumens	1975
Watts	25.0W
Efficacy	78.9
Mounting	Pendant
Spacing Criterion	1.0
Beam Angle (FWHM)	62

POLAR GRAPH



CANDELA DISTRIBUTION

Degree	Candela - 0	Candela - 45	Candela - 90
0	1730	1730	1730
5	1713	1711	1711
15	1605	1594	1602
25	1305	1403	1292
35	600	914	580
45	236	304	224
55	87	84	75
65	10	12	9
75	4	5	4
85	1	1	1
90	0	0	0

ZONAL LUMEN SUMMARY

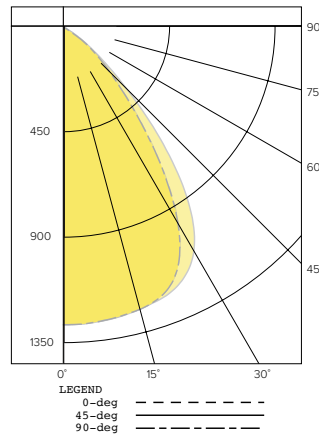
Zone	Lumens	% Luminaire
0-40	1671	96.3
0-60	1956	99.8
0-90	1975	100.0
0-180	1975	100.0

LTC-3SQD-P-20L35K8XW-DM1-S-BL

LUMINAIRE DATA

Test No.	R19.00956-01
Description	2000 lm, Extra Wide, 3500K, 80 CRI
Delivered Lumens	1910
Watts	25.0W
Efficacy	76.3
Mounting	Pendant
Spacing Criterion	1.2
Beam Angle (FWHM)	74

POLAR GRAPH



CANDELA DISTRIBUTION

Degree	Candela - 0	Candela - 45	Candela - 90
0	1275	1275	1275
5	1273	1273	1273
15	1252	1253	1253
25	1149	1199	1150
35	740	944	735
45	307	412	301
55	102	108	92
65	11	14	10
75	5	5	5
85	1	1	1
90	0	0	0

ZONAL LUMEN SUMMARY

Zone	Lumens	% Luminaire
0-40	1519	79.5
0-60	1889	98.9
0-90	1910	100.0
0-180	1910	100.0

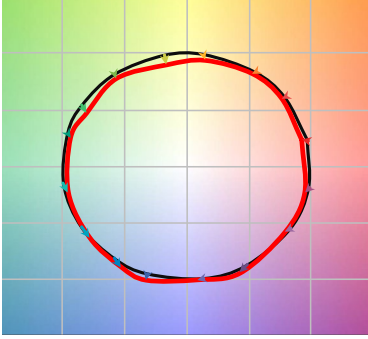
LUMEN MULTIPLIER

Option	27K8	30K8	35K8	40K8	50K8	27K9	30K9	35K9	40K9
Multiplier	0.94	0.98	1.00	1.01	1.02	0.81	0.84	0.85	0.85

Photometrics are published below at a nominal 3500 Kelvin, 80+ CRI. This table may be used to approximate the lumen values at different Kelvin temperatures. Power consumption would stay the same.

TM-30 DATA

COLOR VECTOR GRAPHIC
3500K, 90 CRI



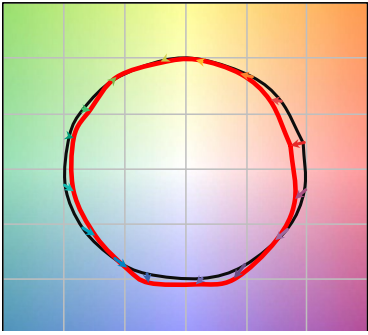
— Reference Illuminant — Test Source

COLOR DISTORTION GRAPHIC
3500K, 90 CRI



TEST RESULTS - 3500K		
Value	80+ CRI	90+ CRI
R_t	84	88
R_g	95	95
CCT (K)	3411	3419
D_{uv}	0.0015	0.0042
x	0.4120	0.4147
y	0.3974	0.4052
CIE R_a	84	93
CIE R_g	11	62

COLOR VECTOR GRAPHIC
3500K, 80 CRI



— Reference Illuminant — Test Source

COLOR DISTORTION GRAPHIC
3500K, 80 CRI





LTC-3SQD

LITEISTRY 3" SQUARE CYLINDER

DATE:	LOCATION:
TYPE:	PROJECT:
CATALOG #:	

ELECTRICAL DATA

DRIVER DATA		
Input Voltage	120-277 V	347 V
Input Frequency	50/60 Hz	50/60 Hz
Power Factor	≥0.90	≥0.90
THD	<20%	<20%
EMI Filtering (FCC 47 CFR Part 15)	Class A	Class A

* Values for DM1 option shown, values for other dimming options may vary.

WATTAGE DATA		
Lumen Output	Nominal Lumens	WATTAGE
06L	600	8
10L	1000	12
15L	1500	19
20L	2000	25

* Wattage may vary based on configuration and options selected

ADDITIONAL INFORMATION

DIMMING COMPATIBILITY CHART		
Dimming Driver	Manufacturer	Web Link
DM1 /DM01	Lutron DDTV	http://bit.ly/1IjSvZg
DM1	Leviton AWRMG-7xx, AWSMG-7xx, AWSMT-7xx	http://bit.ly/1BJn2R9
EDM	Lutron	http://bit.ly/1vtjHAI
2DM	Lutron	http://bit.ly/1S4WjXK

DMX

See instruction sheet on www.prescolite.com for connection & installation information.

Central Inverters

For full fixture output in back-up mode, we recommend you visit www.dual-lite.com for your Central Lighting Inverter options. Please contact your local Hubbell representative for any assistance with proper sizing and loading of your inverter selection. Central lighting inverters must be ordered separately.

LiteGear: www.dual-lite.com/products/litegear_lg_series

LPS Series: www.dual-lite.com/products/lps

ENERGY STAR® Certified Models

For a list of certified models, click on the ENERGY STAR® MODELS link or visit www.energystar.gov.