

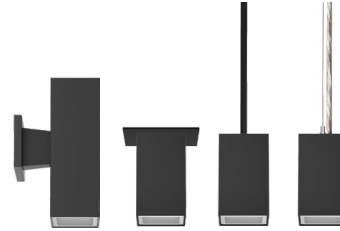
# LTC-3SQDPH

LITEISTRY 3" SQUARE CYLINDER WITH POWERHUBB™

LITEISTRY™

## FEATURES

- 3" architectural LED downlight cylinder delivering 600 - 2000 lm
- Five beam distributions from 0.4 to 1.2 Spacing Criteria
- Quiet reflector appearance with 50° optical cutoff
- 2700K - 5000K, 80+ and 90+ CRI options
- Available in Surface, Wall, Pendant, or Cord Mount configurations
- PowerHUBB™ enables low-voltage wired connectivity for Power over Ethernet (PoE) network system deployment



(Select Models)

## RELATED PRODUCTS

- Ø 3" LITEISTRY Family
- Ø 4" LITEISTRY Family
- Ø 6" LITEISTRY Family

## CONTROL TECHNOLOGY



## SPECIFICATIONS

### CONSTRUCTION

- Seamless heavy gauge aluminum cylinder body with a clean appearance
- Select from 4 durable powder coat paint architectural finishes or Brushed Aluminum
- Available in Surface, Wall, Pendant, or Cable/Cord mounting options
- Nodes are remote mounted (see line art)
- Pendant Mount: Swivel canopy allows sloped ceiling mounting up to 45 degrees

### OPTICS

- Visually pleasing 50° cutoff to source and source image
- The light distribution is free of distracting bright spots or pixelation and the perimeter has a smooth transition
- Optical grade silicone lens integral to light engine
- High purity four panel spun aluminum reflector, self-flanged
- Large selection of anodized finishes and colors
- Painted cones and flange options available

### ELECTRICAL

- Chip-on-board LED with 2 SDCM
- Multiple CCTs, 80+ or 90+ CRI
- Long LED life: L90 at >55,000 (TM-21)
- PowerHUBB™ enables low-voltage wired connectivity for Power over Ethernet (PoE) network system deployment
- EMI Filtering (FCC 47 CFR Part 15) Class A

### INSTALLATION

- Light Engine/Trim assembly is mechanically secured and includes a retention cable with torsion springs for ease of installation
- A quick connect is provided for easy maintenance or upgrade
- For S, CM, P: Remote mount node/jbox assembly requires 6" plenum clearance (Non-IC rated)
- For S, CM, P: Remote node is accessible from above or below the ceiling
- For Wall Mount (W): Factory supplied remote node assembly to be field installed. Access required to an appropriate indoor IP20 rated node location (by others). See Wall mount line art in DIMENSIONS section for additional details.

### CERTIFICATIONS

- cCSAus certified to UL 2108
- Wall Mount: Suitable for wet locations
- Pendant Mount: Suitable for wet locations under covered ceiling
- Surface and Cord Mount: Suitable for damp locations
- This product qualifies as a "designated country construction material" per FAR 52.225-11 Buy American-Construction. Materials under Trade Agreements effective 6/6/2020. See [Buy American Solutions](#).

### WARRANTY

- 5 year warranty
- See [HLI Standard Warranty](#) for additional information

KEY DATA	
Lumen Range	600–2000
Wattage Range	8–25
Efficacy Range (LPW)	77–82*
Reported Life (Hours)	L90 / >55,000
Input Current (mA)	N/A

\*Based on Specular, 35K, 80 CRI



# LTC-3SQDPH

LITEISTRY 3" SQUARE CYLINDER WITH POWERHUBB™

DATE: \_\_\_\_\_ LOCATION: \_\_\_\_\_

TYPE: \_\_\_\_\_ PROJECT: \_\_\_\_\_

CATALOG #: \_\_\_\_\_

## ORDERING GUIDE

Example: LTC-3SQDPH-P-15L35K9WD-PMC-SS-WH

CATALOG # \_\_\_\_\_

LTC-3SQDPH					
Aperture/Shape/Function	Cylinder Mounting	Lumen Output	CCT	CRI	Distribution
LTC-3SQDPH 3" Round Cylinder Downlight	<b>S</b> Surface <sup>3</sup> <b>W</b> Wall <sup>3</sup> <b>P</b> Pendant (18" Stem Standard) <sup>3</sup> <b>CM</b> Cable/Cord (6 ft. Cord Standard) <sup>3,4</sup>	<b>06L</b> 600 Lumens <b>10L</b> 1000 Lumens <b>15L</b> 1500 Lumens <b>20L</b> 2000 Lumens	<b>27K</b> 2700K <b>30K</b> 3000K <b>35K</b> 3500K <b>40K</b> 4000K <b>50K</b> 5000K <sup>1</sup>	<b>8</b> 80+ CRI <b>9</b> 90+ CRI	<b>VNR</b> Very Narrow (0.4 SC/24°) <sup>5</sup> <b>NR</b> Narrow (0.6 SC/38°) <b>MD</b> Medium (0.7 SC/48°) <b>WD</b> Wide (1.0 SC/62°) <b>XW</b> Extra Wide (1.2 SC/74°)

PowerHUBB Node	Reflector Finish	Reflector Color	Flange Color Options	Exterior Cylinder Color
<b>PM</b> PowerHUBB™, On/Off/1% Dim, Master	<i>Finish not applicable with painted reflectors (WC or BC)</i>	<i>Standard Clear</i>	<i>Standard matches reflector color</i>	<b>BA</b> Brushed Aluminum
<b>PMC</b> PowerHUBB™, On/Off/1% Dim, Control Inputs, Master	<b>S</b> Specular	<b>CG</b> Champagne Gold	<b>WT</b> White Flange <sup>2</sup>	<b>BZ</b> Bronze
<b>PS</b> PowerHUBB™, On/Off/1% Dim, Satellite	<b>SS</b> Semi-Specular	<b>LW</b> Light Wheat	<b>BT</b> Black Flange <sup>2</sup>	<b>BL</b> Matte Black
<b>PSC</b> PowerHUBB™, On/Off/1% Dim, Control Inputs, Satellite	<b>VS</b> Softglow®	<b>PW</b> Pewter		<b>WH</b> Matte White
	<b>VSS</b> SoftSheen™	<b>WC</b> Painted White Cone and Flange		<b>SVR</b> Silver
		<b>BC</b> Painted Black Cone and Flange		

Notes:

- 1 5000K available in 80+ CRI only.
- 2 WT not needed for WC, BT not needed for BC.
- 3 PowerHUBB nodes are remote mounted. See line art for important installation details.
- 4 CM standard cord color is Clear.
- 5 VNR available up to 15L. Not available with IC or CP options.



# LTC-3SQDPH

LITEISTRY 3" SQUARE CYLINDER WITH POWERHUBB™

## PERFORMANCE DATA TABLE

Performance data provided below is for 3500K, 80 CRI with Specular Clear reflector finish/color

Lumen Package	Nominal Lumens	Distribution	Delivered Lumens	Watts	LPW
06L	600	Very Narrow	635	7.9	81
		Narrow	714	7.8	92
		Medium	685	7.8	88
		Wide	656	7.8	84
		Extra Wide	614	7.8	79
10L	1000	Very Narrow	998	12.4	81
		Narrow	1149	11.9	97
		Medium	1103	11.9	93
		Wide	1056	11.9	89
		Extra Wide	988	11.9	83
15L	1500	Very Narrow	1348	18.2	74
		Narrow	1662	18.6	89
		Medium	1596	18.6	86
		Wide	1528	18.6	82
		Extra Wide	1429	18.6	77
20L	2000	Narrow	2060	25.0	82
		Medium	2018	25.0	81
		Wide	1975	25.0	79
		Extra Wide	1910	25.0	76

# LTC-3SQDPH

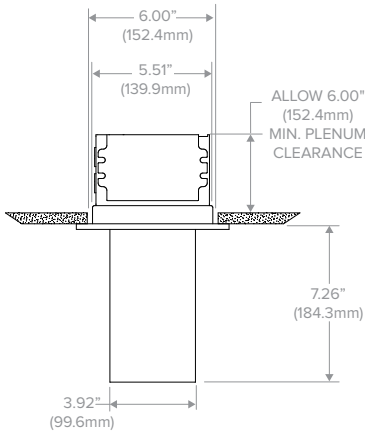
LITEISTRY 3" SQUARE CYLINDER WITH POWERHUBB™

DATE: \_\_\_\_\_ LOCATION: \_\_\_\_\_

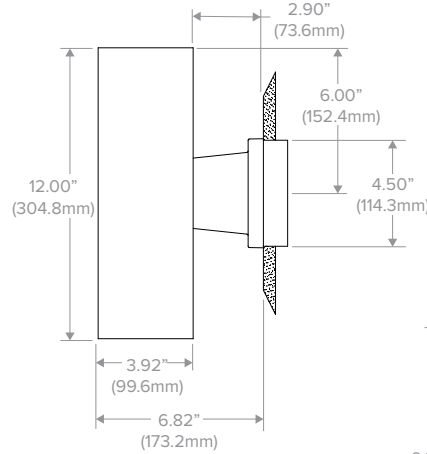
TYPE: \_\_\_\_\_ PROJECT: \_\_\_\_\_

CATALOG #: \_\_\_\_\_

## DIMENSIONS

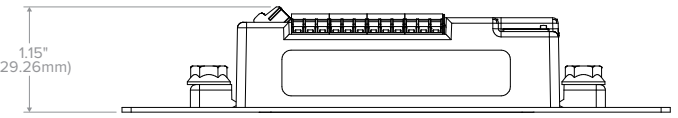
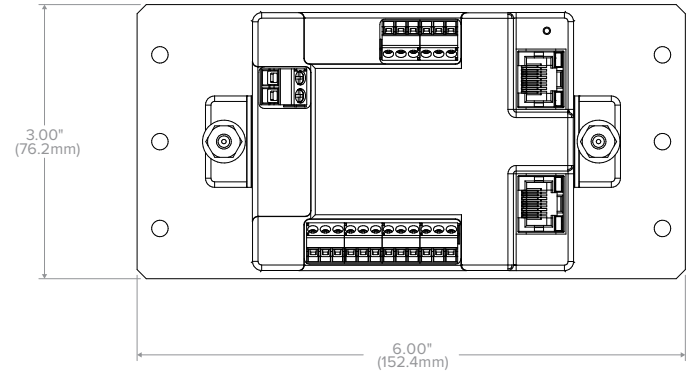


Surface



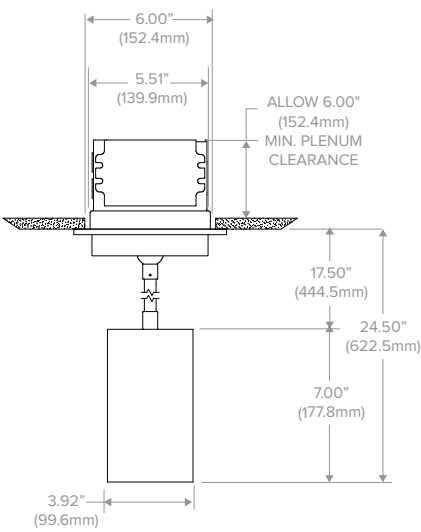
Wall

Remote Node Mounting	
Lumen Package	14 to 18 AWG Wire Size Max. Wire Length* (in feet)
06L	460
10L	275
15L	180
20L	140
* Measured from Node to LED module connection (Based on 1V drop)	

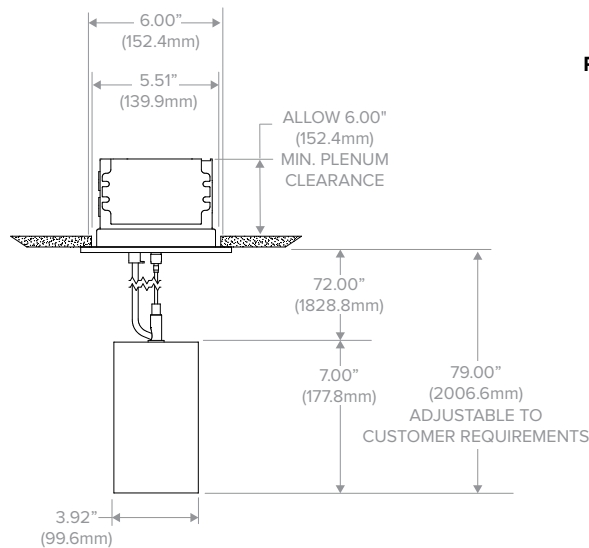


LTC3-W-PH

Remote Node Detail



Pendant



Cord

# LTC-3SQDPH

LITEISTRY 3" SQUARE CYLINDER WITH POWERHUBB™

## PHOTOMETRY

### LTC-3SQDPH-P-15L35K8VNR-PMC-S-BL

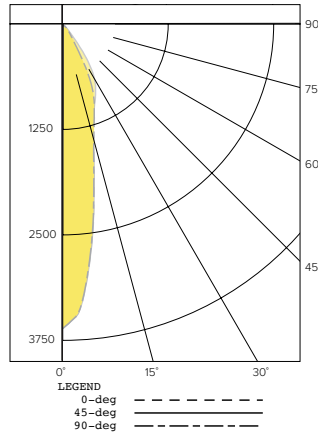
#### LUMINAIRE DATA

Test No.	R20.01196-C02
Description	1500 lm, Very Narrow, 3500K, 80 CRI
Delivered Lumens	1348
Watts	18.2W
Efficacy	74
Mounting	Pendant
Spacing Criterion	0.4
Beam Angle (FWHM)	24

#### ZONAL LUMEN SUMMARY

Zone	Lumens	% Luminaire
0-40	1243	92.2
0-60	1339	99.3
0-90	1348	100.0
0-180	1348	100.0

#### POLAR GRAPH



#### CANDELA DISTRIBUTION

Degree	Candela - 0	Candela - 45	Candela - 90
0	3611	3611	3611
5	3120	3115	3105
15	1431	1399	1415
25	809	915	818
35	191	492	188
45	78	97	78
55	26	28	27
65	5	6	6
75	2	2	2
85	1	1	1
90	0	0	0

### LTC-3SQDPH-P-20L35K8NR-PMC-S-BL

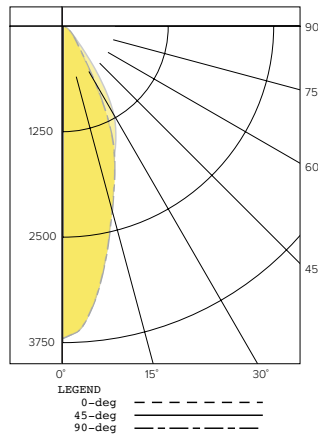
#### LUMINAIRE DATA

Test No.	R19.00953-02
Description	2000 lm, Narrow, 3500K, 80 CRI
Delivered Lumens	2060
Watts	25.0W
Efficacy	82.4
Mounting	Pendant
Spacing Criterion	0.6
Beam Angle (FWHM)	38

#### ZONAL LUMEN SUMMARY

Zone	Lumens	% Luminaire
0-40	1861	90.4
0-60	2045	99.3
0-90	2060	100.0
0-180	2060	100.0

#### POLAR GRAPH



#### CANDELA DISTRIBUTION

Degree	Candela - 0	Candela - 45	Candela - 90
0	3722	3722	3722
5	3454	3456	3462
15	2243	2200	2258
25	1270	1475	1294
35	338	738	350
45	151	180	157
55	53	57	60
65	7	9	7
75	3	4	3
85	1	1	1
90	0	0	0

### LTC-3SQDPH-P-20L35K8MD-PMC-S-BL

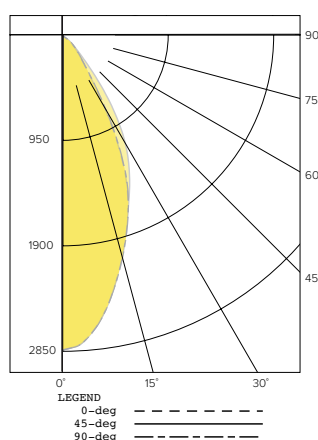
#### LUMINAIRE DATA

Test No.	R19.00954-02
Description	2000 lm, Medium, 3500K, 80 CRI
Delivered Lumens	2018
Watts	25.0W
Efficacy	80.7
Mounting	Pendant
Spacing Criterion	0.7
Beam Angle (FWHM)	48

#### ZONAL LUMEN SUMMARY

Zone	Lumens	% Luminaire
0-40	1799	89.2
0-60	2003	99.3
0-90	2018	100.0
0-180	2018	100.0

#### POLAR GRAPH



#### CANDELA DISTRIBUTION

Degree	Candela - 0	Candela - 45	Candela - 90
0	2842	2842	2842
5	2728	2727	2728
15	2080	2062	2083
25	1310	1432	1324
35	410	772	422
45	165	202	171
55	58	63	65
65	7	10	8
75	3	4	4
85	1	1	1
90	0	0	0

# LTC-3SQDPH

LITEISTRY 3" SQUARE CYLINDER WITH POWERHUB™

## PHOTOMETRY CONTINUED

### LTC-3SQDPH-P-20L35K8WD-PMC-S-BL

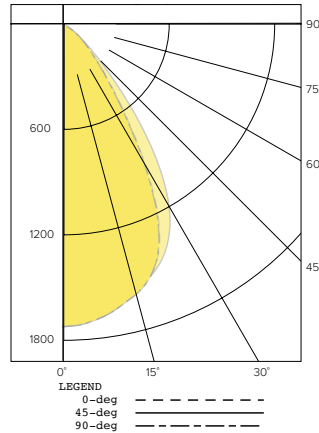
#### LUMINAIRE DATA

Test No.	R19.01044-02
Description	2000 lm, Wide, 3500K, 80 CRI
Delivered Lumens	1975
Watts	25.0W
Efficacy	78.9
Mounting	Pendant
Spacing Criterion	1.0
Beam Angle (FWHM)	62

#### ZONAL LUMEN SUMMARY

Zone	Lumens	% Luminaire
0-40	1671	96.3
0-60	1956	99.8
0-90	1975	100.0
0-180	1975	100.0

#### POLAR GRAPH



#### CANDELA DISTRIBUTION

Degree	Candela - 0	Candela - 45	Candela - 90
0	1730	1730	1730
5	1713	1711	1711
15	1605	1594	1602
25	1305	1403	1292
35	600	914	580
45	236	304	224
55	87	84	75
65	10	12	9
75	4	5	4
85	1	1	1
90	0	0	0

### LTC-3SQDPH-P-20L35K8XW-PMC-S-BL

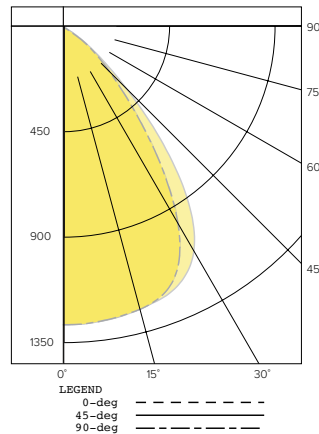
#### LUMINAIRE DATA

Test No.	R19.00956-02
Description	2000 lm, Extra Wide, 3500K, 80 CRI
Delivered Lumens	1910
Watts	25.0W
Efficacy	76.3
Mounting	Pendant
Spacing Criterion	1.2
Beam Angle (FWHM)	74

#### ZONAL LUMEN SUMMARY

Zone	Lumens	% Luminaire
0-40	1519	79.5
0-60	1889	98.9
0-90	1910	100.0
0-180	1910	100.0

#### POLAR GRAPH



#### CANDELA DISTRIBUTION

Degree	Candela - 0	Candela - 45	Candela - 90
0	1275	1275	1275
5	1273	1273	1273
15	1252	1253	1253
25	1149	1199	1150
35	740	944	735
45	307	412	301
55	102	108	92
65	11	14	10
75	5	5	5
85	1	1	1
90	0	0	0

#### LUMEN MULTIPLIER

Option	27K8	30K8	35K8	40K8	50K8	27K9	30K9	35K9	40K9
Multiplier	0.94	0.98	1.00	1.01	1.02	0.81	0.84	0.85	0.85

Photometrics are published below at a nominal 3500 Kelvin, 80+ CRI. This table may be used to approximate the lumen values at different Kelvin temperatures. Power consumption would stay the same.

# LTC-3SQDPH

LITEISTRY 3" SQUARE CYLINDER WITH POWERHUBB™

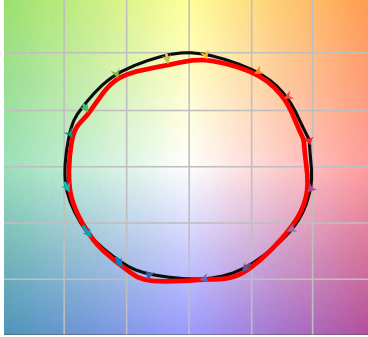
DATE: \_\_\_\_\_ LOCATION: \_\_\_\_\_

TYPE: \_\_\_\_\_ PROJECT: \_\_\_\_\_

CATALOG #: \_\_\_\_\_

## TM-30 DATA

COLOR VECTOR GRAPHIC  
3500K, 90 CRI



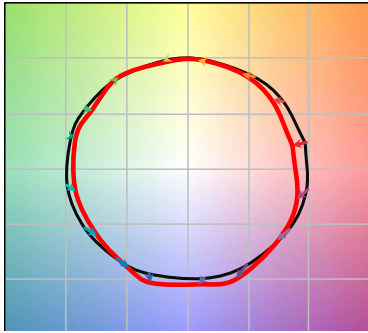
— Reference Illuminant — Test Source

COLOR DISTORTION GRAPHIC  
3500K, 90 CRI



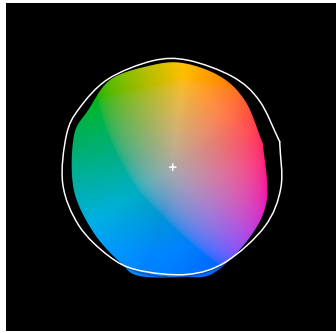
TEST RESULTS - 3500K		
Value	80+ CRI	90+ CRI
R <sub>t</sub>	84	88
R <sub>g</sub>	95	95
CCT (K)	3411	3419
D <sub>uv</sub>	0.0015	0.0042
x	0.4120	0.4147
y	0.3974	0.4052
CIE R <sub>a</sub>	84	93
CIE R <sub>g</sub>	11	62

COLOR VECTOR GRAPHIC  
3500K, 80 CRI



— Reference Illuminant — Test Source

COLOR DISTORTION GRAPHIC  
3500K, 80 CRI



## ELECTRICAL DATA

WATTAGE DATA		
Lumen Output	Nominal Lumens	WATTAGE
06L	600	8
10L	1000	12
15L	1500	19
20L	2000	25

\* Wattage may vary based on configuration and options selected

## ADDITIONAL INFORMATION

**PowerHUBB™** **POWERHUBB™**  
PoE LIGHTING & CONTROL

Hubbell Control Solutions' PowerHUBB™ is an enterprise-level Power over Ethernet (PoE) lighting and control platform that seamlessly integrates luminaires, sensors, user interfaces and software for a scalable intelligent building control solution.

See separate [PowerHUBB™ In-Fixture Solutions Guide](#) and [Hubbell Control Solutions PowerHUBB Brochure](#) for more details.