

# LTR-3SQWPH Lens

LITEISTRY 3" SQUARE LENSED WALL WASH WITH POWERHUBB™

LITEISTRY™

## FEATURES

- 3" architectural LED lensed wall wash delivering 600–2000 lm
- Provides smooth, uniform vertical illumination
- 2700K–5000K, 80+ and 90+ CRI options
- Available for New Construction (non-IC) and IC applications
- PowerHUBB™ enables low-voltage wired connectivity for Power over Ethernet (PoE) network system deployment



## RELATED PRODUCTS

- Ø 3" LITEISTRY Family
- Ø 4" LITEISTRY Family
- Ø 6" LITEISTRY Family

## CONTROL TECHNOLOGY



## SPECIFICATIONS

### CONSTRUCTION

- Standard Non-IC. IC option available.
- New Construction: Painted black durable steel platform with pre-installed bar hangers
- Pre-wired junction box with snap-on covers for easy access
- Snap-in connection from driver compartment allows easy installation

### OPTICS

- Reflector assembly with a satin diffuse acrylic lens
- Provides excellent uniformity down the wall
- The light distribution is free of distracting bright spots or pixelation and the perimeter has a smooth transition
- High purity four panel aluminum reflector, self-flanged
- Flush mount flange option with mud-in ring available

### OPTICS (CONTINUED)

- Large selection of anodized finishes and colors
- Painted cones and flange options available

### ELECTRICAL

- Chip-on-board (COB) LED with 2 SDCM
- Multiple CCTs, 80+ or 90+ CRI
- Long LED life: L90 at >55,000 hours (TM-21)
- PowerHUBB™ enables low-voltage wired connectivity for Power over Ethernet (PoE) network system deployment
- EMI Filtering (FCC 47 CFR Part 15) Class A

### INSTALLATION

- Accommodates ceiling thicknesses up to 1.25"
- New Construction: Universal adjustable mounting brackets also accept ½" EMT conduit or 1½" or ¾" lathing channel (by others) or Prescolite accessory bar hangers (B24 or B6)

### INSTALLATION (CONTINUED)

- Light engine fully serviceable from above or below the ceiling; PowerHUBB node is serviceable above ceiling only

### CERTIFICATIONS

- cCSAus certified to UL 2108
- Suitable for wet locations, covered ceiling. EMR: Suitable for damp locations.
- This product qualifies as a "designated country construction material" per FAR 52.225-11 Buy American-Construction. Materials under Trade Agreements effective 6/6/2020. See [Buy American Solutions](#).

### WARRANTY

- 5 year warranty
- See [HLI Standard Warranty](#) for additional information

KEY DATA	
Lumen Range	600–2000
Wattage Range	8–25
Efficacy Range (LPW)	96*
Life (Hours)	L90 / >55,000
Input Current (mA)	N/A

\*Based on Specular, 35K, 80 CRI



DATE: \_\_\_\_\_ LOCATION: \_\_\_\_\_

TYPE: \_\_\_\_\_ PROJECT: \_\_\_\_\_

CATALOG #: \_\_\_\_\_

# LTR-3SQWPH Lens

LITEISTRY 3" SQUARE LENSED WALL WASH WITH POWERHUBB™

## ORDERING GUIDE

**Example:** LTR-3SQDPH-H-SL10L-PMC-LTR-3SQW-T-SL35K8LWW-S

CATALOG #

### HOUSING

LTR-3SQDPH-H		Lumen Package		Lumen Output		PowerHUBB Node		Housing Options			
Aperture/Shape/Function											
LTR-3SQDPH-H	3" Square Downlight / Wall Wash New Construction Housing	SL	Standard Lumen	06L	600	PM	PowerHUBB™, On/Off/1% Dim, Master	IC	IC rated <sup>4</sup>		
				10L	1000						
				15L	1500						
		ML	Medium Lumen	20L	2000					PMC	PowerHUBB™, On/Off/1% Dim, Control Inputs, Master
				PS	PowerHUBB™, On/Off/1% Dim, Satellite						
						PSC	PowerHUBB™, On/ Off/1% Dim, Control Inputs, Satellite				

### TRIM

LTR-3SQW-T		Lumen Package		CCT		CRI		Distribution					
Aperture/Shape/Function													
LTR-3SQW-T	3" Square Wall Wash Light Engine/Trim Assembly	SL	Standard Lumen	27K	2700K	8	80+CRI	LWW	Lensed Wall Wash				
				ML	Medium Lumen					30K	3000K	9	90+CRI
										35K	3500K		
										40K	4000K		
										50K	5000K <sup>1</sup>		

### TRIM (CONTINUED)

Reflector Finish		Reflector Color		Flange Color Options		Reflector Options	
<i>Finish not applicable with painted reflectors (WC or BC)</i>		<i>Standard Clear</i>		<i>Standard matches reflector color</i>		AM Antimicrobial Coating <sup>3</sup>	
S	Specular	CG	Champagne Gold	WT	White Flange <sup>2</sup>		
		BL	Black	BT	Black Flange <sup>2</sup>		
		SS	Semi-Specular				
		VS	Softglow®				
		VSS	SoftSheen™				
		PW	Pewter				
		WC	Painted White Cone and Flange				
		BC	Painted Black Cone and Flange				

### Accessories

- B24** Set of two (2) 24" bar hangers for T-bar ceilings
- B6** Set of two bar hangers for ceiling joist up to 24" centers
- FMR3-SQ** Flush Mount Flange Mud-In Ring, 3" Square
- MOR3-SQ-WH** Metal Oversized Ring, 3" Square, White (6.75" outer dimension)
- MOR3-SQ-BL** Metal Oversized Ring, 3" Square, Black (6.75" outer dimension)

### Notes:

- 1 5000K available in 80+ CRI only.
- 2 WT not needed for WC, BT not needed for BC.
- 3 AM available with WC or Specular Clear (S or SWT). Consult factory for other colors.
- 4 IC available up to 15L.

# LTR-3SQWPH Lens

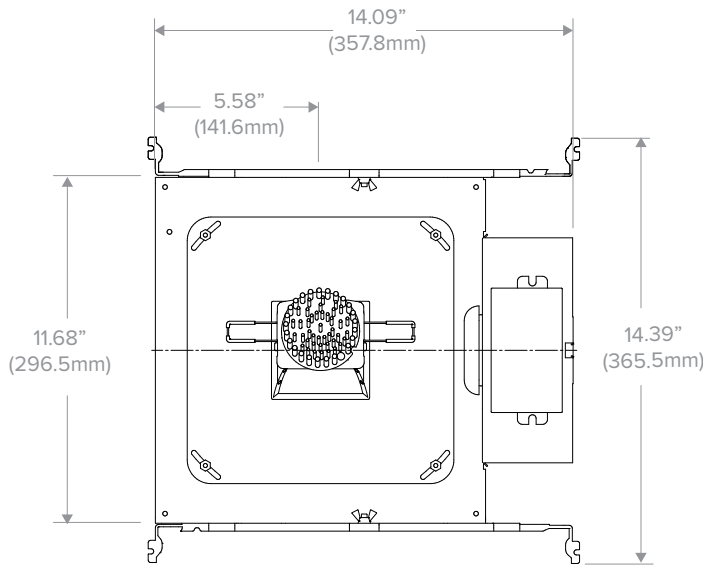
LITEISTRY 3" SQUARE LENSED WALL WASH WITH POWERHUBB™

DATE: \_\_\_\_\_ LOCATION: \_\_\_\_\_

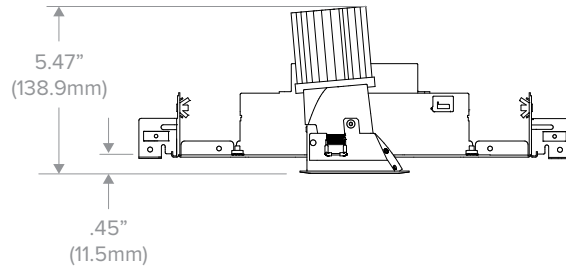
TYPE: \_\_\_\_\_ PROJECT: \_\_\_\_\_

CATALOG #: \_\_\_\_\_

## DIMENSIONS

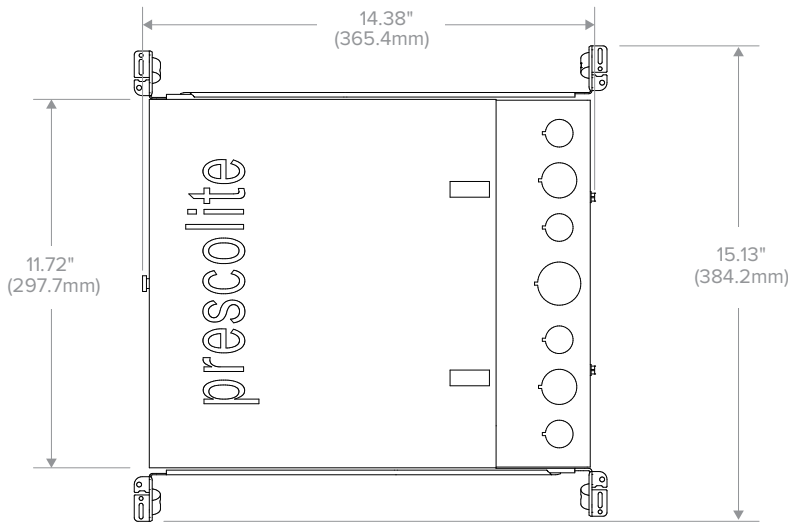


Top View

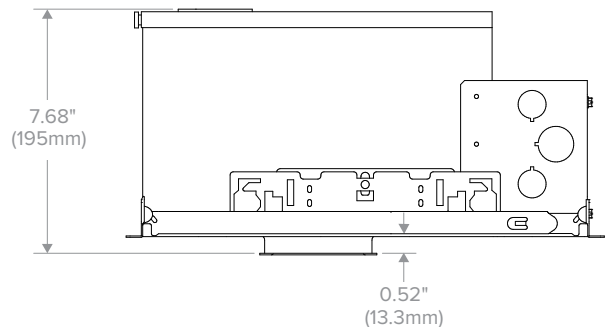


Dimensional Data		
Aperture		2.88" (73.2mm) SQ.
Flange	Standard	3.62" (91.9mm) SQ.
	Flush Mount	3.62" (91.9mm) SQ.
Ceiling Cutout	Standard	3.31" (84.1mm) SQ.
	Flush Mount	3.94" (100.1mm) SQ.
Ceiling Thickness		0.50" to 1.25" (12.7mm to 31.8mm)

LTR-3SQWPH Lens-H New Construction



Top View



Dimensional Data		
Aperture		2.88" (73.2mm) SQ.
Flange	Standard	3.62" (91.9mm) SQ.
	Flush Mount	3.62" (91.9mm) SQ.
Ceiling Cutout	Standard	3.31" (84.1mm) SQ.
	Flush Mount	3.94" (100.1mm) SQ.
Ceiling Thickness		0.50" to 1.25" (12.7mm to 31.8mm)

LTR-3SQWPH Lens-H IC

# LTR-3SQWPH Lens

LITEISTRY 3" SQUARE LENSED WALL WASH WITH POWERHUBB™

## PHOTOMETRY

### LTR-3SQDPH-H-ML20L-PMC / LTR-3SQW-T-ML35K8LWWS

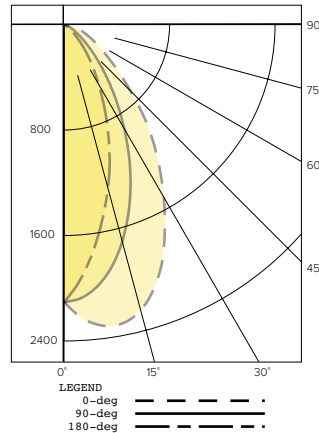
#### LUMINAIRE DATA

Test No.	R19.00982-01
Description	3" Lensed Wall-Wash; 2000lm 3500K, 80 CRI
Delivered Lumens	2242
Watts	23.5W
Efficacy	95.6
Mounting	Recessed

#### ZONAL LUMEN SUMMARY

Zone	Lumens	% Luminaire
0-40	1707	76.1
0-60	2150	95.9
0-90	2242	100.0
0-180	2242	100.0

#### POLAR GRAPH



#### CANDELA DISTRIBUTION

Degree	Candela
0	2114
5	2274
15	2250
25	1803
35	1233
45	708
55	367
65	194
75	85
85	0
90	0

#### LUMINANCE DATA\*

Vertical Angle	Average
45°	79596
55°	37884
65°	15593
75°	4129
85°	0

\*Candela/Square Meter

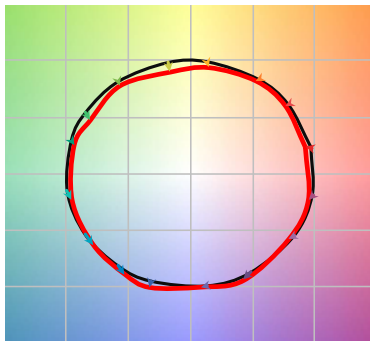
#### LUMEN MULTIPLIER

Option	27K8	30K8	35K8	40K8	50K8	27K9	30K9	35K9	40K9
Multiplier	0.94	0.98	1.00	1.01	1.02	0.81	0.84	0.85	0.85

Photometrics are published below at a nominal 3500 Kelvin, 80+ CRI. This table may be used to approximate the lumen values at different Kelvin temperatures. Power consumption would stay the same.

## TM-30 DATA

#### COLOR VECTOR GRAPHIC 3500K, 90 CRI



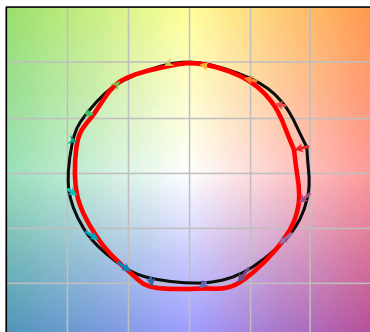
— Reference Illuminant — Test Source

#### COLOR DISTORTION GRAPHIC 3500K, 90 CRI



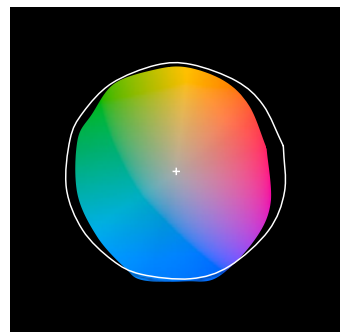
TEST RESULTS - 3500K		
Value	80+ CRI	90+ CRI
R <sub>i</sub>	84	88
R <sub>g</sub>	95	95
CCT (K)	3411	3419
D <sub>uv</sub>	0.0015	0.0042
x	0.4120	0.4147
y	0.3974	0.4052
CIE R <sub>a</sub>	84	93
CIE R <sub>g</sub>	11	62

#### COLOR VECTOR GRAPHIC 3500K, 80 CRI



— Reference Illuminant — Test Source

#### COLOR DISTORTION GRAPHIC 3500K, 80 CRI





DATE: \_\_\_\_\_ | LOCATION: \_\_\_\_\_

TYPE: \_\_\_\_\_ | PROJECT: \_\_\_\_\_

CATALOG #: \_\_\_\_\_

# LTR-3SQWPH Lens

LITEISTRY 3" SQUARE LENSED WALL WASH WITH POWERHUBB™

## ELECTRICAL DATA

WATTAGE DATA		
Lumen Output	Nominal Lumens	WATTAGE
06L	600	8
10L	1000	12
15L	1500	19
20L	2000	25

\* Wattage may vary based on configuration and options selected

## ADDITIONAL INFORMATION

**PowerHUBB™** POWERHUBB®  
POE LIGHTING & CONTROL

Hubbell Control Solutions' PowerHUBB™ is an enterprise-level Power over Ethernet (PoE) lighting and control platform that seamlessly integrates luminaires, sensors, user interfaces and software for a scalable intelligent building control solution.

See separate [PowerHUBB™ In-Fixture Solutions Guide](#) and [Hubbell Control Solutions PowerHUBB Brochure](#) for more details.

All product and company names, logos and product identifiers are trademarks™ or registered trademarks® of Hubbell Lighting, Inc. or their respective owners. Use of them does not necessarily imply any affiliation with or endorsement by such respective owners.