

LTC-4RDW

LITEISTRY 4" ROUND CYLINDER

LITEISTRY™

FEATURES

- 4" architectural LED downlight and wall wash cylinder delivering 600–4000 lm
- Five beam distributions from 0.3 to 1.2 Spacing Criteria
- Quiet reflector appearance with 50° optical cutoff
- 2700K–5000K, 80+ and 90+ CRI options
- Available in Surface, Wall, Pendant, or Cord Mount configurations
- Variety of dimming protocol options including 0–10V, DALI, DMX, Forward Phase and EcoSystem



RELATED PRODUCTS

∅ [LTC-3RDW SpectraSync](#) ∅ [LTC-3RDWPH PowerHUBB](#)

∅ [3" LITEISTRY Family](#) ∅ [4" LITEISTRY Family](#) ∅ [6" LITEISTRY Family](#)

CONTROL TECHNOLOGY



SPECIFICATIONS

CONSTRUCTION

- Seamless heavy gauge aluminum cylinder body with a clean appearance
- Select from 4 durable powder coat paint architectural finishes or Brushed Aluminum
- Available in Surface, Wall, Pendant, or Cable/Cord mounting options
- Wall Mount: One piece die cast aluminum mounting arm
- Pendant Mount: Swivel canopy allows sloped ceiling mounting up to 45 degrees
- Integral driver versions allow direct mounting to a standard 4" octagonal or square junction box
- Some configurations require remote mount driver assembly (see line art)

OPTICS

- Visually pleasing 50° cutoff to source and source image
- The light distribution is free of distracting bright spots or pixelation and the perimeter has a smooth transition
- Optical grade silicone lens integral to light engine
- High purity spun aluminum reflector, self-flanged
- Large selection of anodized finishes and colors
- Painted cones and flange options available

ELECTRICAL

- Chip-on-board (COB) LED with 2 SDCM
- Multiple CCTs, 80+ or 90+ CRI
- Long LED life: L90 at 55,000 (TM-21)
- Universal voltage 120V–277V driver, 347V optional
- UL Class 2, inherent short circuit and overload protection, RoHS compliant
- Flicker free 0-10V dimming with 1% or <1% performance
- DALI, DMX, and Lutron Forward Phase and EcoSystem options

INSTALLATION

- Light Engine/Trim assembly is mechanically secured with torsion springs for ease of installation
- A quick connect is provided for easy maintenance or upgrade
- Remote mount driver/jbox assembly requires 6" plenum clearance
- Remote driver is accessible from above or below the ceiling

CERTIFICATIONS

- cCSAus certified to UL 1598
- Wall Mount up to 30L: Suitable for wet locations
- Pendant Mount up to 30L: Suitable for wet locations under covered ceiling
- Surface, Cord Mount, all Wall Wash, and all 35L-40L: Suitable for damp locations
- This product qualifies as a "designated country construction material" per FAR 52.225-11 Buy American-Construction. Materials under Trade Agreements effective 6/6/2020. See [Buy American Solutions](#).

WARRANTY

- 5 year warranty
- See [HLI Standard Warranty](#) for additional information

| KEY DATA | |
|-----------------------|---------------|
| Lumen Range | 600-4000 |
| Wattage Range | 8-52 |
| Efficacy Range (LPW) | 90-99* |
| Reported Life (Hours) | L90 / >55,000 |
| Input Current (mA) | 67-433 (120V) |

*Based on Specular, 35K, 80 CRI



LTC-4RDW

LITEISTRY 4" ROUND CYLINDER

DATE: _____ LOCATION: _____

TYPE: _____ PROJECT: _____

CATALOG #: _____

ORDERING GUIDE

Example: LTC-4RD-P-15L35K9WD-DM1-SS-WH

CATALOG #

| LTC-4RD | | Aperture/Shape/Function | Cylinder Mounting | Lumen Output | CCT | CRI | Distribution |
|---------|-----------------------------|---|-------------------------------------|-------------------------------|------------------|--|--------------|
| LTC-4RD | 4" Round Downlight Cylinder | S Surface | 06L 600 Lumens | 27K 2700K | 8 80+ CRI | VNR Very Narrow (0.3 SC/20°) ⁹ | |
| LTC-4RW | 4" Round Wall Wash Cylinder | W Wall | 10L 1000 Lumens | 30K 3000K | 9 90+ CRI | NR Narrow (0.4 SC/29°) | |
| | | P Pendant (18" Stem Standard) | 15L 1500 Lumens | 35K 3500K | | MD Medium (0.7 SC/44°) | |
| | | CM Cable/Cord (6 ft. Cord Standard) ⁵ | 20L 2000 Lumens | 40K 4000K | | WD Wide (0.9 SC/61°) | |
| | | | 25L 2500 Lumens | 50K 5000K ¹ | | XW Extra Wide (1.2 SC/78°) | |
| | | | 30L 3000 Lumens | | | WW Wall Wash | |
| | | | 35L 3500 Lumens ⁸ | | | | |
| | | | 40L 4000 Lumens ⁸ | | | | |

| Driver Options ³ | Control Options | Voltage | Reflector Finish | Reflector Color | Flange Color Options |
|---|---|-------------------------------|---|---|---|
| DM1 0-10V Dimming to 1% ³ | NXE NX Enabled, Dual SmartPorts ^{2,3,7} | <i>Standard</i> 120-277V | <i>Finish not applicable with painted reflectors (WC or BC)</i> | <i>Standard Clear</i> | <i>Standard matches reflector color</i> |
| DM01 0-10V Dimming to <1% ³ | NXWE NX Wireless Enabled ^{2,3,7} | 34 347V ^{3,6} | S Specular | CG Champagne Gold | WT White Flange ⁴ |
| DMX DMX with RDM dimming to <0.1% ^{3,7} | NXWD NX Wireless Enabled, Dual SmartPorts ^{3,7} | | SS Semi-Specular | BL Black | BT Black Flange ⁴ |
| DALI DALI Dimming to 1% ³ | LV Lutron Vive Enabled, 0-10V (requires DM1 driver) ^{3,7} | | MFC American Matte™ | LW Light Wheat | |
| 2DM Lutron Hi-Lume 2-wire Dimming to 1% (120V Forward Phase only) ³ | LVE Lutron Vive Enabled, EcoSystem, (requires EDM) ^{3,7} | | VS Softglow® | PW Pewter | |
| EDM Lutron Hi-Lume EcoSystem Dimming to 1% ³ | | | VSS SoftSheen™ | WC Painted White Cone and Flange | |
| | | | | BC Painted Black Cone and Flange | |

Exterior Cylinder Color

- BA** Brushed Aluminum
- BZ** Bronze
- BL** Matte Black
- WH** Matte White
- SVR** Silver

Notes:

- 1 5000K available in 80+ CRI only.
- 2 NX requires DM1 driver option.
- 3 For lumen outputs/configurations available, see chart on page 3.
- 4 WT not needed for WC, BT not needed for BC.
- 5 CM standard cord color is Clear.
- 6 347V requires DM1 driver option; not available with Controls.
- 7 Controls not available with wall mount (W); S, P, CM with DMX or controls options require remote driver, see line art for details.
- 8 35L and 40L require vented cylinder.
- 9 VNR available up to 30L. Not available with IC or CP options.



LTC-4RDW

LITEISTRY 4" ROUND CYLINDER

DATE: _____ LOCATION: _____

TYPE: _____ PROJECT: _____

CATALOG #: _____

DRIVER/CONTROL OPTION AVAILABILITY

Driver and Control options listed below are available in the configurations and lumen packages as shown.

| Driver/Control Option | | Cylinder Mounting ¹ | Integral Remote Driver ¹ | 06L | 10L | 15L | 20L | 25L | 30L | 35L | 40L |
|-----------------------|-----------------------------|--------------------------------|-------------------------------------|-----|-----|-----|-----|-----|-----|-----|-----|
| DM1 | 0-10V 1% | W | Integral | ● | ● | ● | ● | ● | ● | ▼ | ▼ |
| | | S/P/CM | Integral | ● | ● | ● | ● | ● | ● | ▼ | ▼ |
| DM01 | 0-10V <1% | W | Integral | ● | ● | ● | ● | ● | | | |
| | | S/P/CM | Integral | ● | ● | ● | ● | ● | | | |
| DALI | DALI 1% | W | Integral | ● | ● | ● | ● | ● | | | |
| | | S/P/CM | Integral | ● | ● | ● | ● | ● | | | |
| DMX | DMX w/ RDM <0.1% | W | Integral | | ● | ● | ● | ● | ● | | |
| | | S/P/CM | Remote (IC Rated) | | ● | ● | | | | | |
| 2DM | Lutron Hi-Lume 2-wire 1% | W | Integral | | ● | ● | ● | | | | |
| | | S/P/CM | Integral | | ● | ● | ● | | | | |
| EDM | Lutron Hi-Lume EcoSystem 1% | W | Integral | | ● | ● | ● | | | | |
| | | S/P/CM | Integral | | ● | ● | ● | ● | | | |
| 347V ³ | 347 Volts (DM1 required) | W | Integral | | ● | ● | ● | ● | ● | ▼ | ▼ |
| | | S/P/CM | Integral | | ● | ● | ● | ● | ● | ▼ | ▼ |

| | | | | | | | | | | | |
|----------|-----------------------------|--------|-------------------|---|---|---|---|--|--|--|--|
| NX (All) | NX (DM1 required) | W | N/A | | | | | | | | |
| | | S/P/CM | Remote (Non-IC) | ● | ● | ● | ● | | | | |
| LV | Lutron Vive® (DM1 required) | W | N/A | | | | | | | | |
| | | S/P/CM | Remote (IC Rated) | ● | ● | ● | ● | | | | |
| LVE | Lutron Vive® (EDM required) | W | N/A | | | | | | | | |
| | | S/P/CM | Remote (Non-IC) | | ● | ● | ● | | | | |

▼ Vented cylinder required, see line art for more details.

1 See Cylinder Mounting chart for details.

2 See line art for more details.

3 Not available with Controls.

| Cylinder Mounting | |
|-------------------|------------------|
| W | Wall Mount |
| S | Surface Mount |
| CM | Cable/Cord Mount |
| P | Pendant Mount |

CONTROLS

NX Distributed Intelligence™ Lighting Controls:

Supports applications in a variety of deployment options- wired, wireless, hybrid. Integrates with and enables a wide array of luminaires including those with SpectraSync™ Color Tuning Technology.



| NX INTEGRATED CONTROLS REFERENCE | | | | | | | | |
|--------------------------------------|--------|-------------|------------|-----------|---------------------|---------------|----------------|---------------------------------|
| NX Option | Sensor | Networkable | Scheduling | Occupancy | Daylight Harvesting | 0-10V Dimming | On/off Control | Bluetooth® App Programming |
| NX Networked – Wired | | | | | | | | |
| NXE | N/A | Yes | Yes | No | No | Yes | Yes | Requires NXBTC/R ¹ |
| NX Networked – Wireless | | | | | | | | |
| NXWE ² | N/A | Yes | Yes | No | No | Yes | Yes | No ³ |
| NX Networked – Wired/Wireless | | | | | | | | |
| NXWD | N/A | Yes | Yes | No | No | Yes | Yes | Requires NXBTC/R ^{1,3} |

1 NXBTC/R needs to be plugged into an available NX SmartPort™ on the fixture network

2 Programming via App requires factory assistance

3 To program NXWE option, need to consult factory. If connected to an area controller, programming can be done from that



LTC-4RDW

LITEISTRY 4" ROUND CYLINDER

DATE: _____ LOCATION: _____

TYPE: _____ PROJECT: _____

CATALOG #: _____

PERFORMANCE DATA TABLE

Performance data provided below is for 3500K, 80 CRI with Specular Clear reflector finish/color

| Lumen Package | Nominal Lumens | Distribution | "Delivered Lumens" | Watts | LPW |
|---------------|----------------|-----------------------|--------------------|-------|-----|
| 06L | 600 | Very Narrow | 691 | 7.6 | 91 |
| | | Narrow | 785 | 7.8 | 101 |
| | | Medium | 726 | 7.8 | 93 |
| | | Wide | 664 | 7.8 | 85 |
| | | Extra Wide | 644 | 7.8 | 83 |
| | | Open Single Wall Wash | 620 | 7.8 | 79 |
| 10L | 1000 | Very Narrow | 1132 | 11.8 | 96 |
| | | Narrow | 1255 | 12.0 | 105 |
| | | Medium | 1160 | 12.0 | 97 |
| | | Wide | 1062 | 12.0 | 89 |
| | | Extra Wide | 1030 | 12.0 | 86 |
| | | Open Single Wall Wash | 991 | 12.0 | 83 |
| 15L | 1500 | Very Narrow | 1623 | 17.2 | 94 |
| | | Narrow | 1795 | 18.6 | 97 |
| | | Medium | 1660 | 18.6 | 89 |
| | | Wide | 1519 | 18.6 | 82 |
| | | Extra Wide | 1474 | 18.6 | 79 |
| | | Open Single Wall Wash | 1418 | 18.6 | 76 |
| 20L | 2000 | Very Narrow | 2032 | 22.4 | 91 |
| | | Narrow | 2238 | 22.5 | 99 |
| | | Medium | 2152 | 22.5 | 96 |
| | | Wide | 2059 | 22.5 | 92 |
| | | Extra Wide | 2028 | 22.5 | 90 |
| | | Open Single Wall Wash | 1989 | 22.7 | 87 |
| 25L | 2500 | Very Narrow | 2447 | 28.6 | 86 |
| | | Narrow | 2985 | 27.8 | 107 |
| | | Medium | 2760 | 27.8 | 99 |
| | | Wide | 2526 | 27.8 | 91 |
| | | Extra Wide | 2451 | 27.8 | 88 |
| | | Open Single Wall Wash | 2357 | 27.8 | 85 |
| 30L | 3000 | Very Narrow | 2855 | 35.9 | 80 |
| | | Narrow | 3583 | 34.6 | 104 |
| | | Medium | 3313 | 34.6 | 96 |
| | | Wide | 3032 | 34.6 | 88 |
| | | Extra Wide | 2941 | 34.6 | 85 |
| | | Open Single Wall Wash | 2829 | 34.6 | 82 |
| 35L | 3500 | Narrow | 4280 | 42.9 | 100 |
| | | Medium | 3957 | 42.9 | 92 |
| | | Wide | 3622 | 42.9 | 84 |
| | | Extra Wide | 3514 | 42.9 | 82 |
| | | Open Single Wall Wash | 3380 | 42.9 | 79 |
| 40L | 4000 | Narrow | 4885 | 51.5 | 95 |
| | | Medium | 4517 | 51.5 | 88 |
| | | Wide | 4134 | 51.5 | 80 |
| | | Extra Wide | 4011 | 51.5 | 78 |
| | | Open Single Wall Wash | 3858 | 51.5 | 75 |

LTC-4RDW

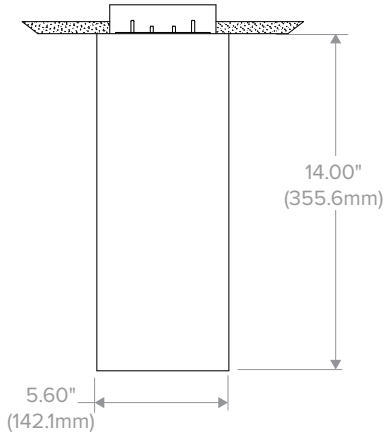
LITEISTRY 4" ROUND CYLINDER

DIMENSIONS

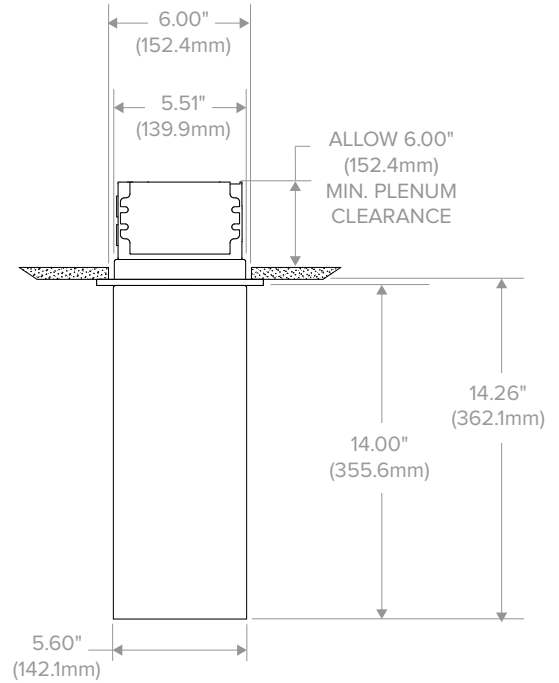
DATE: _____ LOCATION: _____

TYPE: _____ PROJECT: _____

CATALOG #: _____

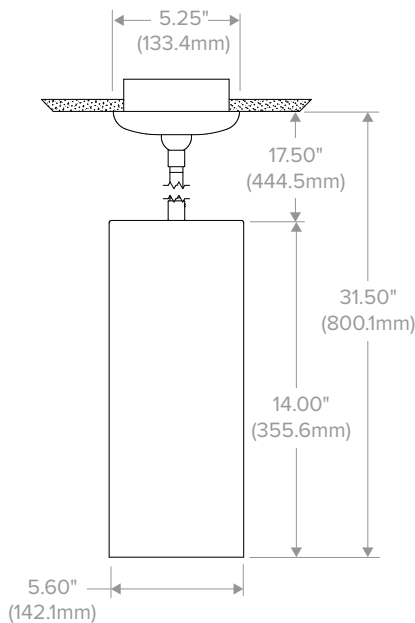


Integral Driver

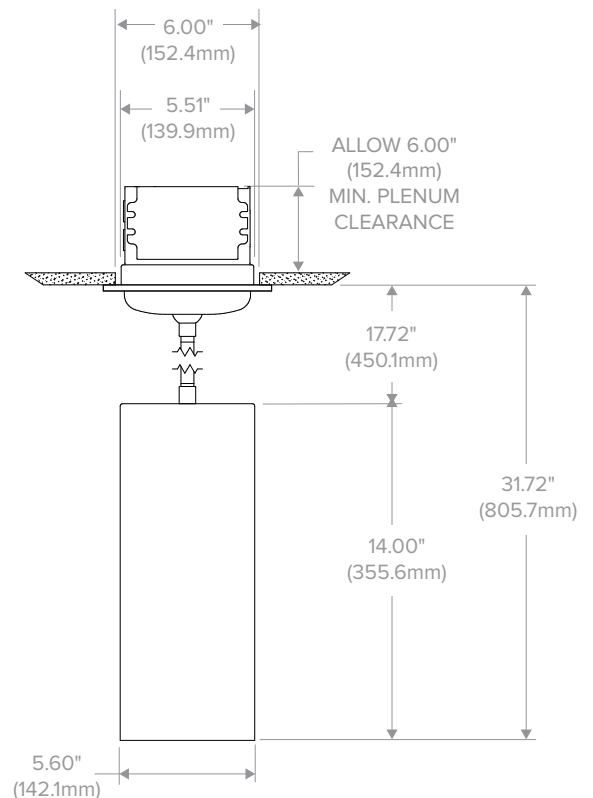


Remote Driver
For DMX, all NX or Lutron Vive Controls

Surface (-S)



Integral Driver



Remote Driver
For DMX, all NX or Lutron Vive Controls

Pendant (-P)

LTC-4RDW

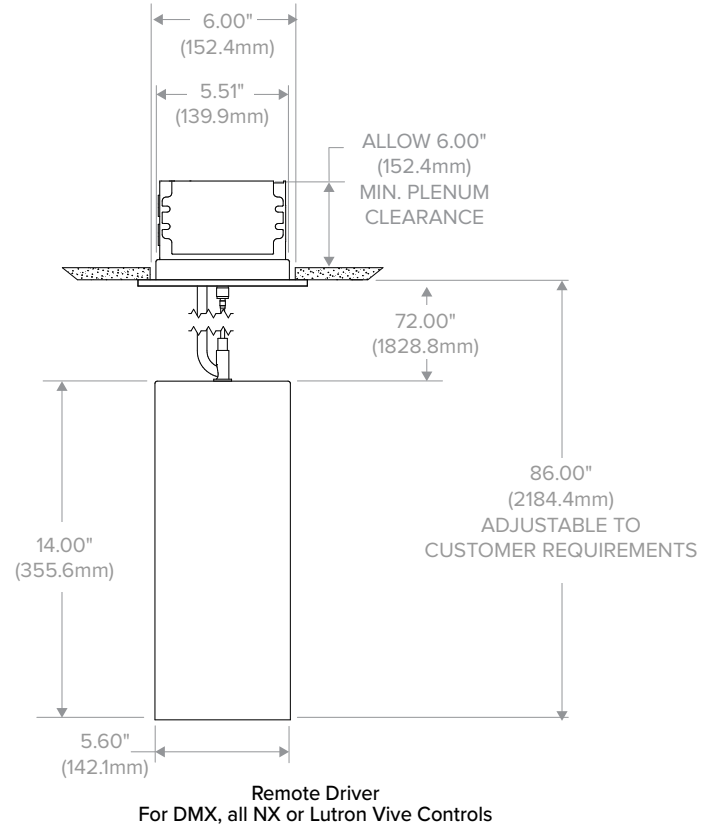
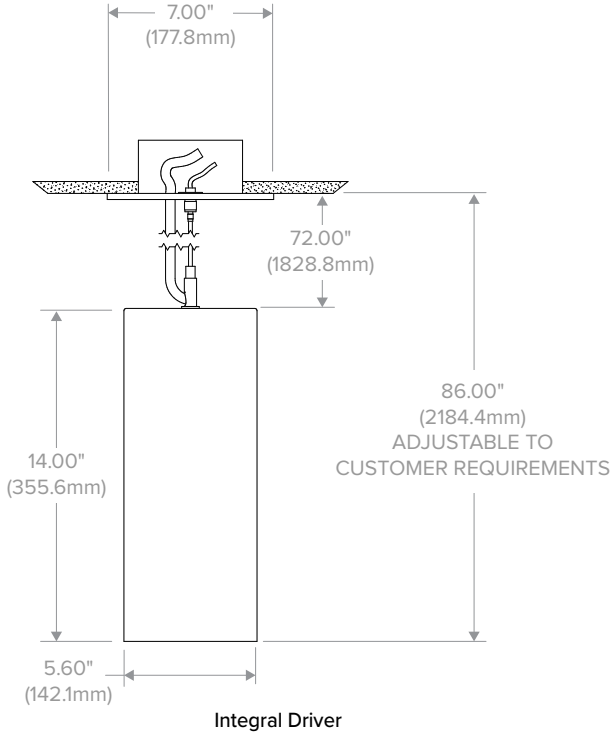
LITEISTRY 4" ROUND CYLINDER

DIMENSIONS CONTINUED

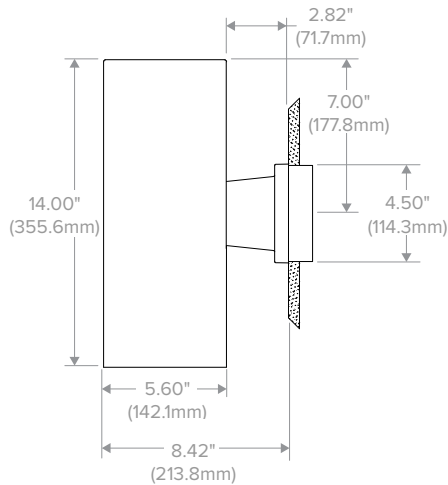
DATE: _____ LOCATION: _____

TYPE: _____ PROJECT: _____

CATALOG #: _____

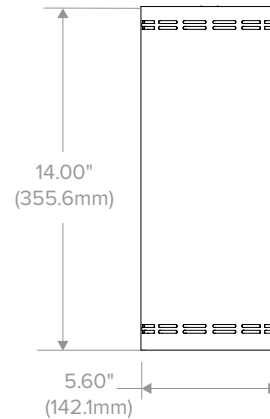


Cord (-CM)



Integral Driver

Wall (-W)



LTC-4RDW

LITEISTRY 4" ROUND CYLINDER

PHOTOMETRY

LTC-4RD-P-20L35K8VNR-DM1-S-BL

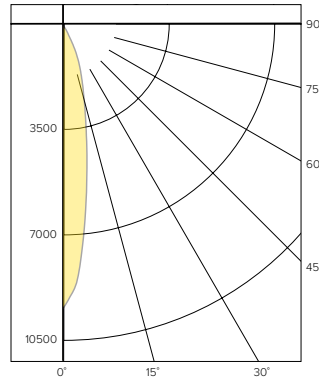
LUMINAIRE DATA

| | |
|-------------------|-------------------------------------|
| Test No. | R20.01331-C01 |
| Description | 2000 lm, Very Narrow, 3500K, 80 CRI |
| Delivered Lumens | 2032 |
| Watts | 22.4W |
| Efficacy | 91 |
| Mounting | Pendant |
| Spacing Criterion | 0.3 |
| Beam Angle (FWHM) | 20 |

ZONAL LUMEN SUMMARY

| Zone | Lumens | % Luminaire |
|-------|--------|-------------|
| 0-40 | 2011 | 99.0 |
| 0-60 | 2032 | 100.0 |
| 0-90 | 2032 | 100.0 |
| 0-180 | 2032 | 100.0 |

POLAR GRAPH



CANDELA DISTRIBUTION

| Degree | Candela |
|--------|---------|
| 0 | 9388 |
| 5 | 7360 |
| 15 | 2780 |
| 25 | 1073 |
| 35 | 198 |
| 45 | 20 |
| 55 | 0 |
| 65 | 0 |
| 75 | 0 |
| 85 | 0 |
| 90 | 0 |

LUMINANCE DATA*

| Vertical Angle | Average |
|----------------|---------|
| 45° | 3489 |
| 55° | 0 |
| 65° | 0 |
| 75° | 0 |
| 85° | 0 |

*Candela/Square Meter

LTC-4RD-P-20L35K8NR-DM1-S-BL

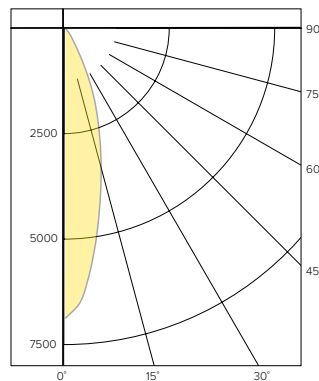
LUMINAIRE DATA

| | |
|-------------------|--------------------------------|
| Test No. | R19.00532-01 |
| Description | 2000 lm, Narrow, 3500K, 80 CRI |
| Delivered Lumens | 2238 |
| Watts | 22.5W |
| Efficacy | 99.3 |
| Mounting | Pendant |
| Spacing Criterion | 0.4 |
| Beam Angle (FWHM) | 29 |

ZONAL LUMEN SUMMARY

| Zone | Lumens | % Luminaire |
|-------|--------|-------------|
| 0-40 | 2208 | 98.6 |
| 0-60 | 2237 | 99.9 |
| 0-90 | 2238 | 100.0 |
| 0-180 | 2238 | 100.0 |

POLAR GRAPH



CANDELA DISTRIBUTION

| Degree | Candela |
|--------|---------|
| 0 | 6877 |
| 5 | 6035 |
| 15 | 3284 |
| 25 | 1313 |
| 35 | 260 |
| 45 | 26 |
| 55 | 3 |
| 65 | 1 |
| 75 | 0 |
| 85 | 0 |
| 90 | 0 |

LUMINANCE DATA*

| Vertical Angle | Average |
|----------------|---------|
| 45° | 4535 |
| 55° | 645 |
| 65° | 292 |
| 75° | 0 |
| 85° | 0 |

*Candela/Square Meter

LTC-4RD-P-20L35K8MD-DM1-S-BL

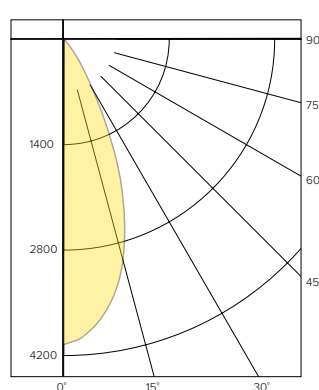
LUMINAIRE DATA

| | |
|-------------------|--------------------------------|
| Test No. | R19.00533-01 |
| Description | 2000 lm, Medium, 3500K, 80 CRI |
| Delivered Lumens | 2152 |
| Watts | 22.5W |
| Efficacy | 95.6 |
| Mounting | Pendant |
| Spacing Criterion | 0.7 |
| Beam Angle (FWHM) | 44 |

ZONAL LUMEN SUMMARY

| Zone | Lumens | % Luminaire |
|-------|--------|-------------|
| 0-40 | 2113 | 98.2 |
| 0-60 | 2151 | 99.9 |
| 0-90 | 2152 | 100.0 |
| 0-180 | 2152 | 100.0 |

POLAR GRAPH



CANDELA DISTRIBUTION

| Degree | Candela |
|--------|---------|
| 0 | 4053 |
| 5 | 3893 |
| 15 | 3037 |
| 25 | 1493 |
| 35 | 366 |
| 45 | 34 |
| 55 | 3 |
| 65 | 1 |
| 75 | 0 |
| 85 | 0 |
| 90 | 0 |

LUMINANCE DATA*

| Vertical Angle | Average |
|----------------|---------|
| 45° | 5931 |
| 55° | 645 |
| 65° | 292 |
| 75° | 0 |
| 85° | 0 |

*Candela/Square Meter

LTC-4RDW

LITEISTRY 4" ROUND CYLINDER

PHOTOMETRY CONTINUED

LTC-4RD-P-20L35K8WD-DM1-S-BL

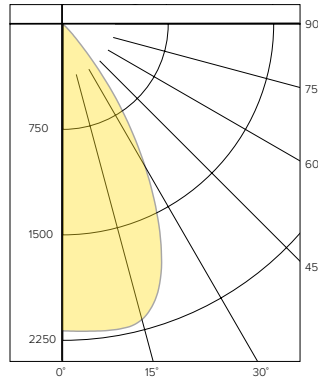
LUMINAIRE DATA

| | |
|-------------------|------------------------------|
| Test No. | R19.00534-01 |
| Description | 2000 lm, Wide, 3500K, 80 CRI |
| Delivered Lumens | 2059 |
| Watts | 22.5W |
| Efficacy | 91.6 |
| Mounting | Pendant |
| Spacing Criterion | 0.9 |
| Beam Angle (FWHM) | 61 |

ZONAL LUMEN SUMMARY

| Zone | Lumens | % Luminaire |
|-------|--------|-------------|
| 0-40 | 1983 | 96.3 |
| 0-60 | 2056 | 99.8 |
| 0-90 | 2059 | 100.0 |
| 0-180 | 2059 | 100.0 |

POLAR GRAPH



CANDELA DISTRIBUTION

| Degree | Candela |
|--------|---------|
| 0 | 2201 |
| 5 | 2210 |
| 15 | 2051 |
| 25 | 1504 |
| 35 | 692 |
| 45 | 169 |
| 55 | 10 |
| 65 | 3 |
| 75 | 1 |
| 85 | 0 |
| 90 | 0 |

LUMINANCE DATA*

| Vertical Angle | Average |
|----------------|---------|
| 45° | 11338 |
| 55° | 1075 |
| 65° | 584 |
| 75° | 477 |
| 85° | 0 |

*Candela/Square Meter

LTC-4RD-P-20L35K8XW-DM1-S-BL

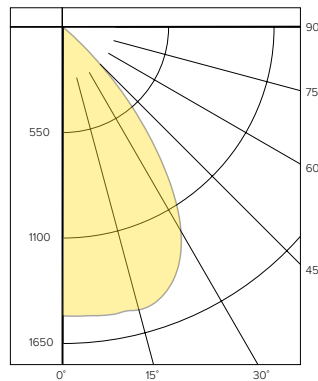
LUMINAIRE DATA

| | |
|-------------------|------------------------------------|
| Test No. | R19.00535-01 |
| Description | 2000 lm, Extra Wide, 3500K, 80 CRI |
| Delivered Lumens | 2028 |
| Watts | 22.5W |
| Efficacy | 90.2 |
| Mounting | Pendant |
| Spacing Criterion | 1.2 |
| Beam Angle (FWHM) | 78 |

ZONAL LUMEN SUMMARY

| Zone | Lumens | % Luminaire |
|-------|--------|-------------|
| 0-40 | 1794 | 88.5 |
| 0-60 | 2025 | 99.8 |
| 0-90 | 2028 | 100.0 |
| 0-180 | 2028 | 100.0 |

POLAR GRAPH



CANDELA DISTRIBUTION

| Degree | Candela |
|--------|---------|
| 0 | 1235 |
| 5 | 1252 |
| 15 | 1392 |
| 25 | 1454 |
| 35 | 1010 |
| 45 | 256 |
| 55 | 6 |
| 65 | 2 |
| 75 | 1 |
| 85 | 0 |
| 90 | 0 |

LUMINANCE DATA*

| Vertical Angle | Average |
|----------------|---------|
| 45° | 44656 |
| 55° | 1290 |
| 65° | 584 |
| 75° | 231 |
| 85° | 477 |

*Candela/Square Meter

LUMEN MULTIPLIER

| Option | 27K8 | 30K8 | 35K8 | 40K8 | 50K8 | 27K9 | 30K9 | 35K9 | 40K9 |
|------------|------|------|------|------|------|------|------|------|------|
| Multiplier | 0.94 | 0.98 | 1.00 | 1.01 | 1.02 | 0.81 | 0.84 | 0.85 | 0.85 |

Photometrics are published below at a nominal 3500 Kelvin, 80+ CRI. This table may be used to approximate the lumen values at different Kelvin temperatures. Power consumption would stay the same.

LTC-4RDW

LITEISTRY 4" ROUND CYLINDER

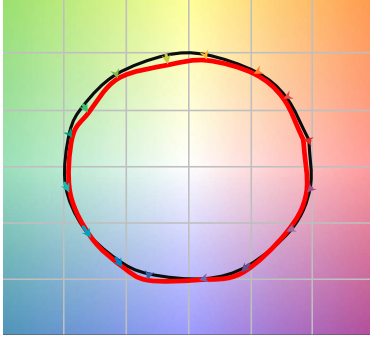
DATE: _____ LOCATION: _____

TYPE: _____ PROJECT: _____

CATALOG #: _____

TM-30 DATA

COLOR VECTOR GRAPHIC
3500K, 90 CRI



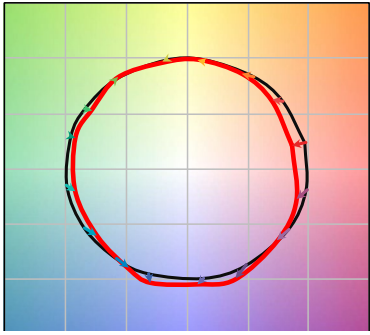
— Reference Illuminant — Test Source

COLOR DISTORTION GRAPHIC
3500K, 90 CRI



| TEST RESULTS - 3500K | | |
|----------------------|---------|---------|
| Value | 80+ CRI | 90+ CRI |
| R_t | 84 | 88 |
| R_g | 95 | 95 |
| CCT (K) | 3411 | 3419 |
| D_{uv} | 0.0015 | 0.0042 |
| x | 0.4120 | 0.4147 |
| y | 0.3974 | 0.4052 |
| CIE R_a | 84 | 93 |
| CIE R_g | 11 | 62 |

COLOR VECTOR GRAPHIC
3500K, 80 CRI



— Reference Illuminant — Test Source

COLOR DISTORTION GRAPHIC
3500K, 80 CRI





LTC-4RDW

LITEISTRY 4" ROUND CYLINDER

DATE: _____ LOCATION: _____

TYPE: _____ PROJECT: _____

CATALOG #: _____

ELECTRICAL DATA

| DRIVER DATA | | |
|------------------------------------|-----------|----------|
| Input Voltage | 120-277 V | 347 V |
| Input Frequency | 50/60 Hz | 50/60 Hz |
| Power Factor | ≥0.90 | ≥0.90 |
| THD | <20% | <20% |
| EMI Filtering (FCC 47 CFR Part 15) | Class A | Class A |

* Values for DM1 option shown, values for other dimming options may vary.

| WATTAGE DATA | | |
|--------------|----------------|---------|
| Lumen Output | Nominal Lumens | Wattage |
| 06L | 600 | 8 |
| 10L | 1000 | 12 |
| 15L | 1500 | 19 |
| 20L | 2000 | 23 |
| 25L | 2500 | 28 |
| 30L | 3000 | 35 |
| 35L | 3500 | 43 |
| 40L | 4000 | 52 |

* Wattage may vary based on configuration and options selected

ADDITIONAL INFORMATION

| DIMMING COMPATIBILITY CHART | | |
|-----------------------------|---|---|
| Dimming Driver | Manufacturer | Web Link |
| DM1 /DM01 | Lutron DTVT | http://bit.ly/11jSvZg |
| DM1 | Leviton AWRMG-7xx, AWSMG-7xx, AWSMT-7xx | http://bit.ly/1BjN2R9 |
| EDM | Lutron | http://bit.ly/1vtjHAI |
| 2DM | Lutron | http://bit.ly/1S4WjXK |

DMX

See instruction sheet on www.prescolite.com for connection & installation information.

Central Inverters

For full fixture output in back-up mode, we recommend you visit www.dual-lite.com for your Central Lighting Inverter options. Please contact your local Hubbell representative for any assistance with proper sizing and loading of your inverter selection. Central lighting inverters must be ordered separately.

LiteGear: www.dual-lite.com/products/litegear_lg_series

LPS Series: www.dual-lite.com/products/lps

ENERGY STAR® Certified Models

For a list of certified models, click on the ENERGY STAR® MODELS link or visit www.energystar.gov.

All product and company names, logos and product identifiers are trademarks ™ or registered trademarks ® of Hubbell Lighting, Inc. or their respective owners. Use of them does not necessarily imply any affiliation with or endorsement by such respective owners.