

# LTC-4RDWPH

LITEISTRY 4" ROUND CYLINDER WITH POWERHUBB™

## LITEISTRY™

### FEATURES

- 4" architectural LED downlight and wall wash cylinder delivering 600–2000 lm
- Five beam distributions from 0.3 to 1.2 Spacing Criteria
- Quiet reflector appearance with 50° optical cutoff
- 2700K–5000K, 80+ and 90+ CRI options
- Available in Surface, Wall, Pendant, or Cord Mount configurations
- PowerHUBB™ enables low-voltage wired connectivity for Power over Ethernet (PoE) network system deployment



(Select Models)

### RELATED PRODUCTS

- [Ø 3" LITEISTRY Family](#)    
 [Ø 4" LITEISTRY Family](#)    
 [Ø 6" LITEISTRY Family](#)

### CONTROL TECHNOLOGY



### SPECIFICATIONS

#### CONSTRUCTION

- Seamless heavy gauge aluminum cylinder body with a clean appearance
- Select from 4 durable powder coat paint architectural finishes or Brushed Aluminum
- Available in Surface, Wall, Pendant, or Cable/Cord mounting options
- Wall Mount: One piece die cast aluminum mounting arm
- Pendant Mount: Swivel canopy allows sloped ceiling mounting up to 45 degrees
- Wall Mount driver is integral in cylinder
- For S, CM, P: Remote mount driver assembly (see line art)

#### OPTICS

- Visually pleasing 50° cutoff to source and source image
- The light distribution is free of distracting bright spots or pixelation and the perimeter has a smooth transition
- Optical grade silicone lens integral to light engine
- High purity spun aluminum reflector, self-flanged
- Large selection of anodized finishes and colors
- Painted cones and flange options available

#### ELECTRICAL

- Chip-on-board (COB) LED with 2 SDCM
- Multiple CCTs, 80+ or 90+ CRI
- Long LED life: L90 at >55,000 (TM-21)
- PowerHUBB™ enables low-voltage wired connectivity for Power over Ethernet (PoE) network system deployment
- EMI Filtering (FCC 47 CFR Part 15) Class A

#### INSTALLATION

- Light Engine/Trim assembly is mechanically secured with torsion springs for ease of installation
- A quick connect is provided for easy maintenance or upgrade
- Remote mount driver/jbox assembly requires 6" plenum clearance (Non-IC rated)
- Remote driver is accessible from above or below the ceiling

#### CERTIFICATIONS

- cCSAus certified to UL 2108
- Wall Mount: Suitable for wet locations
- Pendant Mount: Suitable for wet locations under covered ceiling
- Surface, Cord Mount, and all Wall Wash: Suitable for damp locations
- This product qualifies as a “designated country construction material” per FAR 52.225-11 Buy American-Construction. Materials under Trade Agreements effective 6/6/2020. See [Buy American Solutions](#).

#### WARRANTY

- 5 year warranty
- See [HLI Standard Warranty](#) for additional information

KEY DATA	
Lumen Range	600-2000
Wattage Range	8-23
Efficacy Range (LPW)	90-99*
Reported Life (Hours)	L90 / >55,000
Input Current (mA)	N/A

\*Based on Specular, 35K, 80 CRI



# LTC-4RDWPH

LITEISTRY 4" ROUND CYLINDER WITH POWERHUBB™

DATE: \_\_\_\_\_ LOCATION: \_\_\_\_\_

TYPE: \_\_\_\_\_ PROJECT: \_\_\_\_\_

CATALOG #: \_\_\_\_\_

## ORDERING GUIDE

Example: LTC-4RDPH-P-15L35K9WD-PMC-SS-WH

CATALOG #

LTC-4RDPH		Cylinder Mounting		Lumen Output		CCT		CRI		Distribution	
Aperture/Shape/Function											
LTC-4RDPH	4" Round Downlight Cylinder	<b>S</b>	Surface	<b>06L</b>	600 Lumens	<b>27K</b>	2700K	<b>8</b>	80+ CRI	<b>VNR</b>	Very Narrow (0.3 SC/20°) <sup>4</sup>
LTC-4RWPH	4" Round Wall Wash Cylinder	<b>W</b>	Wall	<b>10L</b>	1000 Lumens	<b>30K</b>	3000K	<b>9</b>	90+ CRI	<b>NR</b>	Narrow (0.4 SC/29°)
		<b>P</b>	Pendant (18" Stem Standard)	<b>15L</b>	1500 Lumens	<b>35K</b>	3500K			<b>MD</b>	Medium (0.7 SC/44°)
		<b>CM</b>	Cable/Cord (6 ft. Cord Standard) <sup>3</sup>	<b>20L</b>	2000 Lumens	<b>40K</b>	4000K			<b>WD</b>	Wide (0.9 SC/61°)
						<b>50K</b>	5000K <sup>1</sup>			<b>XW</b>	Extra Wide (1.2 SC/78°)
										<b>WW</b>	Wall Wash

PowerHUBB Node		Reflector Finish		Reflector Color		Flange Color Options		Exterior Cylinder Color	
<b>PM</b>	PowerHUBB™, On/Off/1% Dim, Master	<i>Finish not applicable with painted reflectors (WC or BC)</i>		<i>Standard Clear</i>		<i>Standard matches reflector color</i>		<b>BA</b>	Brushed Aluminum
<b>PMC</b>	PowerHUBB™, On/Off/1% Dim, Control Inputs, Master	<b>S</b>	Specular	<b>CG</b>	Champagne Gold	<b>WT</b>	White Flange <sup>2</sup>	<b>BZ</b>	Bronze
<b>PS</b>	PowerHUBB™, On/Off/1% Dim, Satellite	<b>SS</b>	Semi-Specular	<b>BL</b>	Black	<b>BT</b>	Black Flange <sup>2</sup>	<b>BL</b>	Matte Black
<b>PSC</b>	PowerHUBB™, On/Off/1% Dim, Control Inputs, Satellite	<b>MFC</b>	American Matte™	<b>LW</b>	Light Wheat			<b>WH</b>	Matte White
		<b>VS</b>	Softglow®	<b>PW</b>	Pewter			<b>SVR</b>	Silver
		<b>VSS</b>	SoftSheen™	<b>WC</b>	Painted White Cone and Flange				
				<b>BC</b>	Painted Black Cone and Flange				

- Notes:
- 1 5000K available in 80+ CRI only.
  - 2 WT not needed for WC, BT not needed for BC.
  - 3 CM standard cord color is Clear.
  - 4 VNR available up to 20L. Not available with IC or CP options.



# LTC-4RDWPH

LITEISTRY 4" ROUND CYLINDER WITH POWERHUBB™

DATE: \_\_\_\_\_ LOCATION: \_\_\_\_\_

TYPE: \_\_\_\_\_ PROJECT: \_\_\_\_\_

CATALOG #: \_\_\_\_\_

## PERFORMANCE DATA TABLE

Performance data provided below is for 3500K, 80 CRI with Specular Clear reflector finish/color

Lumen Package	Nominal Lumens	Distribution	"Delivered Lumens"	Watts	LPW
06L	600	Very Narrow	691	7.6	91
		Narrow	785	7.8	101
		Medium	726	7.8	93
		Wide	664	7.8	85
		Extra Wide	644	7.8	83
		Open Single Wall Wash	620	7.8	79
10L	1000	Very Narrow	1132	11.8	96
		Narrow	1255	12.0	105
		Medium	1160	12.0	97
		Wide	1062	12.0	89
		Extra Wide	1030	12.0	86
		Open Single Wall Wash	991	12.0	83
15L	1500	Very Narrow	1623	17.2	94
		Narrow	1795	18.6	97
		Medium	1660	18.6	89
		Wide	1519	18.6	82
		Extra Wide	1474	18.6	79
		Open Single Wall Wash	1418	18.6	76
20L	2000	Very Narrow	2032	22.4	91
		Narrow	2238	22.5	99
		Medium	2152	22.5	96
		Wide	2059	22.5	92
		Extra Wide	2028	22.5	90
		Open Single Wall Wash	1989	22.7	87

# LTC-4RDWPH

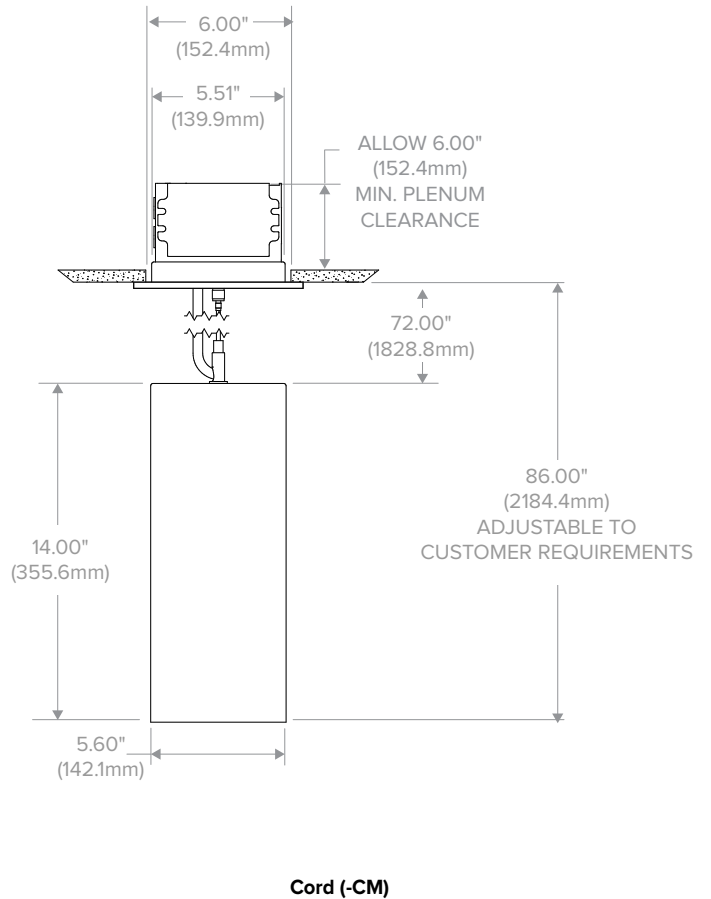
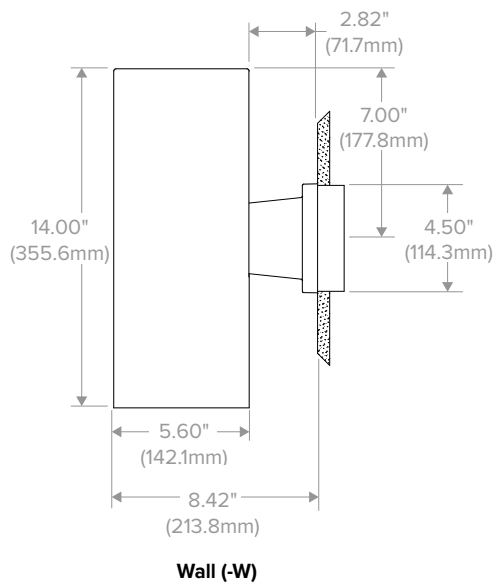
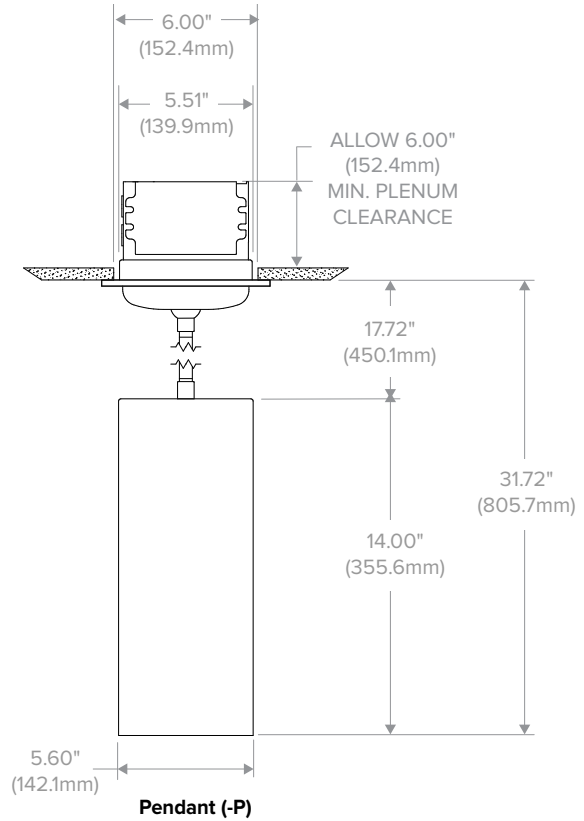
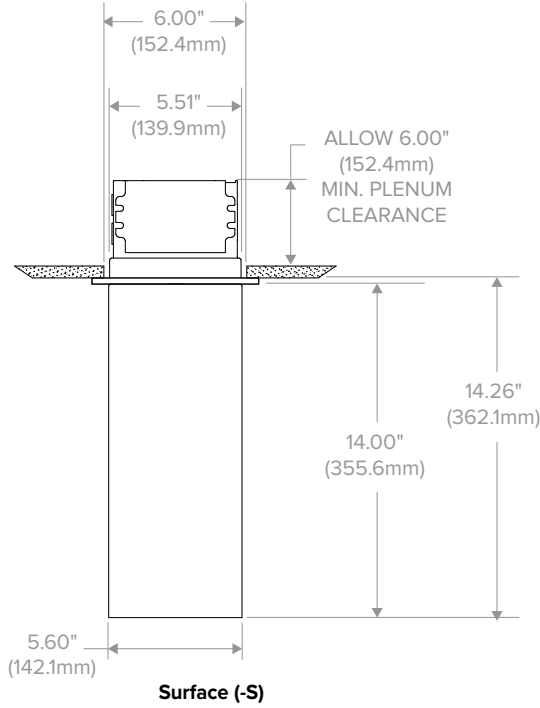
LITEISTRY 4" ROUND CYLINDER WITH POWERHUB™

DATE: \_\_\_\_\_ LOCATION: \_\_\_\_\_

TYPE: \_\_\_\_\_ PROJECT: \_\_\_\_\_

CATALOG #: \_\_\_\_\_

## DIMENSIONS



# LTC-4RDWPH

LITEISTRY 4" ROUND CYLINDER WITH POWERHUB™

## PHOTOMETRY

### LTC-4RDPH-P-20L35K8VNR-PMC-S-BL

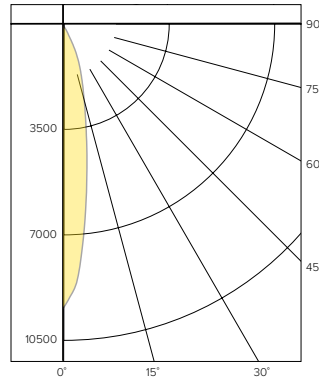
#### LUMINAIRE DATA

Test No.	R20.01331-C02
Description	2000 lm, Very Narrow, 3500K, 80 CRI
Delivered Lumens	2032
Watts	22.4W
Efficacy	91
Mounting	Pendant
Spacing Criterion	0.3
Beam Angle (FWHM)	20

#### ZONAL LUMEN SUMMARY

Zone	Lumens	% Luminaire
0-40	2011	99.0
0-60	2032	100.0
0-90	2032	100.0
0-180	2032	100.0

#### POLAR GRAPH



#### CANDELA DISTRIBUTION

Degree	Candela
0	9388
5	7360
15	2780
25	1073
35	198
45	20
55	0
65	0
75	0
85	0
90	0

#### LUMINANCE DATA\*

Vertical Angle	Average
45°	3489
55°	0
65°	0
75°	0
85°	0

\*Candela/Square Meter

### LTC-4RDPH-P-20L35K8NR-PMC-S-BL

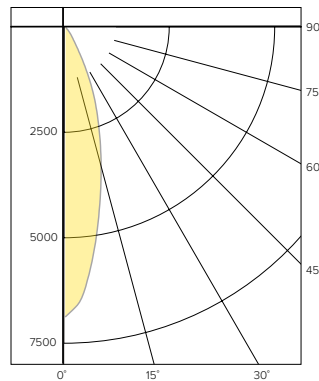
#### LUMINAIRE DATA

Test No.	R19.00532-02
Description	2000 lm, Narrow, 3500K, 80 CRI
Delivered Lumens	2238
Watts	22.5W
Efficacy	99.3
Mounting	Pendant
Spacing Criterion	0.4
Beam Angle (FWHM)	29

#### ZONAL LUMEN SUMMARY

Zone	Lumens	% Luminaire
0-40	2208	98.6
0-60	2237	99.9
0-90	2238	100.0
0-180	2238	100.0

#### POLAR GRAPH



#### CANDELA DISTRIBUTION

Degree	Candela
0	6877
5	6035
15	3284
25	1313
35	260
45	26
55	3
65	1
75	0
85	0
90	0

#### LUMINANCE DATA\*

Vertical Angle	Average
45°	4535
55°	645
65°	292
75°	0
85°	0

\*Candela/Square Meter

### LTC-4RDPH-P-20L35K8MD-PMC-S-BL

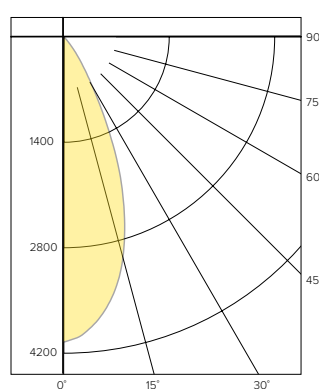
#### LUMINAIRE DATA

Test No.	R19.00533-02
Description	2000 lm, Medium, 3500K, 80 CRI
Delivered Lumens	2152
Watts	22.5W
Efficacy	95.6
Mounting	Pendant
Spacing Criterion	0.7
Beam Angle (FWHM)	44

#### ZONAL LUMEN SUMMARY

Zone	Lumens	% Luminaire
0-40	2113	98.2
0-60	2151	99.9
0-90	2152	100.0
0-180	2152	100.0

#### POLAR GRAPH



#### CANDELA DISTRIBUTION

Degree	Candela
0	4053
5	3893
15	3037
25	1493
35	366
45	34
55	3
65	1
75	0
85	0
90	0

#### LUMINANCE DATA\*

Vertical Angle	Average
45°	5931
55°	645
65°	292
75°	0
85°	0

\*Candela/Square Meter

# LTC-4RDWPH

LITEISTRY 4" ROUND CYLINDER WITH POWERHUB™

## PHOTOMETRY CONTINUED

### LTC-4RDPH-P-20L35K8WD-PMC-S-BL

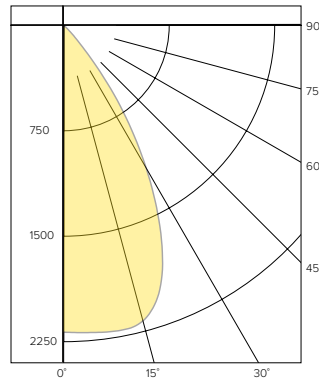
#### LUMINAIRE DATA

Test No.	R19.00534-02
Description	2000 lm, Wide, 3500K, 80 CRI
Delivered Lumens	2059
Watts	22.5W
Efficacy	91.6
Mounting	Pendant
Spacing Criterion	0.9
Beam Angle (FWHM)	61

#### ZONAL LUMEN SUMMARY

Zone	Lumens	% Luminaire
0-40	1983	96.3
0-60	2056	99.8
0-90	2059	100.0
0-180	2059	100.0

#### POLAR GRAPH



#### CANDELA DISTRIBUTION

Degree	Candela
0	2201
5	2210
15	2051
25	1504
35	692
45	169
55	10
65	3
75	1
85	0
90	0

#### LUMINANCE DATA\*

Vertical Angle	Average
45°	11338
55°	1075
65°	584
75°	477
85°	0

\*Candela/Square Meter

### LTC-4RDPH-P-20L35K8XW-PMC-S-BL

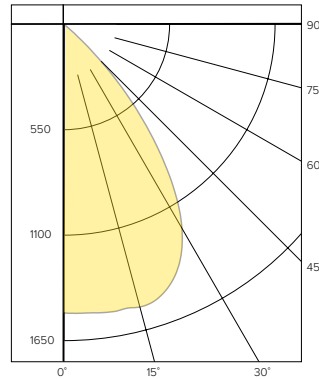
#### LUMINAIRE DATA

Test No.	R19.00535-02
Description	2000 lm, Extra Wide, 3500K, 80 CRI
Delivered Lumens	2028
Watts	22.5W
Efficacy	90.2
Mounting	Pendant
Spacing Criterion	1.2
Beam Angle (FWHM)	78

#### ZONAL LUMEN SUMMARY

Zone	Lumens	% Luminaire
0-40	1794	88.5
0-60	2025	99.8
0-90	2028	100.0
0-180	2028	100.0

#### POLAR GRAPH



#### CANDELA DISTRIBUTION

Degree	Candela
0	1235
5	1252
15	1392
25	1454
35	1010
45	256
55	6
65	2
75	1
85	0
90	0

#### LUMINANCE DATA\*

Vertical Angle	Average
45°	44656
55°	1290
65°	584
75°	231
85°	477

\*Candela/Square Meter

#### LUMEN MULTIPLIER

Option	27K8	30K8	35K8	40K8	50K8	27K9	30K9	35K9	40K9
Multiplier	0.94	0.98	1.00	1.01	1.02	0.81	0.84	0.85	0.85

Photometrics are published below at a nominal 3500 Kelvin, 80+ CRI. This table may be used to approximate the lumen values at different Kelvin temperatures. Power consumption would stay the same.

# LTC-4RDWPH

LITEISTRY 4" ROUND CYLINDER WITH POWERHUBB™

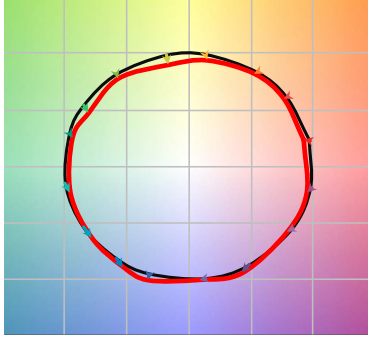
DATE: \_\_\_\_\_ LOCATION: \_\_\_\_\_

TYPE: \_\_\_\_\_ PROJECT: \_\_\_\_\_

CATALOG #: \_\_\_\_\_

## TM-30 DATA

COLOR VECTOR GRAPHIC  
3500K, 90 CRI



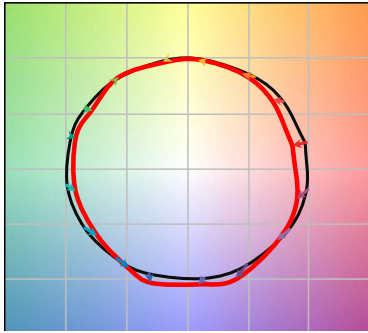
— Reference Illuminant — Test Source

COLOR DISTORTION GRAPHIC  
3500K, 90 CRI



TEST RESULTS - 3500K		
Value	80+ CRI	90+ CRI
R <sub>t</sub>	84	88
R <sub>g</sub>	95	95
CCT (K)	3411	3419
D <sub>uv</sub>	0.0015	0.0042
x	0.4120	0.4147
y	0.3974	0.4052
CIE R <sub>a</sub>	84	93
CIE R <sub>g</sub>	11	62

COLOR VECTOR GRAPHIC  
3500K, 80 CRI



— Reference Illuminant — Test Source

COLOR DISTORTION GRAPHIC  
3500K, 80 CRI



## ELECTRICAL DATA

WATTAGE DATA		
Lumen Output	Nominal Lumens	Wattage
06L	600	8
10L	1000	12
15L	1500	19
20L	2000	23

\* Wattage may vary based on configuration and options selected

## ADDITIONAL INFORMATION

**PowerHUBB™** **POWERHUBB™**  
POE LIGHTING & CONTROL

Hubbell Control Solutions' PowerHUBB™ is an enterprise-level Power over Ethernet (PoE) lighting and control platform that seamlessly integrates luminaires, sensors, user interfaces and software for a scalable intelligent building control solution.

See separate [PowerHUBB™ In-Fixture Solutions Guide](#) and [Hubbell Control Solutions PowerHUBB Brochure](#) for more details.

All product and company names, logos and product identifiers are trademarks ™ or registered trademarks ® of Hubbell Lighting, Inc. or their respective owners. Use of them does not necessarily imply any affiliation with or endorsement by such respective owners.