

LTR-4RWPH Lens

LITEISTRY 4" ROUND LENSED WALL WASH WITH POWERHUBB™

LITEISTRY™

FEATURES

- 4" architectural LED lensed wall wash delivering 600–4000 lm
- Provides smooth, uniform vertical illumination
- 2700K–5000K, 80+ and 90+ CRI options
- Available for New Construction (non-IC) and IC applications
- PowerHUBB™ enables low-voltage wired connectivity for Power over Ethernet (PoE) network system deployment



RELATED PRODUCTS

- Ø 3" LITEISTRY Family
- Ø 4" LITEISTRY Family
- Ø 6" LITEISTRY Family

CONTROL TECHNOLOGY



SPECIFICATIONS

CONSTRUCTION

- Standard Non-IC. IC option available.
- New Construction: Painted black durable steel platform with pre-installed bar hangers
- Pre-wired junction box with snap-on covers for easy access
- Snap-in connection from driver compartment allows easy installation
- Light Engine connections use plenum rated (CMP) cable

OPTICS

- Provides excellent uniformity down the wall
- The light distribution is free of distracting bright spots or pixelation and the perimeter has a smooth transition
- High purity spun aluminum reflector, self-flanged
- Flush mount flange option with mud-in ring available
- Large selection of anodized finishes and colors
- Painted cones and flange options available

ELECTRICAL

- Chip-on-board (COB) LED with 2 SDCM
- Multiple CCTs, 80+ or 90+ CRI
- Long LED life: L90 at 55,000 hours (TM-21)
- PowerHUBB™ enables low-voltage wired connectivity for Power over Ethernet (PoE) network system deployment
- EMI Filtering (FCC 47 CFR Part 15) Class A
- Light engine/ PowerHUBB node fully serviceable from above or below the ceiling

INSTALLATION

- Accommodates ceiling thickness up to 1.25"
- Universal adjustable mounting brackets also accept 0.50" EMT conduit or 1.50" or 0.75" lathing channel (by others) or Prescolite accessory bar hangers (B24 or B6)

CERTIFICATIONS

- cCSAus certified to UL 2108
- Suitable for wet locations, covered ceiling. EMR: Suitable for damp locations.
- This product qualifies as a "designated country construction material" per FAR 52.225-11 Buy American-Construction. Materials under Trade Agreements effective 6/6/2020. See [Buy American Solutions](#).

WARRANTY

- 5 year warranty
- See [HLI Standard Warranty](#) for additional information

KEY DATA	
Lumen Range	600-4000
Wattage Range	8-52
Efficacy Range (LPW)	81*
Reported Life (Hours)	L90 / >55,000
Input Current (mA)	N/A

*Based on Specular, 35K, 80 CRI



DATE: _____ LOCATION: _____

TYPE: _____ PROJECT: _____

CATALOG #: _____

LTR-4RWPH Lens

LITEISTRY 4" ROUND LENSED WALL WASH WITH POWERHUBB™

ORDERING GUIDE

Example: LTR-4RDPH-H-SL10L-PMC-LTR-4RW-T-SL35K8LWW-S

CATALOG # _____

HOUSING

LTR-4RDPH-H		Lumen Package		Lumen Output		Driver Options		Housing Options	
Aperture/Shape/Function									
LTR-4RDPH-H	4" Round Downlight / Wall Wash New Construction Housing	SL	Standard Lumen	06L	600	PM	PowerHUBB™, On/Off/1% Dim, Master	IC	IC rated ⁴
				10L	1000				
				15L	1500				
		ML	Medium Lumen	20L	2000				
				25L	2500				
				30L	3000				
		HL	High Lumen	35L	3500			PSC	PowerHUBB™, On/Off/1% Dim, Control Inputs, Master
				40L	4000				

TRIM

LTR-4RW-T		Lumen Package		CCT		CRI		Distribution	
Aperture/Shape/Function									
LTR-4RW-T	4" Round Wall Wash Light Engine/Trim Assembly	SL	Standard Lumen	27K	2700K	8	80+ CRI	LWW	Lensed Wall Wash
		ML	Medium Lumen	30K	3000K	9	90+ CRI		
		HL	High Lumen	35K	3500K				
				40K	4000K				
				50K	5000K ¹				

TRIM CONTINUED

Reflector Finish		Reflector Color		Flange Color Options		Lower Trim Options		Reflector Options	
<i>Finish not applicable with painted reflectors (WC or BC)</i>		<i>Standard Clear</i>		<i>Standard matches reflector color</i>		FM	Flush Mount Mud-in Ring ⁵	AM	Antimicrobial Coating ³
S	Specular	CG	Champagne Gold	WT	White Flange ²				
SS	Semi-Specular	BL	Black	BT	Black Flange ²				
MFC	American Matte™	LW	Light Wheat						
VS	Softglow®	PW	Pewter						
VSS	SoftSheen™	WC	Painted White Cone and Flange						
		BC	Painted Black Cone and Flange						

Accessories

- B24** Set of two (2) 24" bar hangers for T-bar ceilings
- B6** Set of two bar hangers for ceiling joist up to 24" centers
- FMR4-R** Flush Mount Flange Mud-In Ring, 4" Round
- MOR4-R-WH** Metal Oversized Ring, 4" Round, White (8.25" outside diameter)
- MOR4-R-BL** Metal Oversized Ring, 4" Round, Black (8.25" outside diameter)

Notes:

- 1 5000K available in 80+ CRI only.
- 2 WT not needed for WC, BT not needed for BC.
- 3 AM available with WC or Specular Clear (S or SWT). Consult factory for other colors.
- 4 IC available up to 20L.
- 5 Flush Mount Flange (FM) requires FMR accessory (sold separately).

LTR-4RWPH Lens

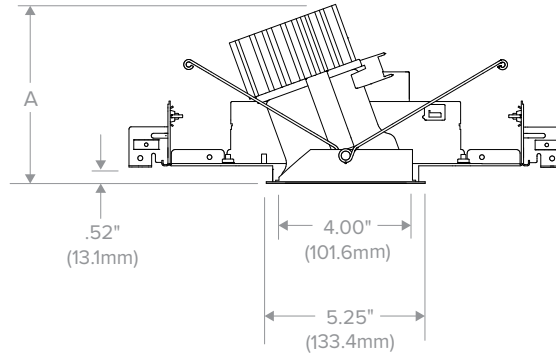
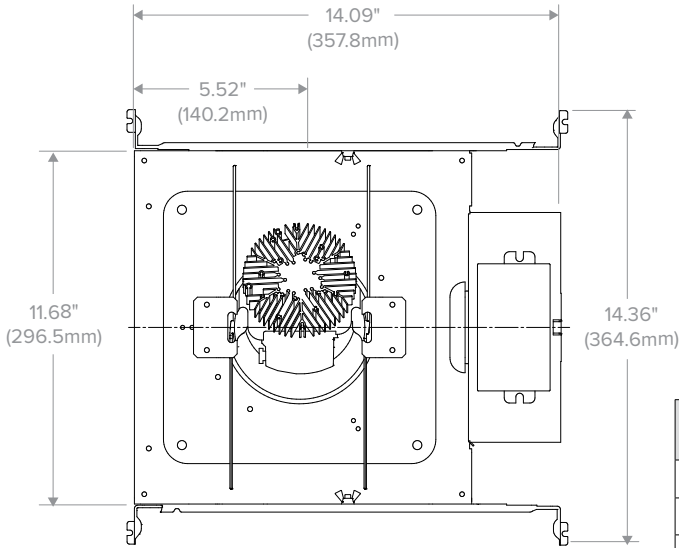
LITEISTRY 4" ROUND LENSED WALL WASH WITH POWERHUBB™

DATE: _____ LOCATION: _____

TYPE: _____ PROJECT: _____

CATALOG #: _____

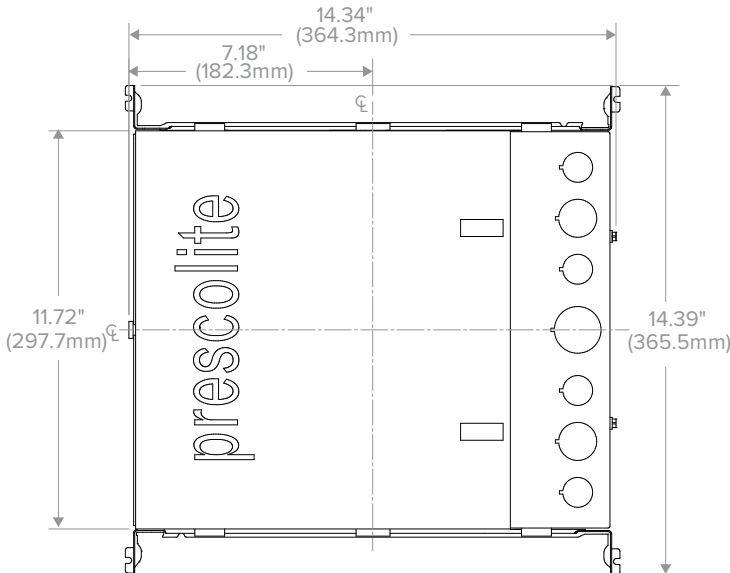
DIMENSIONS



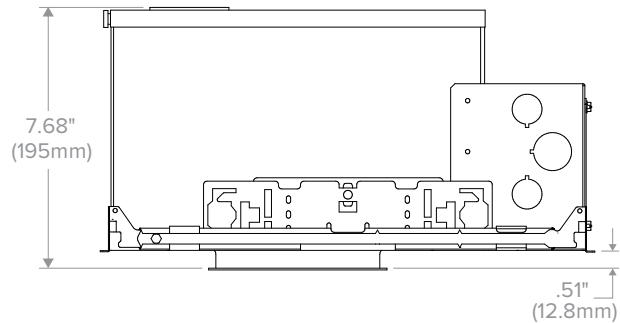
Lumen Package	"A"
06L-15L	4.75" (120.7mm)
20L-30L	5.86" (148.8mm)
35L-40L	6.97" (177mm)

Dimensional Data		
Aperture		4.00" (101.6mm)
Flange:	Standard	5.25" (133.4mm)
	Flush Mount	4.50" (114.3mm)
Ceiling Cutout:	Standard	5.00" (127.0mm)
	Flush Mount	5.12" (130.0mm)
Ceiling Thickness:		0.50" to 1.25" (12.7mm to 31.8mm)

LTR-4RWPH LENS-H



Top View



Dimensional Data		
Aperture		4.00" (101.6mm)
Flange:	Standard	5.25" (133.4mm)
	Flush Mount	4.50" (114.3mm)
Ceiling Cutout:	Standard	5.00" (127.0mm)
	Flush Mount	5.12" (130.0mm)
Ceiling Thickness:		0.50" to 1.25" (12.7mm to 31.8mm)

LTR-4RWPH LENS - H IC

LTR-4RWPH Lens

LITEISTRY 4" ROUND LENSED WALL WASH WITH POWERHUBB™

PHOTOMETRY

LTR-4RDPH-H-ML20L-PMC / LTR-4RW-T-ML35K8LWWS

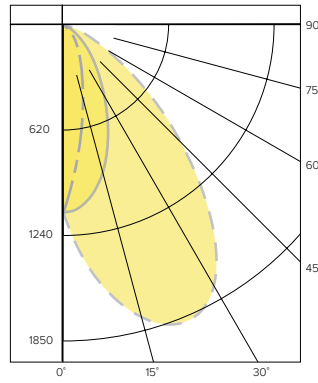
LUMINAIRE DATA

Test No.	R19.00821-01
Description	4" Lensed Wall-Wash; 2000lm 3500K, 80 CRI
Delivered Lumens	1833
Watts	22.6W
Efficacy	81.2
Mounting	Recessed

ZONAL LUMEN SUMMARY

Zone	Lumens	% Luminaire
0-40	1272	69.4
0-60	1745	95.2
0-90	1833	100.0
0-180	1833	100.0

POLAR GRAPH



CANDELA DISTRIBUTION

Degree	Candela
0	1241
5	1556
15	2003
25	2112
35	1754
45	1102
55	537
65	208
75	65
85	0
90	0

LUMINANCE DATA*

Vertical Angle	Average
45°	180755
55°	108587
65°	57083
75°	29128
85°	0

*Candela/Square Meter

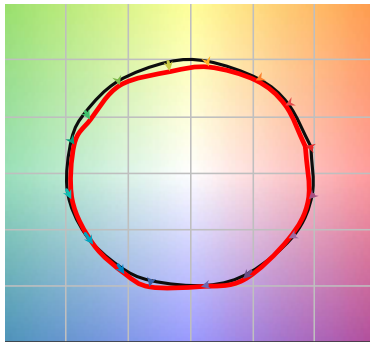
LUMEN MULTIPLIER

Option	27K8	30K8	35K8	40K8	50K8	27K9	30K9	35K9	40K9
Multiplier	0.94	0.98	1.00	1.01	1.02	0.81	0.84	0.85	0.85

Photometrics are published below at a nominal 3500 Kelvin, 80+ CRI. This table may be used to approximate the lumen values at different Kelvin temperatures. Power consumption would stay the same.

TM-30 DATA

COLOR VECTOR GRAPHIC 3500K, 90 CRI



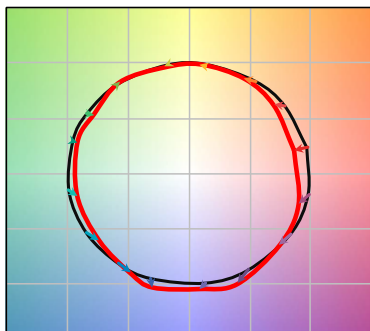
— Reference Illuminant — Test Source

COLOR DISTORTION GRAPHIC 3500K, 90 CRI



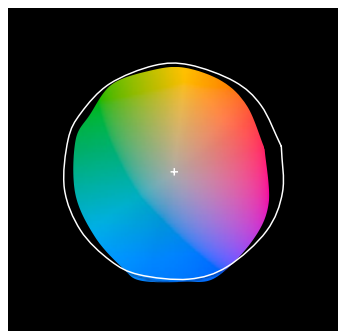
TEST RESULTS - 3500K		
Value	80+ CRI	90+ CRI
R _f	84	88
R _g	95	95
CCT (K)	3411	3419
D _{uv}	0.0015	0.0042
x	0.4120	0.4147
y	0.3974	0.4052
CIE R _a	84	93
CIE R _g	11	62

COLOR VECTOR GRAPHIC 3500K, 80 CRI



— Reference Illuminant — Test Source

COLOR DISTORTION GRAPHIC 3500K, 80 CRI





DATE: _____ LOCATION: _____

TYPE: _____ PROJECT: _____

CATALOG #: _____

LTR-4RWPH Lens

LITEISTRY 4" ROUND LENSED WALL WASH WITH POWERHUBB™

ELECTRICAL DATA

WATTAGE DATA		
Lumen Output	Nominal Lumens	Wattage
06L	600	8
10L	1000	12
15L	1500	19
20L	2000	23
25L	2500	28
30L	3000	35
35L	3500	43
40L	4000	52

* Wattage may vary based on configuration and options selected

ADDITIONAL INFORMATION

PowerHUBB™ POWERHUBB™
PoE LIGHTING & CONTROL

Hubbell Control Solutions' PowerHUBB™ is an enterprise-level Power over Ethernet (PoE) lighting and control platform that seamlessly integrates luminaires, sensors, user interfaces and software for a scalable intelligent building control solution.

See separate [PowerHUBB™ In-Fixture Solutions Guide](#) and [Hubbell Control Solutions PowerHUBB Brochure](#) for more details.